

MAXFLAM 30 AB  
MAXFLAM 50 AB



**Technical data**  
**Dati tecnici**  
**Données techniques**  
**Datos técnicos**  
**Технические характеристики**



**Operating instructions**  
**Istruzioni per l'uso**  
**Notice d'emploi**  
**Manual de uso**  
**Руководство по эксплуатации**



**Electric diagrams**  
**Schemi elettrico**  
**Schémas électrique**  
**Esquemas eléctrico**  
**Электрические схемы**



**Spare parts list**  
**Parti ricambi**  
**Pièces de rechange**  
**Piezas de recambio**  
**Запчасти**



420010537801

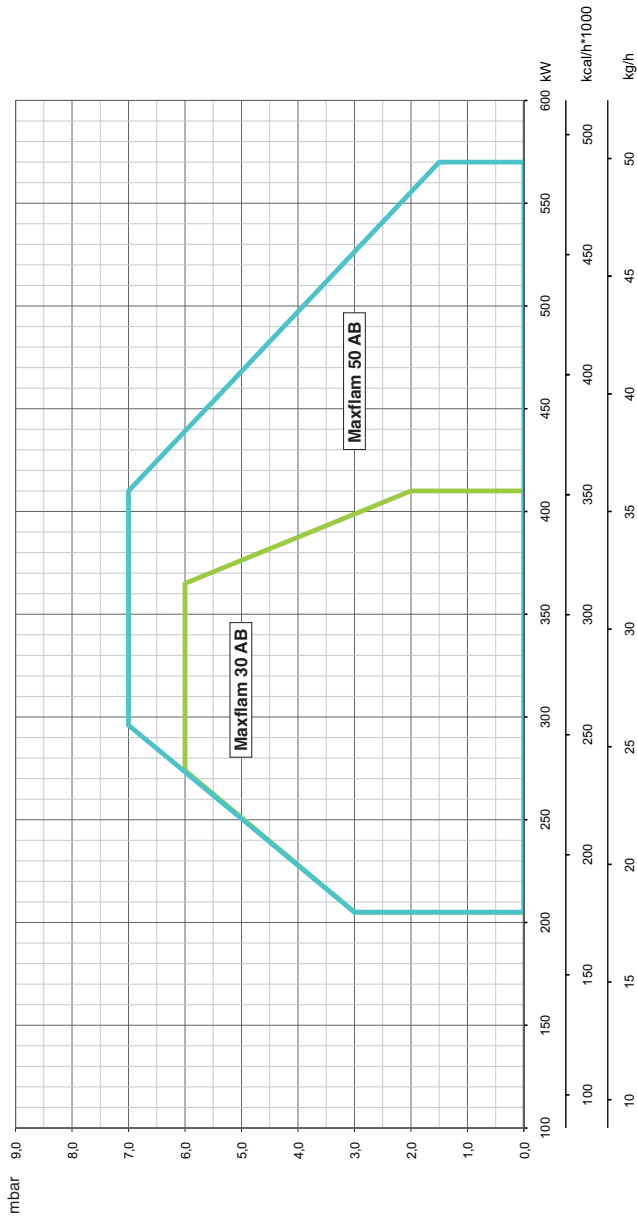
MAXFLAM 30 AB TC 400-50	3143330 (3142600)
MAXFLAM 30 AB TL 400-50	3143331 (3142601)
MAXFLAM 50 AB TC 400-50	3143332 (3142602)
MAXFLAM 50 AB TL 400-50	3143333 (3142603)

**Overview - Index of contents / Panoramica - Indice dei contenuti / Vue d'ensemble - Table des matières**  
**Descripción - Sumario / Обзор - Содержание**

<p>Technical data            Dati tecnici            Données techniques            Datos técnicos            Технические характеристики</p>	<p>EN IT FR ES RU</p>	<p>3</p>
<p>Working diagrams            Campi di lavoro            Domaine de fonctionnement            Ámbito de funcionamiento            Рабочий диапазон</p>	<p>EN IT FR ES RU</p>	<p>4</p>
<p>Dimensions            Dimensioni            Dimensions            Dimensiones            Размеры</p>	<p>EN IT FR ES RU</p>	<p>5</p>
<p>Operating instructions for authorised specialists</p>	<p>EN</p>	<p>6 - 18</p>
<p>Istruzione per l'uso per il personale qualificato</p>	<p>IT</p>	<p>19 - 31</p>
<p>Notice d'emploi pour l'installateur spécialiste</p>	<p>FR</p>	<p>32 - 44</p>
<p>Instrucciones de montaje para el instalador especialista</p>	<p>ES</p>	<p>45 - 57</p>
<p>Инструкция по эксплуатации Предназначено для квалифицированных специалистов по установке</p>	<p>RU</p>	<p>58 - 70</p>
<p>Electric diagrams            Schemi elettrico            Schémas électrique            Esquemas eléctrico            Электрические схемы</p>	<p>EN IT FR ES RU</p>	<p>71 - 72</p>
<p>Spare parts list            Parti di ricambio            Pièces de rechange            Piezas de recambio            Запчасти</p>	<p>EN IT FR ES RU</p>	<p>73 - 75</p>

Overview / Panoramica / Vue d'ensemble / Descripción / Обзор

Technical data - Dati tecnici - Données techniques - Datos técnicos - Технические характеристики		MAXFLAM 30 AB		MAXFLAM 50 AB	
Burner output max/min kW - kcal/h	Potenza bruciatore max/min kW - kcal/h	Puissance du brûleur max/min kW - kcal/h	Potencia del quemador máx/min kW - kcal/h	Мощность горелки макс./мин., кВт -ккал/час	410 205 570 205
Oil throughput max/min kg/h	Portata gasolio max/min kg/h	Débit de fuel max/min kg/h	Caudal de fuel pesado máx/min kg/h	Расход топлива макс./мин., кг/ч	352800 176400 490000 176400
Operation type (stage)	Sistema idraulico (stadio)	Système hydraulique 2 allure	Sistema hidráulico 2 etapa	Гидросистема 2 ступень	36 18 50 18
Regulating ratio	Rapporto di regolazione	Rapport de régulation	Relación de regulación	Кэффициент регулирования	2 2 1:2 1:2
Fuel oil	Combustibile	Fuel	Combustible	Топливо	Heavy oil (L.C.V. 9.800 kcal/kg max. visc 50°E at 50°C)
Emission class	Classe di emissione	Classe d'émission	Tipo de emisión	Класс выделения загрязняющих веществ	-
Control box	Apparecchiatura di controllo	Coffret de sécurité	Cajetín de seguridad	Блок управления и безопасности	Siemens LMO 44
Air regulation Air flap	Regolazione aria Serranda dell'aria	Réglage de l'air Volet d'air	Ajuste del aire Válvula de aire	Настройка подачи воздуха Воздушная заслонка	- -
Flame monitor	Rivelatore di fiamma	Surveillance de flamme	Vigilancia de llama	Контроль пламени	photoresistor photoresistor
Ignition transformer	Trasformatore d'accensione	Allumeur	Encendedor	Устройство розжига	cofi cofi
Fuel-oil pump	Pompa di pressione	Pompe de pulvérisation	Bomba de pulverización	Насос распыления мазут	suntec suntec
Electric motor rpm - watt	Motore elettrico giri motore - watt	Moteur rpm - watt	Motor rpm - watt	Электродвигатель об/мин - watt	2800 rpm 740 W 2800 rpm 1100 W
Voltage	Tensione	Tension	Tensión	Напряжение	230/400 V / 50 Hz
Power consumption (operation)	Potenza elettrica assorbita (Esercizio)	Puissance électrique absorbée (en service)	Pot. eléctrica absorbida (en funcionamiento)	Потребляемая электрическая мощность: (при работе)	6000 W 6500 W
Net weight	Peso netto	Poids net	Peso neto	Приблизительная масса	61,1(62,1) kg 64,7 (65,5) kg
Protection level	Classe di protezione	Indice de protection	Índice de protección	Класс электрозащиты	IP40 IP40
Sound pressure level dB(A)	Livello pressione sonora dB(A)	Niveau pression acoustique dB(A)	Nivel de presion acústico dB(A)	Уровень шума, dB(A)	74 76
Ambient temp. for storage	Temperatura ambiente di stoccaggio	Température ambiente de stockage	Temperatura ambiente de almacenamiento	температура хранения	-20°...+60° C
Temperature for use	Temperatura d'utilizzazione	Température d'utilisation	Temperatura ambiente de utilización	Рабочая температура	-10°...+60° C



**Working diagram**

The working diagram shows burner output as a function of combustion chamber pressure. It corresponds to the maximum values specified by EN 267 measured at the test fire tube. **The efficiency rating of the boiler should be taken into account when selecting a burner.**

Calculation of burner output:

$$QF = \frac{Q_N}{\eta_K}$$

QF = Burner output (kW)

Q<sub>N</sub> = Rated boiler output (kW)

η<sub>K</sub> = Boiler efficiency (%)

**Curva**

Il campo di attività indica la potenza del bruciatore in funzione della pressione della camera di combustione. Corrisponde ai valori massimi previsti dalla norma EN 267 misurati sul tubo della fiamma di controllo.

**In occasione della scelta del bruciatore si deve tenere conto del rendimento energetico della caldaia.**

Calcolo della potenza del bruciatore:

$$QF = \frac{Q_N}{\eta_K}$$

QF= potenza bruciata (kW)

Q<sub>N</sub>= potenza nominale della caldaia (kW)

η<sub>K</sub> = rendimento energetico della caldaia (%)

**Domaine de fonctionnement**

Le domaine de fonctionnement correspond aux valeurs mesurées lors de l'homologation. Elle correspond aux valeurs max mesurées sur tunnel d'essai d'après l'EN 267.

**Pour le choix du brûleur, tenir compte du rendement de la chaudière.**

Calcul de la puissance calorifique:

$$QF = \frac{Q_N}{\eta_K}$$

QF= Puissance calorifique (kW)

Q<sub>N</sub>= Puissance nominale chaudière (kW)

η<sub>K</sub> = Rendement chaudière (%)

**Ámbito de funcionamiento**

El ámbito de funcionamiento corresponde a los valores registrados en el momento de la homologación. Corresponde a los valores máx medidos en el túnel de ensayo según la EN 267.

**Para la elección del quemador, se ha de tener en cuenta el rendimiento de la caldera.**

Cálculo de la potencia calorífica:

$$QF = \frac{Q_N}{\eta_K}$$

QF = Potencia calorífica (kW)

Q<sub>N</sub> = Potencia nominal de la caldera (kW)

η<sub>K</sub> = Rendimiento de la caldera (%)

**Рабочий диапазон**

Рабочий диапазон соответствует значениям, измеренным при сертификации.

Он соответствует максимальным значениям, измеренным в соответствии со стандартом EN 267 в стандартном канале.

**При выборе горелки необходимо учитывать КПД котла.**

Расчет тепловой мощности:

$$QF = \frac{Q_N}{\eta_K}$$

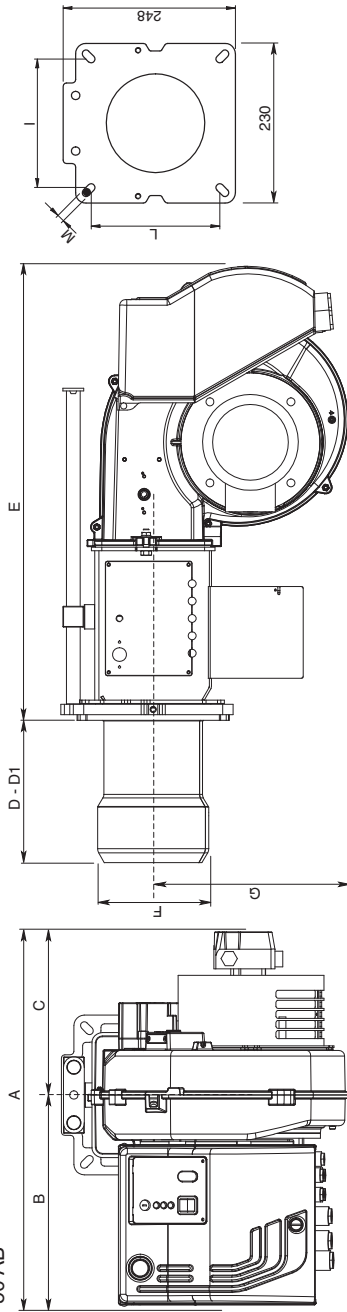
QF = Тепловая мощность, кВт

Q<sub>N</sub> = Номинальная мощность котла, кВт

η<sub>K</sub> = КПД котла, %

Overview - Dimensions / Panoramica - Dimensioni / Vue d'ensemble - Dimensions / Descripción - Dimensiones / Обзор - Размеры

MAX FLAM 30 - 50 AB



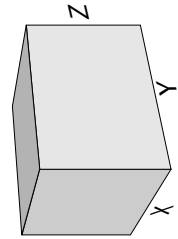
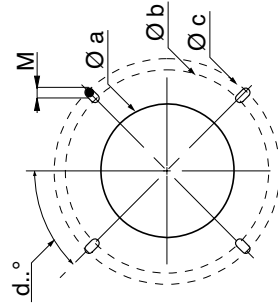
Model	A	B	C	D	D1	E	F	G	L	M
MAXFLAM 30 AB	562	302	260	205	325	653	170	280	185/200	M10
MAXFLAM 50 AB	562	302	260	205	325	653	170	280	185/200	M10

Boiler plate drilling

Model	Ø a	Ø b	Ø c
MAXFLAM 30 AB	170	262	283
MAXFLAM 50 AB	170	262	283

Packaging

Model	X	Y	Z	Kg
MAXFLAM 30 AB	786	1045	565	69 (70)
MAXFLAM 50 AB	786	1045	565	73 (74)



## Contents - Index - General warnings - Conformity declaration

<b>Overview</b>	Technical data	3
	Working diagrams	4
	Dimensions	5
<b>Contents</b>	Index	6
	General warnings	6
	Conformity declaration	6
	Burner description	7
<b>Function</b>	General safety functions	8
	Siemens LMO 44 control and safety unit	9
	Oil burner pump	10
<b>Installation</b>	Burner assembly	11
	Electrical connection	12
	Checks before commissioning	12
	Heavy oil feeding and suction line	13
<b>Start up</b>	Setting data table - air regulation	15
	Adjusting burner output	16
	Oil pressure regulation - Recording commissioning data	16
<b>Service</b>	Maintenance	17
	Troubleshooting	18
<b>Overview</b>	Electrical diagrams	71-72
	Spare parts list	73-75

### Declaration of conformity for oil burners

We,  
**Ecoflam Bruciatori S.p.A.**

declare under our sole responsibility that the heavy oil burners named

### MAXFLAM

conform to the following standards:

EN 267	EN 50156-1
EN 55014-1	EN 55014-2
EN 60335-1	EN 60335-2-102
EN 61000-6-2	EN 61000-6-3

These products bear the CE mark in accordance with the stipulations of the following directives:

**2014/35/UE Low Voltage Directive**  
**2014/30/UE EMC Directive**  
**2006/42/EC Machine directive**  
**2011/65/EU RoHS2 directive**

April, 2018 / Mr. Filippo Maltempo

R&D Director

### Important notes

Ecoflam burners have been designed and built in compliance with all current regulations and directives.



**All burners comply to the safety and energy saving operation regulations within the standard of their respective performance range.**



**The burner must not operate outside the working range.**

The quality is guaranteed by a quality and management system certified in accordance with ISO 9001:2008.

The MAXFLAM burners are designed for the combustion of heavy oil.



**The burners comply with standard EN267. Assembly and commissioning must be carried out only by authorised specialists and all applicable guidelines and directives must be observed.**

### Burner description

The MAXFLAM burner is a two-stage, fully-automatic monoblock type burners. Burner head is designed to get the lowest emissions in terms of NOx and unburnt particles in order to maximize the heat generator efficiency. Emissions can be different respect to the ones recorded in the lab because they depends a lot on the generator on which the burner is fit.

The installer must comply with compulsory

rules. Avoid for instance dangerous atmosphere or not ventilated rooms.

### Packaging and handling

Move the burner still in its packaging using a trolley or forklift, taking care not to drop it and elevating it no more than 20cm from ground level. After having removed the packaging, check that the contents are in good condition and correspond with what was ordered. If in doubt, contact the manufacturer.



**The burner must be installed by a qualified individual.**

If the weight and dimensions do not allow for manual lifting, ask another operator for



help or use a forklift, harness the burner using belts if no eyebolts are available.



Use the accessories provided (flange, gasket, pins and nuts) to install the burner onto the boiler, taking care not to damage the isolating gasket.

**We can accept no warranty liability whatsoever for loss, damage or injury caused by any of the following:**

- Inappropriate use.
- Incorrect assembly or repair by the customer or any third party, including the fitting of non-original parts.

### Provision of the system and the operating instructions

The firing system manufacturer must supply the operator of the system with operating and maintenance instructions on or before final delivery. These instructions should be displayed in a prominent location at the point of installation of the heat generator, and should include the address and telephone number of the nearest customer service centre.

### Notes for the operator

The system should be inspected by a specialist at least once a year. It is advisable to take out a maintenance contract to guarantee regular servicing.

## Contents - Burner description

MAXFLAM 30 AB TC 230-400-50

**RANGE NAME BY FUEL TYPE**

MAXFLAM Heavy oil

**MODEL SIZE (Gas: kW; Oil: kg/h)**

MAXFLAM 30 36 kg/h - 410 kW

**OPERATION TYPE**

- 1 stage  
AB 2 stages

**HEAD TYPE**

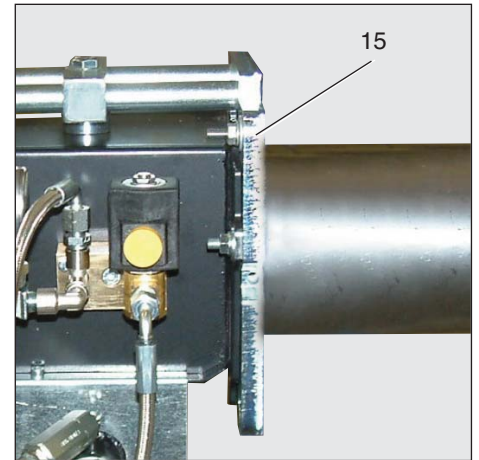
TC Short head  
TL Long head

**FUEL**

Heavy oil

**ELECTRICAL POWER SUPPLY**

230-400-50 230-400 Volt, 50 Hz

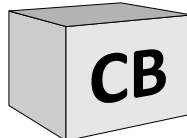


- A1 Siemens LMO44 control box
- M1 Electric motor for pump and blower wheel
- T1 Ignition transformer
- 5 Fastening screws for equipment plate
- 9 Electric switch board
- 15 Burner flange
- 16 Release knob
- 102 Heavy-oil pump
- 103B Air regulation
- 113 Air intake

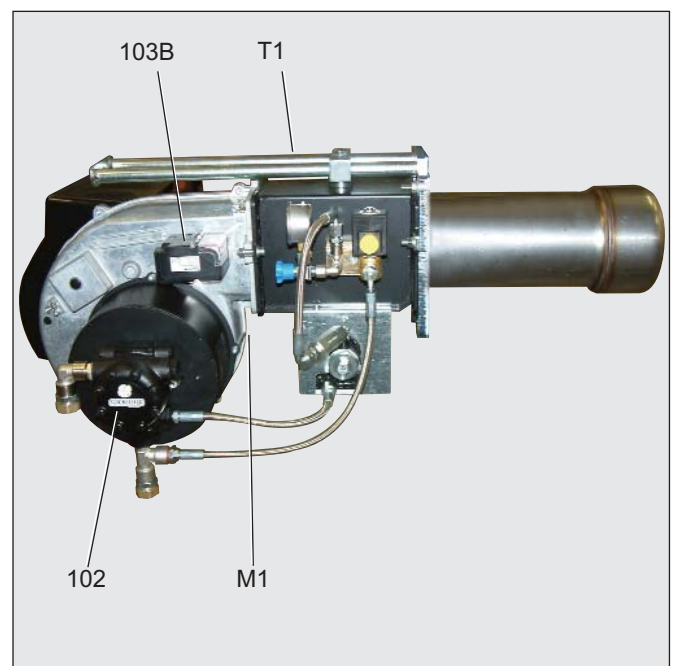
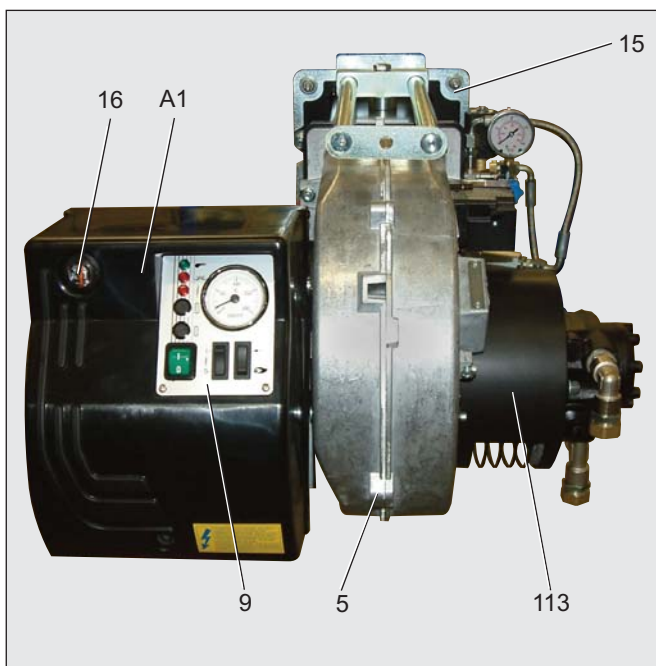
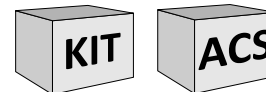
**Scope of delivery**

CB: COMPLETE BURNER

- 1 bag including :
  - multilanguage technical manual.
  - filter and hoses.
  - nozzle and spanner.
  - screws, nuts and washer.



**KIT & ACS delivered separately**



## Function - General safety functions

### Operating function

- Switch-on the burner. When reaching the preset temperature on the working thermostat, and with boiler's thermostat closed, the control box starts the fan, the fuel pump and the ignition transformer. At the same time, the resistors are activated, to keep fuel temperature into the heater at a constant value.
- The motor starts, the igniter is switched on and the preventilation period of 25 seconds commences.
- During the preventilation period, the furnace is monitored for flame signals.
- At the end of the preventilation period, the fuel-oil solenoid valve opens and the burner starts.
- The igniter remains switched off while the burner is in operation.

### Controlled shutdown

- Boiler thermostat interrupts heat request.

- The fuel-oil solenoid valve closes and the flame is extinguished.
- Burner motor switches off.
- Burner enters standby.

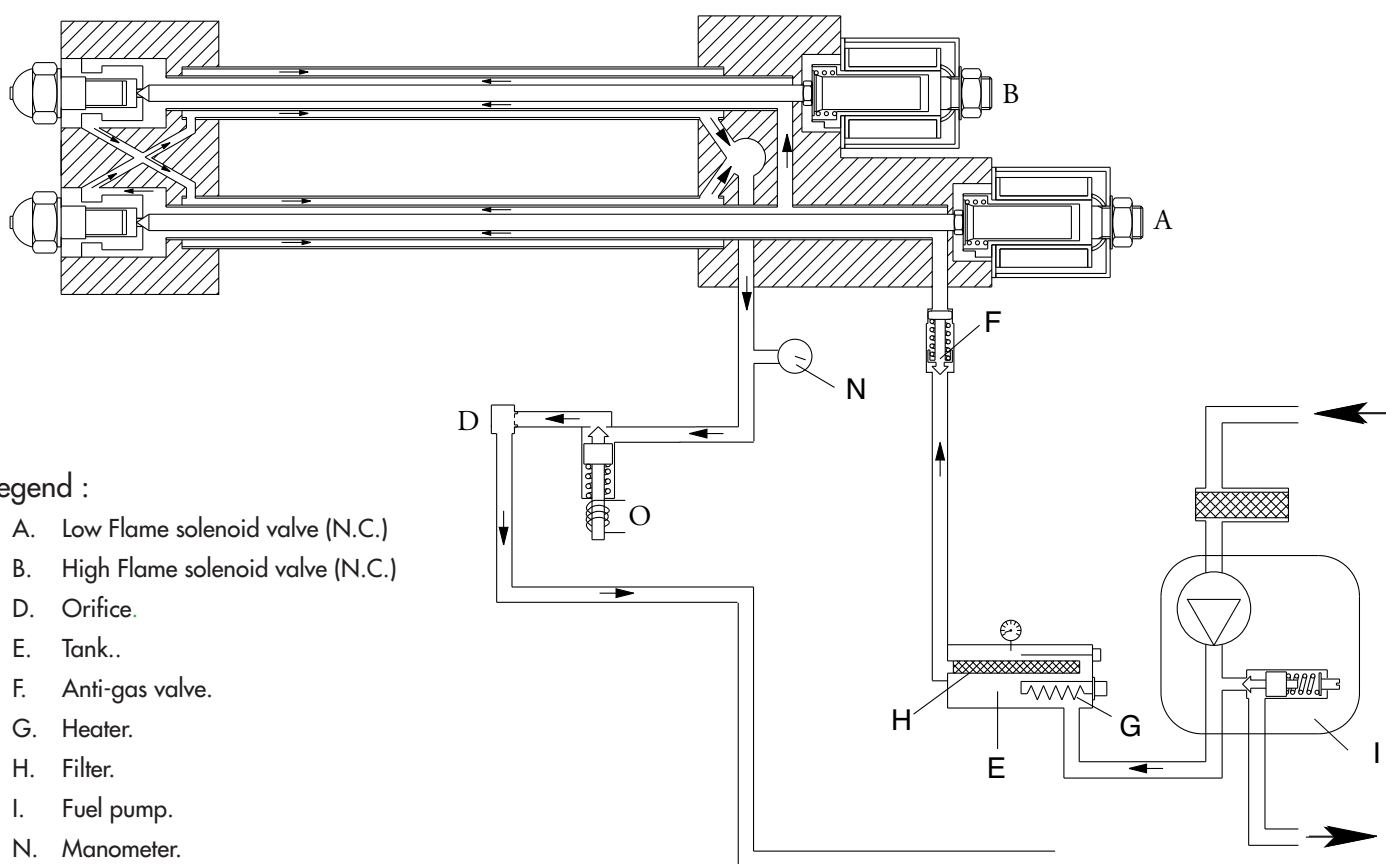
### Safety function

A safety shutdown occurs:

- if a flame signal is present during preventilation (parasitic flame monitoring).
- if no flame is produced within 5 seconds (safety time) of start-up (fuel authorisation).
- if no flame is produced after an unsuccessful restart attempt in the event of flame failure during operation.

A safety shutdown is indicated by the malfunction lamp lighting up and it is then only possible to reenale the burner by pressing the reset button after the cause of the malfunction has been rectified.

For further information, see the automatic combustion control unit description.

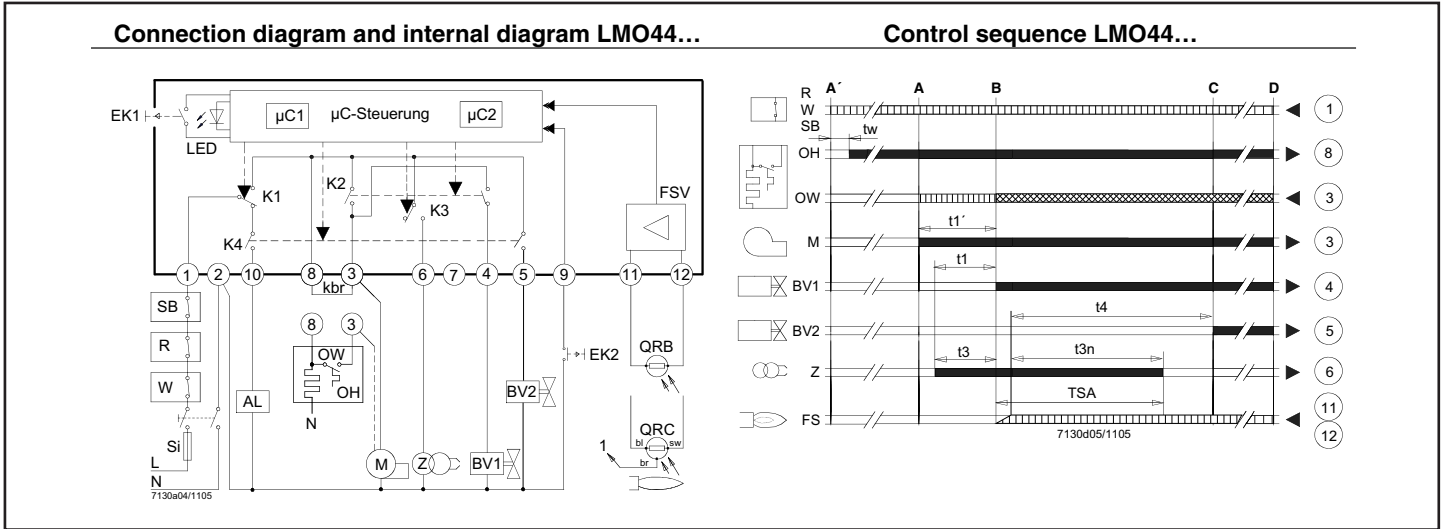


### Legend :

- A. Low Flame solenoid valve (N.C.)
- B. High Flame solenoid valve (N.C.)
- D. Orifice.
- E. Tank..
- F. Anti-gas valve.
- G. Heater.
- H. Filter.
- I. Fuel pump.
- N. Manometer.
- O. Solenoid valve (N.O.).
- N.C. = Norm. closed
- N.O. = Norm. open



## Function - Siemens LMO44 control and safety unit

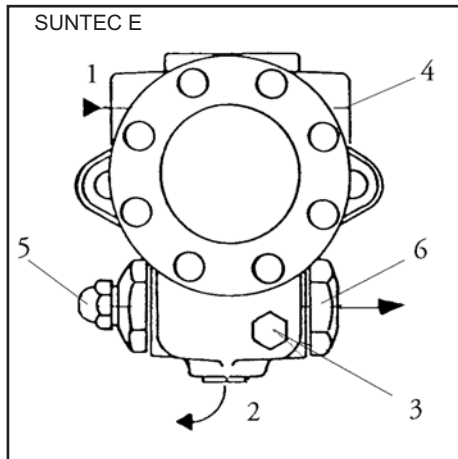


**!** Always disconnect the power supply before installing or removing the control unit. Do not attempt to open or carry out repairs on the control unit.

- AL Alarm device
- BV... Fuel valve
- EK1 Lockout reset button
- EK2 Remote lockout reset button
- FS Flame signal
- FSV Flame signal amplifier
- K... Contacts of control relay
- kbr Cable link (required only when no oil preheater is used)
- LED 3-color signal lamp
- M Burner motor
- OW Release contact of oil preheater
- OH Oil preheater
- QRB... Photoresistive flame detector
- QRC... Blue-flame detector
- bl = blue, br = brown, sw = black
- R Control thermostat or pressurestat
- SB Safety limit thermostat
- Si External primary fuse
- W Limit thermostat or pressure switch
- Z Ignition transformer
- TSA Ignition safety time
- tw Waiting time
- t1 Prepurge time
- t1' Purge time
- t3 Preignition time
- t3n Postignition time
- t4 Interval from flame signal to release of «BV2»
- A' Start of startup sequence with burners using an «OH»
- A Start of startup sequence with burners using no «OH»
- B Time of flame establishment
- C Operating position
- D Controlled shutdown by «R»

Color code table for multicolor signal lamp (LED)		
Status	Color code	Color
Waiting time «tw», other waiting states	○ .....	Off
Oil preheater on, waiting time «tw»	● .....	Yellow
Ignition phase, ignition controlled	● ○ ● ○ ● ○ ● ○ ● ○ ● ○ ● ○ ● ○ ● ○ ● ○	Flashing yellow
Operation, flame o.k.	□ .....	Green
Operation, flame not o.k.	□ ○ □ ○ □ ○ □ ○ □ ○ □ ○ □ ○ □ ○ □ ○ □ ○	Flashing green
Extraneous light on burner startup du bruleur	□ ▲ □ ▲ □ ▲ □ ▲ □ ▲ □ ▲ □ ▲ □ ▲ □ ▲ □ ▲ □ ▲	Green-red
Undervoltage	● ▲ ● ▲ ● ▲ ● ▲ ● ▲ ● ▲ ● ▲ ● ▲ ● ▲ ● ▲ ● ▲	Yellow-red
Fault, alarm	▲ .....	Red
Error code output (refer to «Error code table»)	▲ ○ ▲ ○ ▲ ○ ▲ ○ ▲ ○ ▲ ○ ▲ ○ ▲ ○ ▲ ○ ▲ ○ ▲ ○ ▲ ○	Flashing red
Interface diagnostics	▲ ▲	Red flicker light
Legend:	..... Steady on      ▲ Red      □ Green	
	○ Off      ● Yellow	

# Function - Oil burner pump



- 1 suction intake connection.
- 2 return connection.
- 3 oil pressure gauge connection.
- 4 negative pressure gauge connection.
- 5 oil pressure regulator.
- 6 pressure connection

The heavy oil burner pump used is a self-priming gear pump, which must be connected as two-line pump via a bleed filter. There is an intake filter and an oil pressure regulator integrated in the pump. Pressure gauges for pressure measurements and negative pressure

measurements must be connected before the equipment is commissioned.

**NB:** before starting the burner, check that the return pipe is open. An eventual obstruction could damage the pump sealing device.

### TECHNICAL DATA

#### General

Mounting	Flange mounting according to EN 225.
Connection threads	Cylindrical according to ISO 228/1
Inlet and return	G 1/2"
Nozzle outlet	G 1/4"
Pressure gauge port	G 1/8"
Vacuum gauge port	G 1/2"
Valve function	Pressure regulating - no cut-off
Filter	Open area: 45 cm Opening size : 550 µm
Shaft	Ø 11mm according to EN 225.
By-pass plug	Inserted in return port for 2 pipe system; to be removed with a 3/16" Allen key for 1 pipe system.
Weight	4 kg

#### Hydraulic data

Nozzle pressure range	14 - 30 bar
Delivery pressure setting	20 bar
Operating viscosity	3 - 75 cSt
Oil temperature	0 - 130°C max. nella pompa
Inlet pressure	installation to light oil : 0,45 bars max. vacuum to prevent air separation from oil. installation to heavy oil : 3,5 bar max.
Return pressure	installation to light oil : 3,5 bar max. installation to heavy oil : 3,5 bar max.
Rated speed	3600 gpm max.
Torque (to 40 gpm)	0,3N.m

#### Choice of heater

Crtridge	Ø 12 mm
Fitting	in accordo con EN 50262
Rating	50-80 W

### PUMP IDENTIFICATION

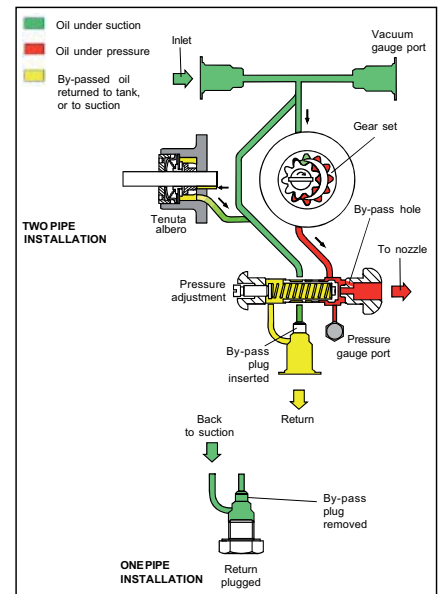
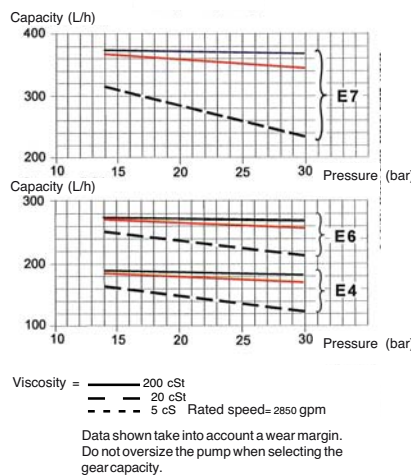
(Not all model combinations are available  
Consult your Suntec representative)

E : Pressure regulation  
 Gear set capacity (see pump capacity curves)  
 Filter  
 Shaft rotation and nozzle location (seen from shaft end) (vista lato albero)  
 A : clockwise rotation/ right hand nozzle.  
 C : anti clockwise rotation/ left hand nozzle. izquierdo

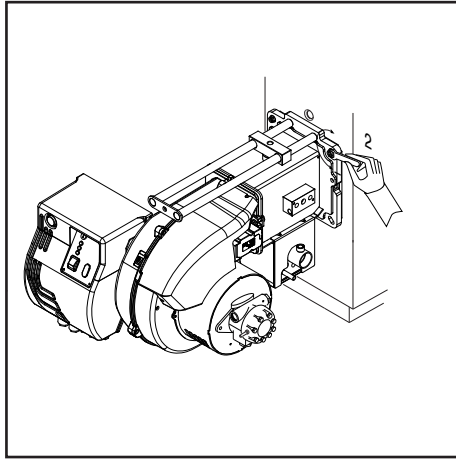
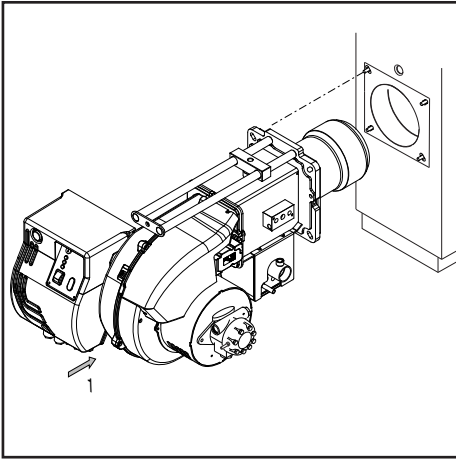
**E 4 N C 1 069 7 P**

Flange mounting  
 069 : body with preheater cavity  
 model without cut-off function  
 Revision number  
 Installation  
 P : by-pass plug installed in return port for two-pipe operation

### Pump capacity



## Installation - Burner assembly



### Burner assembly

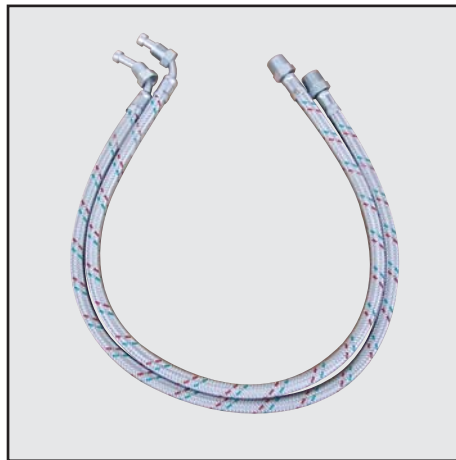
The burner is fixed by the flange and therefore to the boiler.

#### Installation:

- To fix the flange to the boiler with the screws.

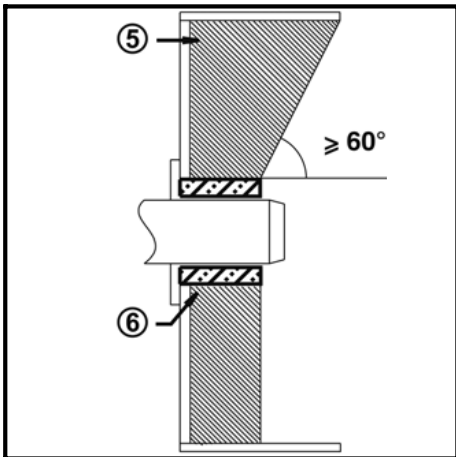
#### Removal:

- Loosen the screws.
- To slowly slide the the burner from the boiler.



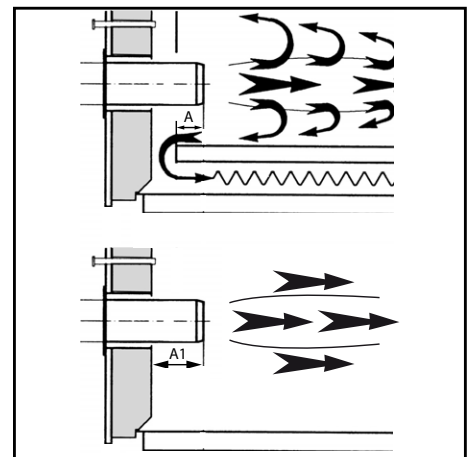
### Oil connection

The filter must be located in such a way that the correct hose routing cannot be impaired. The hoses must not kink.



### Burner pipe insertion depth and brickwork

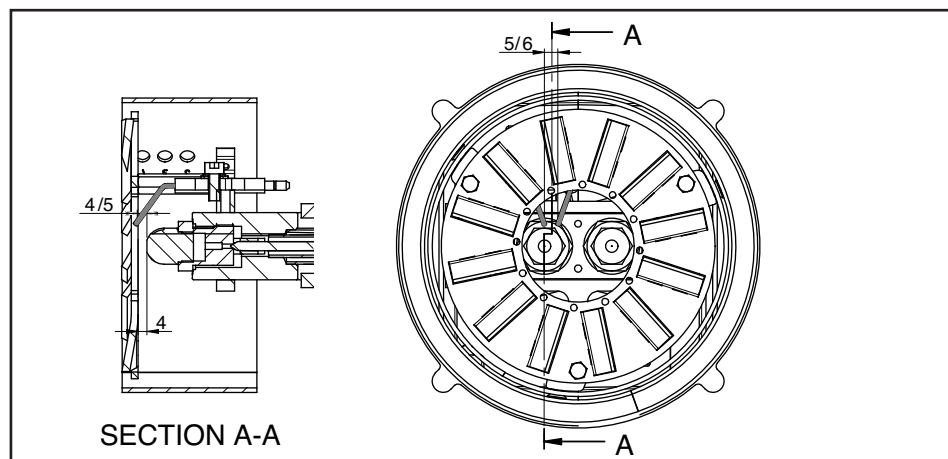
Unless otherwise specified by the boiler manufacturer, heat generators without a cooled front wall require brickwork or insulation 5 as shown in the illustration. The brickwork must not protrude beyond the leading edge of the flame tube, and should have a maximum conical angle of 60°. Gap 6 must be filled with an elastic, non-combustible insulation material. For boilers with reverse firing, the minimum burner tube insertion depth A as specified in the boiler manufacturer's instructions must be observed.



### Exhaust system

To avoid unfavourable noise emissions, right-angled connectors should not be used on the flue gas side of the boiler.

## Installation - Electrical connection - Checks before commissioning



### Position of electrodes

**Note:** Always check the position of electrodes after having replaced the nozzle (see illustration). A wrong position could cause ignition troubles.

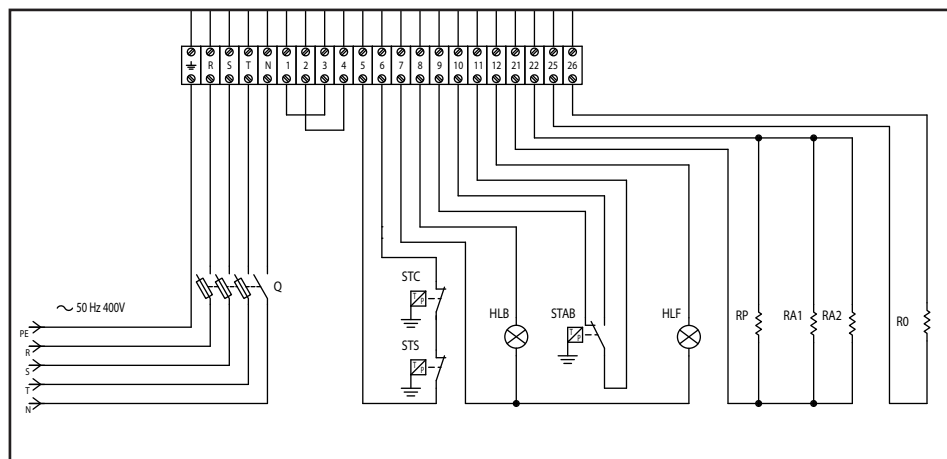
### Electrical connection

The electrical installation and connection work must only be carried out by an authorised electrical specialist. All applicable rules and regulations must be observed.

The electrical installation should include a type A circuit breaker.

**The applicable guidelines and directives must be observed, as well as the electrical circuit diagram supplied with the burner!**

- Check to ensure that the power supply voltage is as specified in the electric diagram and in data plate.
- Burner fuse: 5 A.



### Checks before commissioning

The following must be checked before initial commissioning:

- That the burner is assembled in accordance with the instructions given here.
- That the burner is pre-set in accordance with the values in the adjustment table.
- Setting the combustion components.
- The heat generator must be ready for operation, and the operating regulations for the heat generator must be observed.
- All electrical connections must be correct.
- The heat generator and heating system

must be filled with water and the circulating pumps must be in operation.

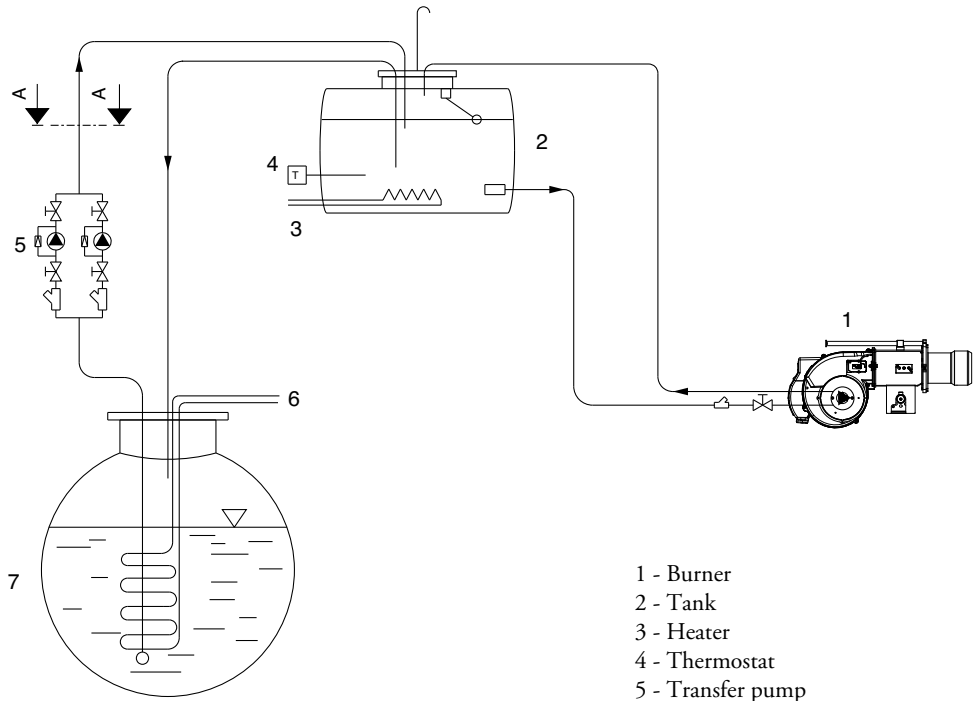
- The thermostats, pressure regulator, low water detectors and any other safety or limiting devices that might be fitted must be connected and operational.
- The exhaust gas duct must be unobstructed and the secondary air system, if available, must be operational.
- An adequate supply of fresh air must be guaranteed.
- The heat request must be available.
- Fuel tanks must be full.
- The fuel supply lines must be

assembled correctly, checked for leaks and bled.

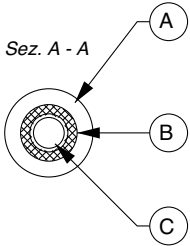
- A standard-compliant measuring point must be available, the exhaust gas duct up to the measuring point must be free of leaks to prevent anomalies in the measurement results.

## Installation - Heavy oil feeding and suction line

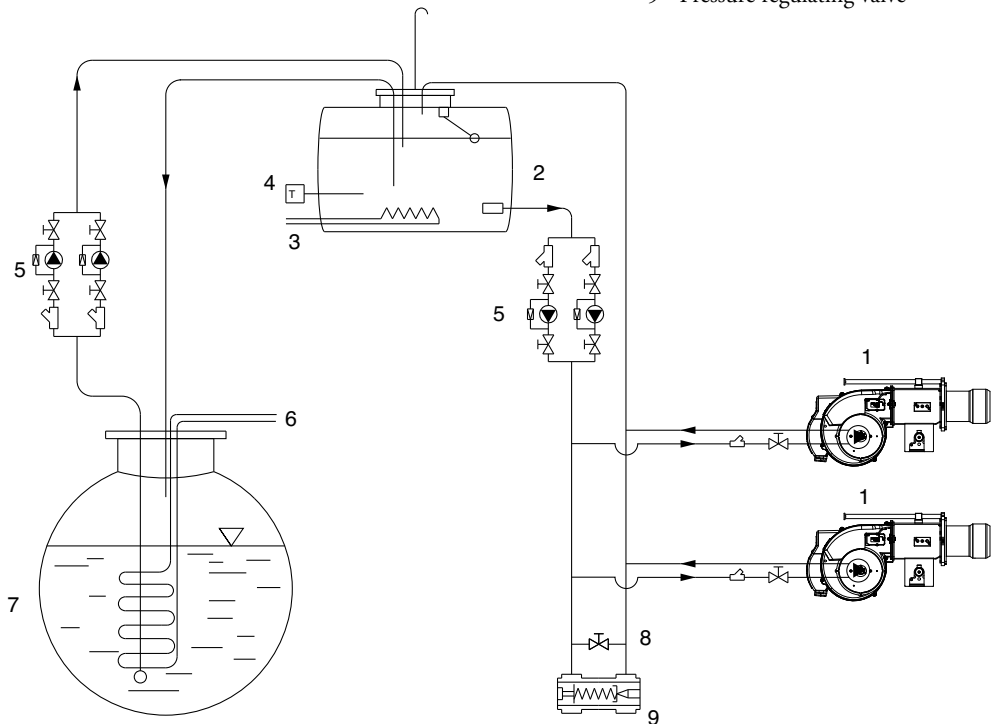
### HEAVY OIL FEED SYSTEM UP TO 15°E AT 50°C



- 1 - Burner
- 2 - Tank
- 3 - Heater
- 4 - Thermostat
- 5 - Transfer pump
- 6 - Header
- 7 - Tank
- 8 - By-pass
- 9 - Pressure regulating valve



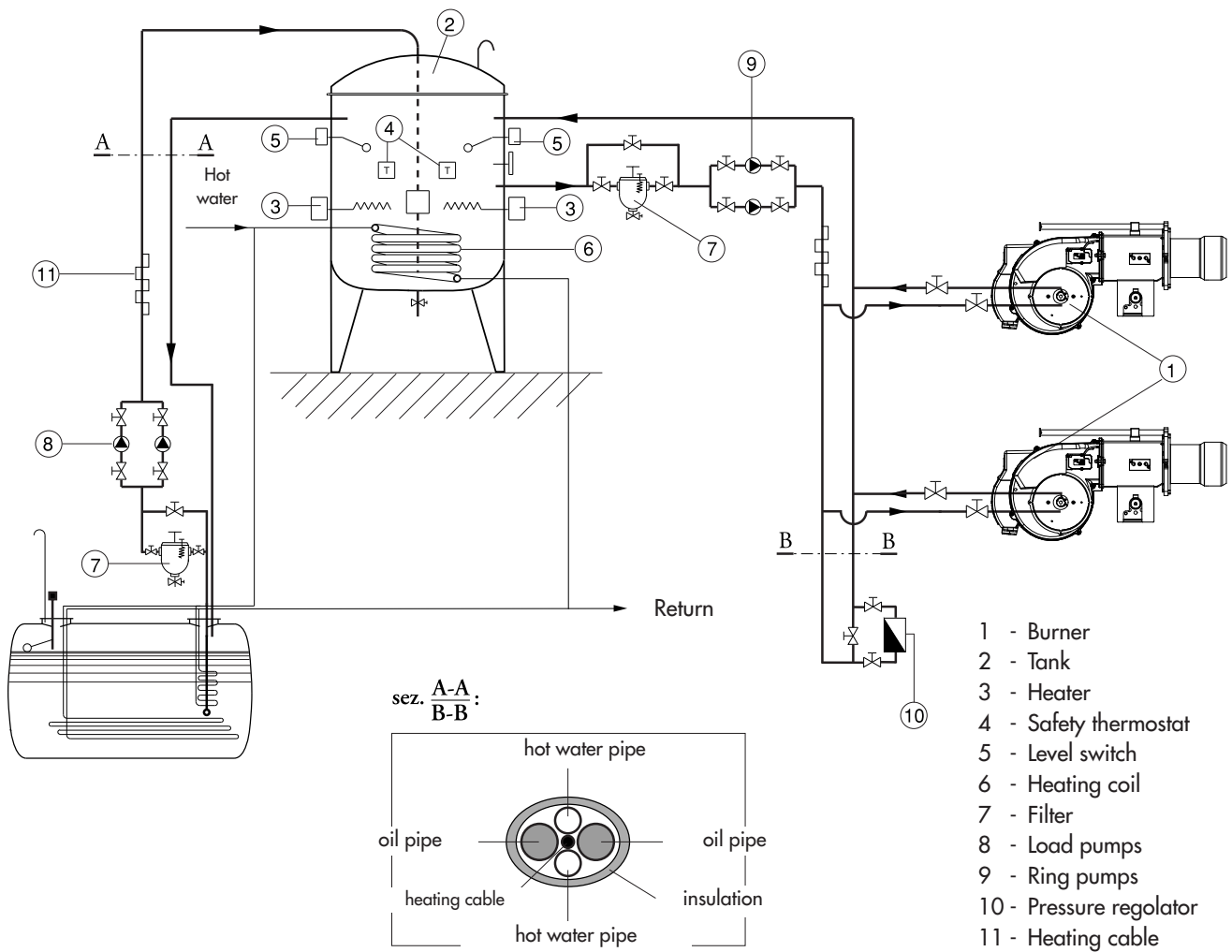
- A - Isolation gasket
- B - Heater
- C - Pipe heavy oil



**IMPORTANT:** All fuel pipings are heated (see section A-A of the picture)

# Installation - Heavy oil feeding and suction line

HEAVY OIL FEED SYSTEM UP TO 50°E AT 50°C



**IMPORTANT: All feed piping are heated (see sec. A-A)**

## Start up - Setting data table - Air regulation

Maxflam 30 AB												
burner output kW		pressure in combustion chamber mbar		oil output kg/h		nozzle 60° HO		pump pressure bar	firing head setting	air damper setting		
1° stage	2° stage	1° stage	2° stage	1° stage	2° stage	1° stage	2° stage			1° stage	stage	
205	274	1,6	3,3	18	24	3,00	1,00	23	1	18°	30°	
<b>239</b>	<b>331</b>	<b>1,3</b>	<b>3,7</b>	<b>21</b>	<b>29</b>	<b>3,50</b>	<b>1,50</b>	<b>23</b>	<b>2</b>	<b>20°</b>	<b>40°</b>	
274	388	1	4	24	34	4,00	2,00	23	3	20°	60°	

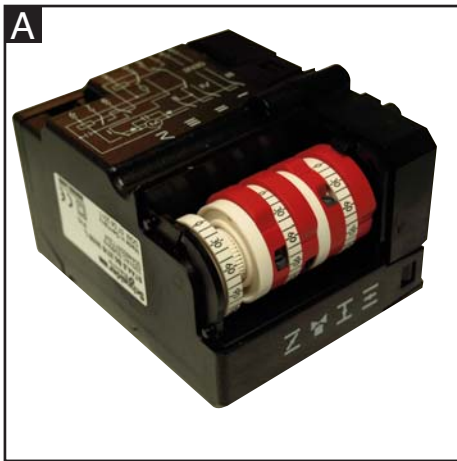
  

Maxflam 50 AB												
burner output kW		pressure in combustion chamber mbar		oil output kg/h		nozzle 60° HO		pump pressure bar	firing head setting	air damper setting		
1° stage	2° stage	1° stage	2° stage	1° stage	2° stage	1° stage	2° stage			1° stage	stage	
205	296	1,5	3,5	18	26	3,00	1,50	23	1	15°	40°	
<b>262</b>	<b>388</b>	<b>1,3</b>	<b>4</b>	<b>23</b>	<b>34</b>	<b>4,00</b>	<b>2,00</b>	<b>22</b>	<b>2</b>	<b>20°</b>	<b>50°</b>	
308	479	1,4	4,7	27	42	4,50	2,50	23	3	20°	50°	

The settings above are **basic settings**. These adjustment values are normally suitable for commissioning the burner. These values have been determined in our test labs and are useful for the first

switch-on as final setting must be done using a combustion analyzer. Favourable combustion values can be achieved using the following nozzles:

DANFOSS H+S 80°+60°  
DELAN W 60°  
STEINEN S 60°



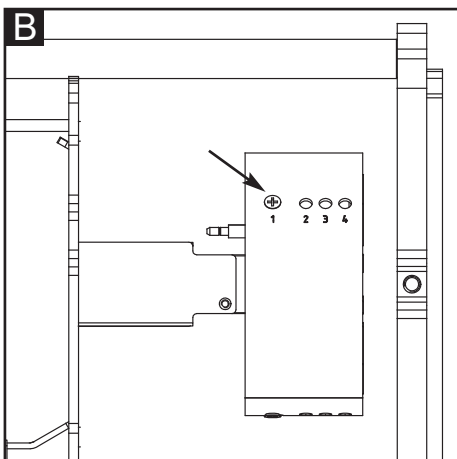
### Air damper setting (A).

Remove the cover to gain access to the adjustment cams. The cams are adjusted using the screwdriver.

Description:

- I - Limit switch for the "HIGH FLAME" position of the air damper (MAX POWER).
- II - Adjusting cam for the air damper position at shut down (0°).
- III - Auxiliary switch for the release of the second stage valve (HIGH FLAME).
- IV - Limit switch for the "LOW FLAME" position of the air damper.

**Note :** Cam III (to enable the stage two electrovalve to open) is adjusted to an intermediate position between the low flame and high flame positions (to an angle approximately 5° greater than the low flame position).



### Firing head setting (B).

Slide the burner out off mounting flange. Modify air cylinder position (1,2,3,4) as shown in fig.B using a screwdriver. Slide again the burner in the mounting flange end fix to the boiler.

## Start up - Adjusting burner output - Oil pressure regulation

**! Risk of air blast!** Continuously check CO, CO<sub>2</sub> and soot emissions when adjusting the output of the burner. Optimise combustion values in the event of CO formation. CO must not exceed 50 ppm.

### Burner start

Before starting the burner, draw oil in until the filter is completely filled. Then start the burner by switching on the boiler regulator. Open the bleed screw on the oil filter to allow the oil line to bleed fully during the prevention phase. The negative pressure must not fall below 0.4 bar. Close the bleed screw when the filter is completely filled with oil and oil is flowing out without bubbles.

### Burner output adjustment

Use the pressure regulator to adjust the oil pressure in accordance with the burner output desired. Monitor the combustion values continuously as you do so (CO, CO<sub>2</sub>, soot test). Adjust the airflow gradually if necessary.

### Optimising combustion values

If the combustion values are not satisfactory modify the position of the combustion head. By doing this the burner ignition conditions and the combustion values change. Compensate for the change in airflow if necessary by adjusting the air flap position.

**Note: observe the minimum required flue gas temperature specified by the boiler manufacturer and the requirements demanded of flue gas ducts for avoiding condensation.**

### Oil pressure regulation

The oil pressure, and therefore burner output, is adjusted using oil pressure regulator 5 in the pump. Turn to

- right: to increase pressure  
- left: to reduce pressure  
Connect a pressure gauge at point 3 (with R1/8" thread).

### Checking negative pressure

The vacuum meter for checking negative pressure must be connected to point 4, R1/8". Maximum permissible negative pressure is 0.4 bar. At higher negative pressures, the fuel oil gasifies, which causes scraping noises in the pump and ultimately leads to pump damage.

### Adjustment of fuel thermostats

The working resistor thermostat must be set to 100°-140°C, while the safety thermostat is preset. Said adjustments can be slightly modified following the type of fuel and particular uses.

- A - Working thermostat (100°-140° C).  
B - Stand-By thermostat (150° C).  
C - Firing head thermostat (120°-140° C).

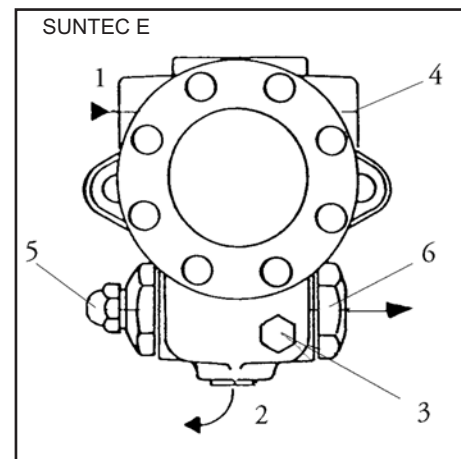
### Operating check

Flame monitoring must be checked for safety as part of initial commissioning and also after servicing or if the system has been out of operation for any significant period of time.

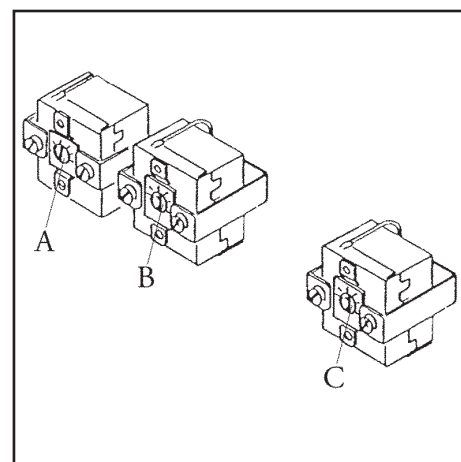
- Starting attempt with flame monitor unlit: the automatic combustion control unit must switch to malfunction at the end of the safety time
- Start with flame monitor lit: the automatic combustion control unit

must switch to malfunction after 5 seconds of prevention

- Normal start-up: flame monitor goes out when burner in operation; the automatic combustion control unit must switch to malfunction after the restart and end of the safety time



- 1 suction intake connection.  
2 return connection.  
3 oil pressure gauge connection.  
4 negative pressure gauge connection.  
5 oil pressure regulator.  
6 pressure connection



### Recording commissioning data

Test	n°1	n°2
Date		
Model		
Type oil		
Oil calorific value		
Burner output	min	kW
Burner output	max	kW
Flue gas temperature		C°
Air temperature		C°
CO <sub>2</sub>		%
CO		ppm
NOx		ppm
Performance		%
Corrective action		
Operator name		
Company		

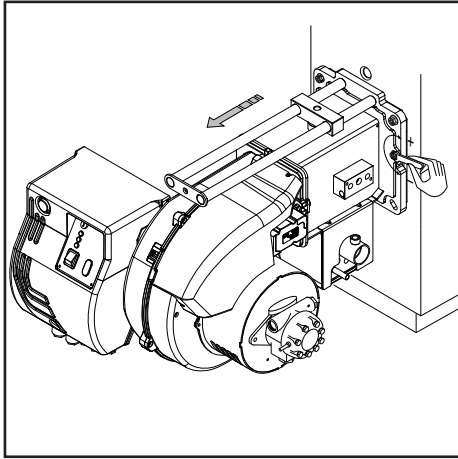


## Service - Maintenance

**Burner and boiler servicing must only be carried out by qualified personell. The system operator is advised to take out a service contract to guarantee regular servicing.**

### Attention

- Disconnect the electrical supply before carrying out any maintenance or cleaning work.
- The blast tube and firing head may be hot.



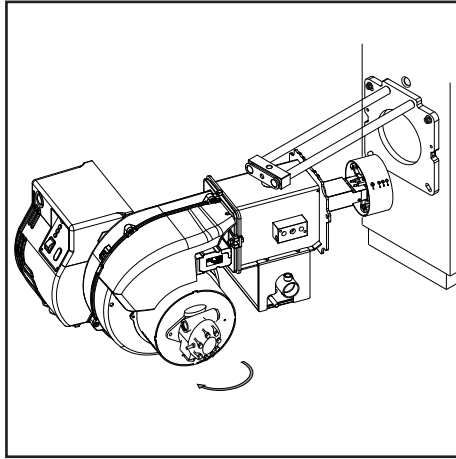
### Checking the exhaust gas temperature

- Check the flue gas temperature at regular intervals.
- Clean the boiler if the flue gas temperature is more than 30°C above the value measured at the time of commissioning.
- To simplify the check, use a flue gas temperature indicator.

(as show in picture) to :  
nozzle change  
electrodes change and setting  
combustion disc cleaning/change  
air cylinder setting

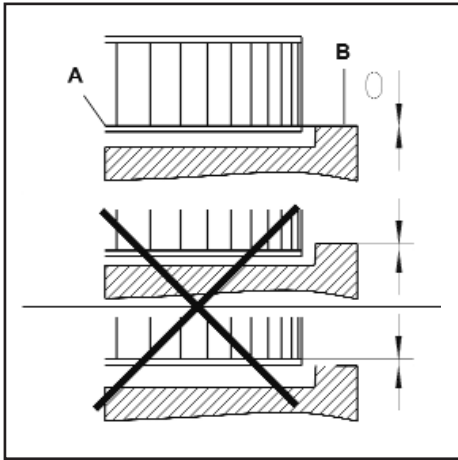
### Burner maintenance positions

- After removing the screws pull the burner out of the flange and turn to maintenance



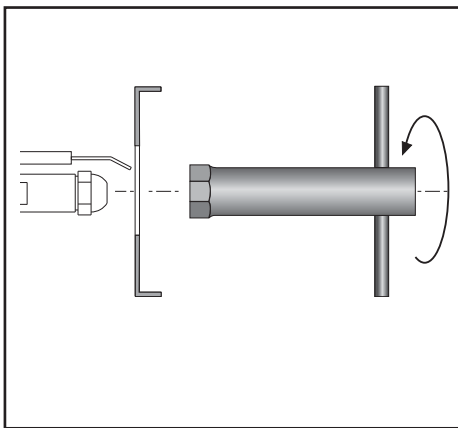
### Maintenance on the burner

- Clean fan and housing and check for damage.
- Check and clean the combustion head.
- Replace oil nozzle.
- Check ignition electrodes, readjust or replace as necessary.
- Fit combustion head. Observe adjustment dimensions.
- Fit burner.
- Start burner, check flue gas data, correct burner settings if necessary.
- Check oil supply components (tubes, pumps, oil feed tube) and their connections for leaks or signs of wear, replace if necessary.
- Check electrical connections and connection cables for damage, replace if necessary.
- Check pump filter and clean if necessary.



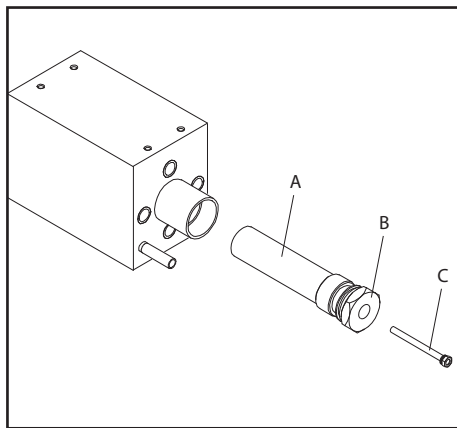
### Fan assembly

Observe the positioning diagram below when replacing the motor and blower wheel. The inside flange **A** of the blower wheel must be fitted at the same level as the equipment plate **B**. Insert a straight edge between the wing of the blower wheel and set **A** and **B** to the same height, tighten the set screw on the blower wheel.



### Nozzle and cleaning replacement

Use only the suitable box wrench provided for this operation to remove the nozzle, taking care to not damage the electrodes. Fit the new nozzle by the same care.



### Cleaning of filter on the preheater

Removing of the filter:

- 1 Switch-off the burner and make cold to leave.
- 2 Take off oil thermometer bulb C.
- 3 Loosen screw B and drain part of the fuel from the heater, until the fuel level drop below the filter.
- 4 Unscrew and pull out the stem filter A from its seat.
- 5 Clean the filter and reassemble the parts as shown by the picture, then fit it in its own seat.

It is advisable to replace all filter and valve gaskets whenever they are removed.

**Note: that when the burner is working the heater has a pressure of abt. 23 bar, and that it becomes very dangerous to carry out said operations with the burner running.**

Note: Always check the position of electrodes after having replaced the nozzle (see illustration). A wrong position could cause ignition troubles.

## Service - Troubleshooting

### Fault diagnosis and repair

In the event of a malfunction, first check that the prerequisites for correct operation are fulfilled:

1. is the system connected to the power supply?
2. is there oil in the tank?
3. are all shut-off valves open?
4. are all control and safety devices, such as the boiler thermostat, low-water detector, limit switch, etc. adjusted correctly?

If the malfunction persists, use the following table.

It is not permitted to repair any components relevant to safety. These

components must be replaced by parts with the same order number.

### Only use original spare parts.

#### NB: after each operation:

- under normal operating conditions (doors closed, hood fitted, etc.), check combustion and check the individual lines for leaks.
- Record the results in the relevant documents.

Error code table		
Red blink code of signal lamp (LED)	«AL» at term. 10	Possible cause
2 blinks	on	No establishment of flame at the end of «TSA» - Faulty or soiled fuel valves - Faulty or soiled flame detector - Poor adjustment of burner, no fuel - Faulty ignition equipment
3 blinks	on	Free
4 blinks	on	Extraneous light on burner startup
5 blinks	on	Free
6 blinks	on	Free
7 blinks	on	Too many losses of flame during operation (limitation of the number of repetitions)- Faulty or soiled fuel valves. - Faulty or soiled flame detector - Poor adjustment of burner.
8 blinks	on	Time supervision oil preheater - Oil preheater failed 5 times during prepurging
9 blinks	on	Free
10 blinks	off on	Wiring fault or internal fault, output contacts, other faults. 3 times temporary fault of the output contacts

## Contenuti generali - Indice - avvertenze generali - dichiarazione di conformità

<b>Panoramica</b>	Dati tecnici	3
	Curve di lavoro	4
	Dimensioni d'ingombro	5
<b>Contenuti generali</b>	Indice	19
	Avvertenze generali	19
	Dichiarazione di conformità	19
	Descrizione del bruciatore	20
<b>Funzione</b>	Funzioni generali di sicurezza	21
	Programmatore di comando e sicurezza LMO44	22
	Pompa del bruciatore	23
<b>Installazione</b>	Montaggio del bruciatore	24
	Connessione elettrica	25
	Controlli da eseguire prima della messa in funzione	25
	Linea di alimentazione del combustibile	26
<b>Messa in funzione</b>	Dati di configurazione - regolazione dell'aria	28
	Regolazione del bruciatore	29
	Regolazione pressione del gasolio	29
	Registrazione dati di messa in funzione	29
<b>Assistenza</b>	Manutenzione	30
	Possibili inconvenienti	31
<b>Panoramica</b>	Schemi elettrici	71-72
	Parti di ricambio	73-75

### Avvertenze importanti

I bruciatori Ecoflam sono stati progettati e costruiti nel rispetto delle normative e direttive correnti.



**Tutti i bruciatori rispondono alle normative sulla sicurezza e sul risparmio energetico nel limite del campo di lavoro dichiarato.**



**Il bruciatore non deve funzionare fuori del campo di lavoro.**

La qualità del prodotto è garantita dal sistema di certificazione in base alla norma ISO 9001:2008.

I bruciatori MAXFLAM sono progettati per la combustione di olio pesante, con basse emissioni inquinanti. I bruciatori sono conformi alla norma EN 267.



**Montaggio, messa in funzione e manutenzione devono essere eseguiti esclusivamente da personale tecnico autorizzato, nel rispetto delle direttive e delle prescrizioni in vigore.**

### Descrizione del bruciatore

Il bruciatore MAXFLAM è bistadio, a funzionamento completamente automatico in esecuzione monoblocco. La geometria della testa di combustione permette di ottenere bassi livelli di NOx e di incombusti, massimizzando quindi il rendimento del generatore. Le emissioni possono essere diverse da quelle riscontrate nel laboratorio di prova in quanto dipendono molto dal generatore sul quale il bruciatore è installato.

L'installatore deve rispettare le normative vigenti. Per esempio sono da evitare locali con atmosfere pericolose o non ventilate.

### Imballo e movimentazione

Movimentare il bruciatore ancora imballato con un carrello o un elevatore facendo attenzione a non farlo cadere tenendosi a non più di 20 cm da terra.

Dopo aver tolto l'imballo, controllare che il contenuto sia integro e corrisponda al prodotto ordinato. In caso di dubbi, contattare il produttore.



**L'installazione del bruciatore deve essere effettuata da personale abilitato.**

Se le dimensioni e il peso non consentono un sollevamento manuale, farsi aiutare da un altro operatore, od utilizzare un



sollevatore imbracando il bruciatore con delle fasce se non disponibili i golfari.



Usare gli accessori in dotazione (flangia, guarnizione, perni e dadi) per installare il bruciatore alla

### Dichiarazione di conformità per bruciatori ad olio

Noi,

**Ecoflam Bruciatori S.p.A.**

dichiariamo sotto la nostra responsabilità, che i bruciatori ad olio

### MAXFLAM

sono conformi alle norme elencate:

EN 267	EN 50156-1
EN 55014-1	EN 55014-2
EN 60335-1	EN 60335-2-102
EN 61000-6-2	EN 61000-6-3

Questi prodotti vengono contrassegnati con il marchio CE nel rispetto delle direttive:

**2014/35/UE Low Voltage Directive  
2014/30/UE EMC Directive  
2006/42/EC Machine directive  
2011/65/EU RoHS2 directive**

April, 2018 / Mr. Filippo Maltempi

R&D Director

caldaia facendo attenzione a non danneggiare la guarnizione isolante.

### Si esclude qualsivoglia responsabilità per eventuali danni derivanti dalle seguenti cause:

- utilizzo non conforme.
- montaggio difettoso e/o riparazione a cura dell'acquirente o terzi, ivi inclusa l'applicazione di elementi di origine estranea.

### Consegna e istruzioni per l'uso

Il costruttore dell'impianto di combustione è tenuto a consegnare al gestore dell'impianto, al più tardi all'atto della consegna dello stesso, le istruzioni per l'uso e la manutenzione. Queste istruzioni devono essere appese nel locale di installazione del generatore termico in modo ben visibile. Devono essere indicati l'indirizzo ed il numero telefonico del punto di assistenza più vicino.

### Avvertenza per il gestore

L'impianto dev'essere controllato almeno una volta l'anno da un tecnico specializzato. Al fine di garantire un'esecuzione regolare, si suggerisce di stipulare un contratto per la manutenzione dell'impianto.

## Contenuti generali - Descrizione del bruciatore

### MAXFLAM 30 AB TC 230-400-50

#### NOME

**MAXFLAM** Olio pesante

#### MODELLO (Gas: kW; Olio pesante: kg/h)

**MAXFLAM 30** 36 kg/h - 410 kW

#### TIPO DI FUNZIONAMENTO

- 1 stadio  
**AB** 2 stadi

#### TIPO TESTA

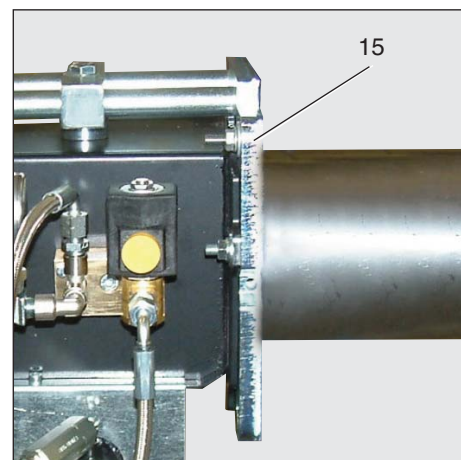
**TC** Testa corta  
**TL** Testa lunga

#### COMBUSTIBILE

Olio combustibile: max visc. 50° E a 50°C

#### TENSIONE DI ALIMENTAZIONE

**230-400-50** 230-400 Volt, 50 Hz



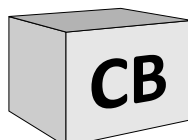
- A1 Siemens LMO44 programmatore di comando e sicurezza
- M1 Motore elettrico per pompa e ventola
- T1 Trasformatore d'accensione
- 5 Viti di fissaggio piastra
- 9 Pannello elettrico
- 15 Flangia bruciatore
- 16 Pulsante di sblocco
- 102 Pompa olio
- 103B Regolazione dell'aria
- 113 Cuffia aria

#### Imballaggio

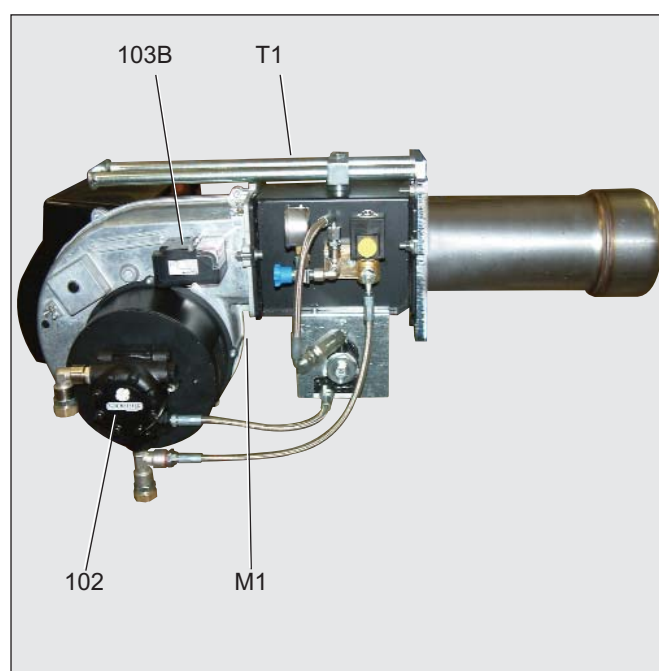
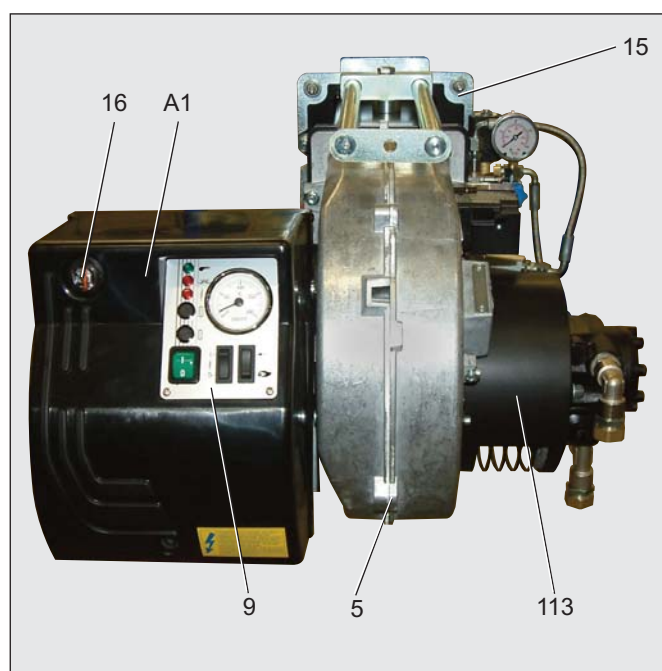
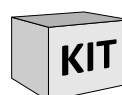
CB: BRUCIATORE COMPLETO

- 1 sacchetto :

- manuale tecnico in multilingue.
- filtro e tubi flessibili.
- ugello e chiave per ugello.
- viti, dadi e rosette.



**KIT & ACS ordinabili e consegnati separatamente**



## Funzione - Funzioni generali di sicurezza

### Funzione di esercizio

- Dare tensione all'impianto. Al raggiungimento della temperatura impostata sul termostato di lavoro, e con i contatti caldaia chiusi, l'apparecchiatura di controllo avvia il ventilatore, la pompa del combustibile ed il trasformatore di accensione. Nello stesso tempo, vengono attivate le resistenze che servono a mantenere ad un valore costante la temperatura del combustibile nel barilotto.

- Il motore si avvia, l'accensione si inserisce e si avvia il tempo di preventilazione di 25 sec.

- Durante la preventilazione, viene controllata la presenza della fiamma segnale sul focolare.

- Al termine della preventilazione, si aprono le elettrovalvole del olio e il bruciatore si avvia.

- Il funzionamento del bruciatore disinserisce l'accensione.

### Disinserimento normale

- Il termostato della caldaia interrompe

la richiesta di calore.

- L'elettrovalvola del olio si chiude e la fiamma si spegne.

- Il motore del bruciatore si spegne

- Il bruciatore è pronto al funzionamento.

### Funzione di sicurezza

Uno spegnimento a causa di possibili disturbi avviene:

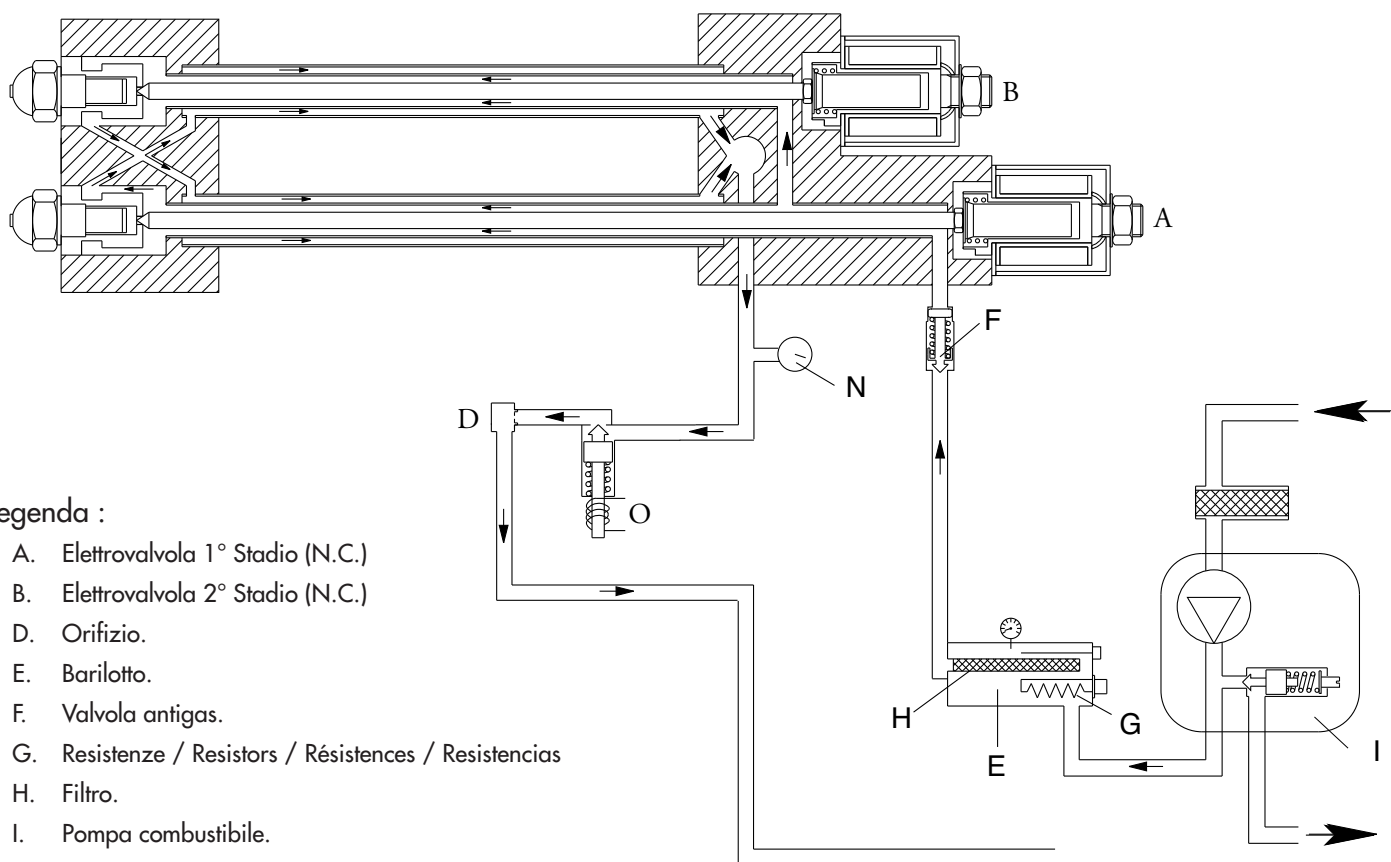
- se durante la preventilazione è presente una fiamma-segnaie (monitoraggio luce esterna);

- se all'accensione (consenso al combustibile) dopo 5 sec. (tempo di sicurezza) non si è accesa nessuna fiamma;

- se, in caso di spegnimento della fiamma quando l'impianto è in funzione, dopo un infruttuoso tentativo di riavvio non si genera alcuna fiamma.

Uno spegnimento in presenza di eventuali anomalie viene segnalato mediante accensione della lampadina di segnalazione guasti e può essere nuovamente resettato non appena

eliminata la causa del malfunzionamento e dopo l'azionamento del pulsante di sblocco.

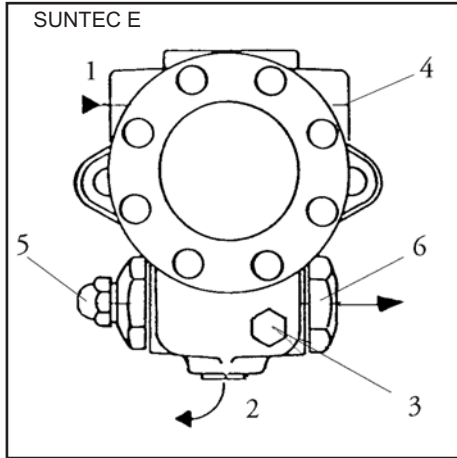


### Legenda :

- A. Elettrovalvola 1° Stadio (N.C.)
- B. Elettrovalvola 2° Stadio (N.C.)
- D. Orifizio.
- E. Barilotto.
- F. Valvola antigas.
- G. Resistenze / Resistors / Résistences / Resistencias
- H. Filtro.
- I. Pompa combustibile.
- N. Manometro.
- O. Elettrovalvola (N.O.).
- N.C. = Norm. chiusa
- N.O. = Norm. aperta



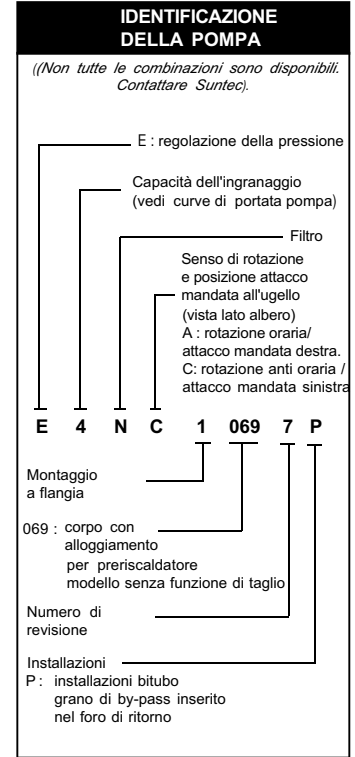
## Funzione - Pompa del bruciatore



- 1 allacciamento aspirazione.
- 2 allacciamento di ritorno.
- 3 allacciamento manometro olio.
- 4 allacciamento manometro depressione.
- 5 regolazione della pressione olio.
- 6 allacciamento pressione.

La pompa utilizzata nei bruciatori di olio è una pompa ad ingranaggi autoadescante, che deve essere collegata con sistema bitubo; nella tubazione d'aspirazione inserire il filtro. Nella pompa sono incorporati un filtro d'aspirazione ed un regolatore di pressione del olio.

Prima della messa in funzione dell'apparecchio collegare i manometri per le misurazioni della pressione e della depressione.  
**NB:** prima di avviare il bruciatore, controllare che il ritorno sia aperto. Un'eventuale ostruzione può causare danni alla guarnizione della pompa.



### DATI TECNICI

#### Generalità

Montaggio	a flangia conforme agli standard EN 225.
Attacchi	cilindrici in accordo con ISO228/1
Entrata e ritorno	G 1/2"
Uscita all'ugello	G 1/4"
Attacco manometro pressione	G 1/8"
Attacco vuotometro	G 1/2"
Funzione della valvola	regolazione della pressione - no taglio
Filtro	superficie utile: 45 cm grado di filtraggio: 550 µm
Albero	Ø 11mm in accordo con standard EN 225.
Grano di By-pass	Inserito nel foro di ritorno per installazioni a 2 tubi; da togliere con chiave tipo Allen 3/16" per installazione monotubo.
Peso	4 kg

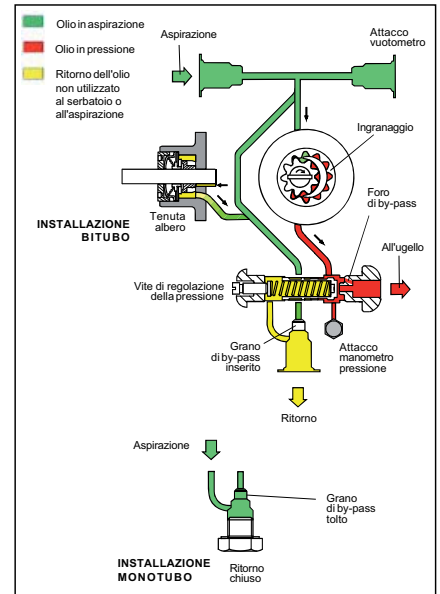
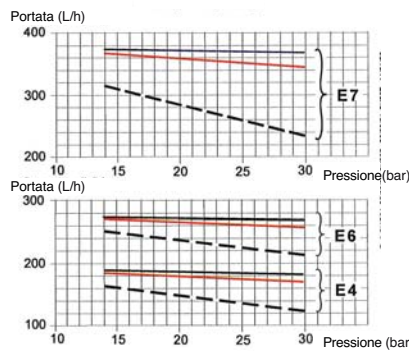
#### Dati idraulici

Campo di pressione all'ugello	14 - 30 bar
Taratura di fabbrica	20 bar
Campo viscosità	3 - 75 cSt
Temperatura olio	0 - 130°C max. nella pompa
Pressione entrata	installazione a gasolio: 0,45 bar max. vuoto per evitare la separazione dell'aria dall'olio installazione a nafta: 3,5 bar max.
Pressione ritorno	installazione a gasolio: 3,5 bar max. installazione a nafta: 3,5 bar max.
Velocità	3600 gpm max.
Coppia (a 40 gpm)	0,3 N.m

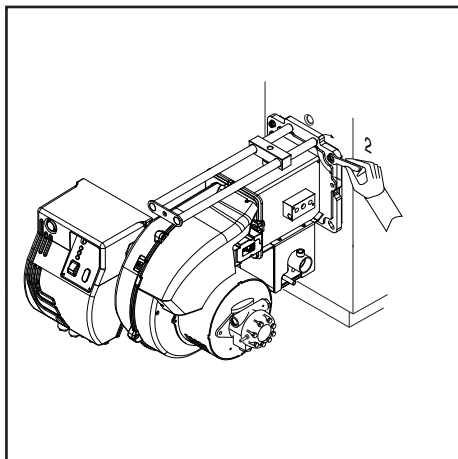
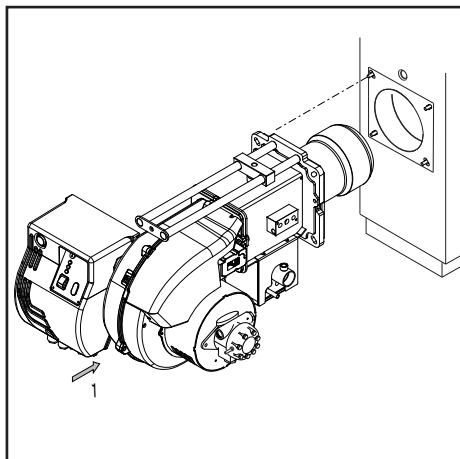
#### Sceita del riscaldatore

Cartuccia	Ø 12 mm
Raccordo di collegamento	in accordo con EN 50262
Potenza	50-80 W

### Portata della pompa



## Installazione - Montaggio del bruciatore



### Montaggio del bruciatore

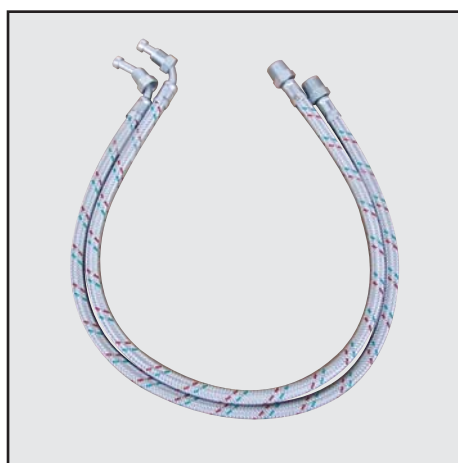
Il bruciatore viene fissato con la flangia di attacco alla caldaia, in tal modo la camera di combustione viene chiusa a tenuta stagna.

### Montaggio:

- Fissare la flangia di attacco alla caldaia con le viti.

### Smontaggio:

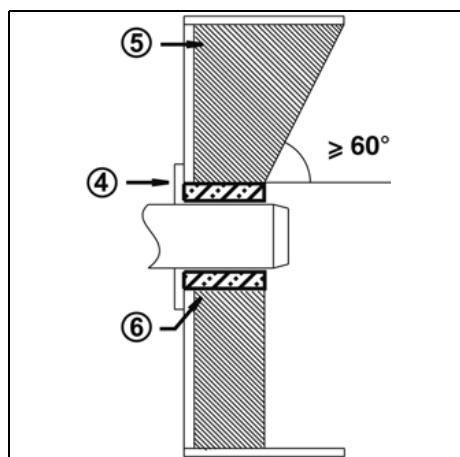
- Allentare le viti.
- Estrarre lentamente il bruciatore dalla caldaia.



### Allacciamento dell'olio

Il filtro deve essere montato in modo tale che sia garantita una corretta guida del tubo flessibile.

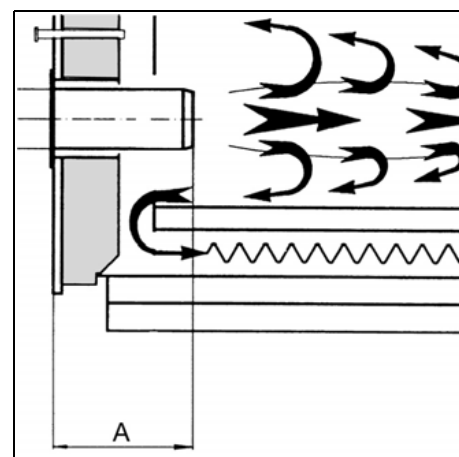
I tubi flessibili non devono essere piegati.



### Profondità di montaggio del bocchaglio del bruciatore e rivestimento refrattario

Per i generatori senza parete anteriore raffreddata e in assenza di indicazioni contrarie da parte del costruttore della caldaia, è necessario eseguire un rivestimento in mattoni o l'isolamento secondo la figura (5) a lato.

Il rivestimento in mattoni non deve sporgere oltre il bordo anteriore del bocchaglio e deve terminare con una conicità massima di 60°. Lo spazio d'aria (6) dev'essere riempito con un materiale isolante elastico, non infiammabile.

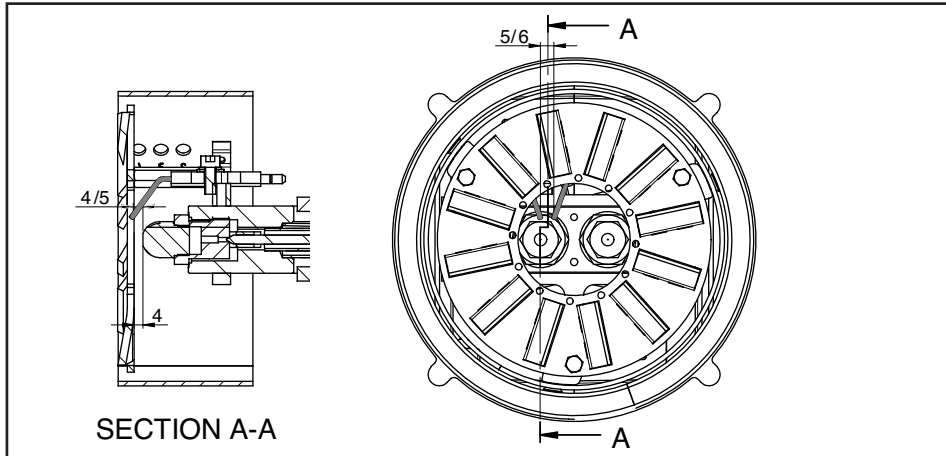


### Condotto dei fumi

Al fine di evitare rumorosità indesiderate si raccomanda di evitare l'utilizzo di raccordi ad angolo retto al momento del collegamento della caldaia al camino.



## Installazione - Connessione elettrica - Controlli da eseguire prima della messa in funzione



### Posizione elettrodi

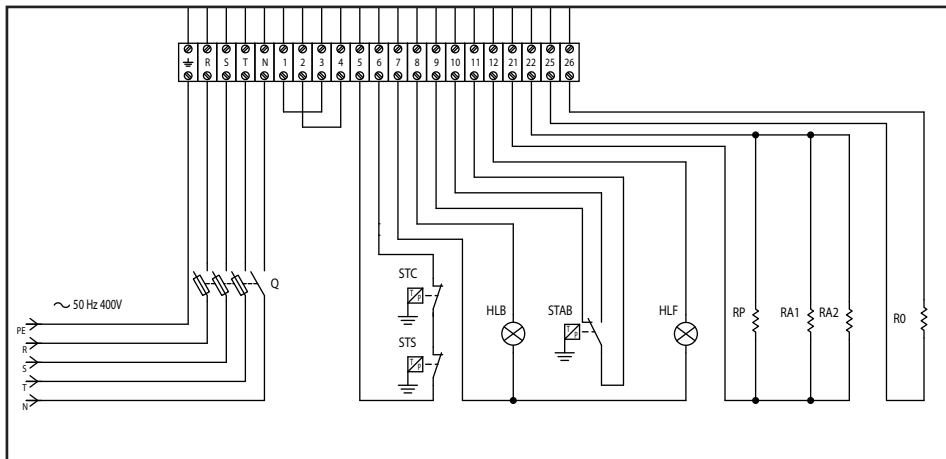
NB: verificare sempre la posizione degli elettrodi dopo il montaggio dell'ugello (vedi figura). Una posizione errata può comportare problemi di accensione.

### Allacciamento elettrico

L'impianto elettrico e i lavori di allacciamento devono essere eseguiti esclusivamente da personale specializzato autorizzato. A tal proposito devono essere rispettate le normative e le direttive vigenti. L'impianto d'alimentazione dovrà essere dotato di un interruttore differenziale di tipo A.

**Rispettare obbligatoriamente le prescrizioni e le direttive in vigore, oltre allo schema elettrico fornito con il bruciatore!**

- Verificare che la tensione di rete corrisponda alla tensione d'esercizio indicata di 230 V, 50/60 Hz corrente monofase con neutro e messa a terra. Fusibile sulla caldaia: 5 A



### Controlli da eseguire prima della messa in funzione

Prima della messa in funzione devono essere controllati i seguenti punti.

- Montaggio del bruciatore secondo le presenti istruzioni.
- Preimpostazione del bruciatore secondo le indicazioni riportate nella tabella di regolazione.
- Controllo degli organi di combustione
- Il generatore termico dev'essere pronto per l'uso, le prescrizioni di montaggio del generatore termico devono essere rispettate.
- Tutti gli allacciamenti elettrici devono

essere eseguiti correttamente.

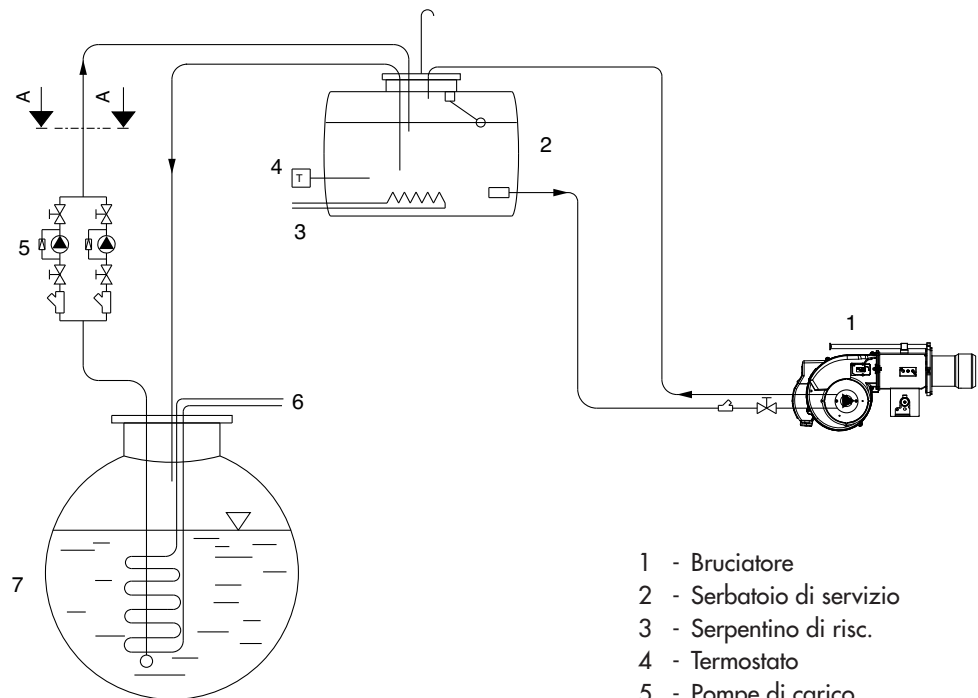
- Il generatore termico ed il sistema di riscaldamento sono pieni d'acqua, le pompe di circolazione sono in funzione.
- Termostati, regolatore di pressione, dispositivo di sicurezza in caso di carenza d'acqua ed altri dispositivi limitatori eventualmente installati sono correttamente collegati e funzionanti.
- Le vie di scarico dei fumi devono essere sgombrare, il dispositivo per l'aria secondaria, se presente, dev'essere in funzione.
- Dev'essere garantito un sufficiente apporto di aria pura.
- Dev'essere presente una richiesta di

riscaldamento.

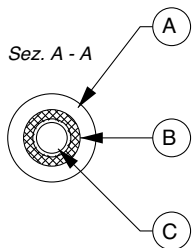
- I serbatoi del combustibile devono essere pieni.
- I condotti per il combustibile devono essere installati a regola d'arte, devono essere sottoposti ad un controllo per garantirne l'ermeticità ed essere disaerati.
- Il punto di misurazione previsto dalla norma per il controllo dei fumi di scarico dev'essere presente, il percorso dei fumi sino al punto di misurazione dev'essere a tenuta stagna in modo che i risultati delle misurazioni non possano essere falsati.

## Installazione - Linea di alimentazione del combustibile

### SCHEMA ALIMENTAZIONE COMBUSTIBILE FINO A 15°E A 50°C

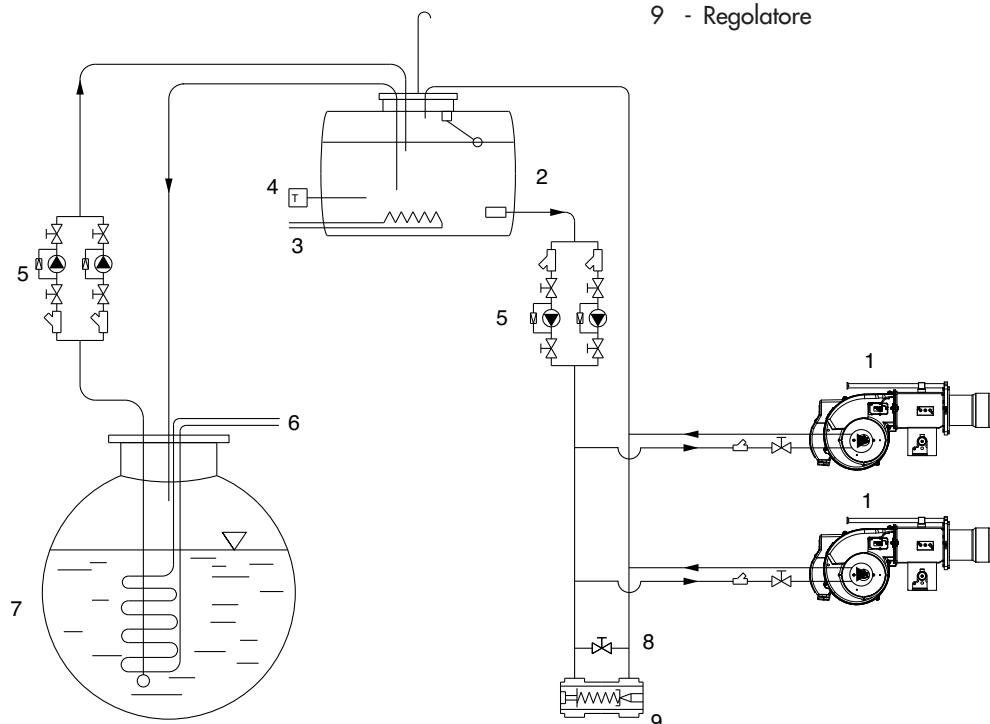


- 1 - Bruciatore
- 2 - Serbatoio di servizio
- 3 - Serpentino di risc.
- 4 - Termostato
- 5 - Pompe di carico
- 6 - Riscaldatore
- 7 - Serbatoio principale
- 8 - By-pass
- 9 - Regolatore



#### Legenda

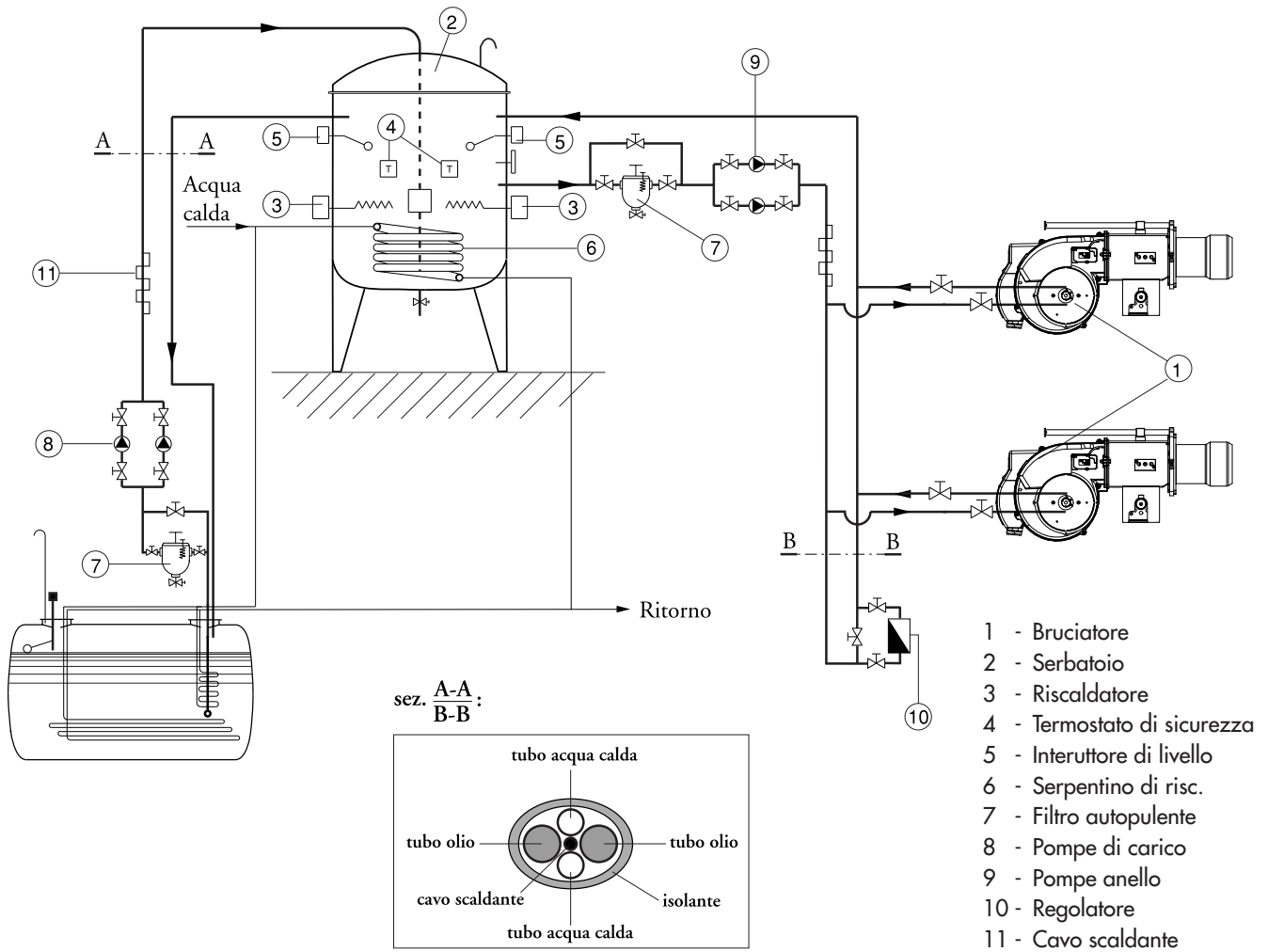
- A - Guaina isolante
- B - Resistenza elettrica
- C - Tubo alim. combust.



**IMPORTANTE:** Tutte le linee di alimentazione sono riscaldate (vedi sez. A-A)

## Installazione - Linea di alimentazione del combustibile

### SCHEMA ALIMENTAZIONE COMBUSTIBILE FINO A 50°E A 50°C



**IMPORTANTE:** Tutte le linee di alimentazione sono riscaldate (vedi sez. A-A)

## Messa in funzione - Dati di configurazione - Regolazione dell'aria

Maxflam 30 AB											
potenza bruciatore kW		pressione in camera mbar		portata olio kg/h		ugello 60° HO		pressione pompa bar	regolazione testa	regolazione aria serranda su servocomando	
1° stadio	2° stadio	1° stadio	2° stadio	1° stadio	2° stadio	1° stadio	2° stadio			1° stadio	2° stadio
205	274	1,6	3,3	18	24	3,00	1,00	23	1	18°	30°
<b>239</b>	<b>331</b>	<b>1,3</b>	<b>3,7</b>	<b>21</b>	<b>29</b>	<b>3,50</b>	<b>1,50</b>	<b>23</b>	<b>2</b>	<b>20°</b>	<b>40°</b>
274	388	1	4	24	34	4,00	2,00	23	3	20°	60°

Maxflam 50 AB											
potenza bruciatore kW		pressione in camera mbar		portata olio kg/h		ugello 60° HO		pressione pompa bar	regolazione testa	regolazione aria serranda su servocomando	
1° stadio	2° stadio	1° stadio	2° stadio	1° stadio	2° stadio	1° stadio	2° stadio			1° stadio	2° stadio
205	296	1,5	3,5	18	26	3,00	1,50	23	1	15°	40°
<b>262</b>	<b>388</b>	<b>1,3</b>	<b>4</b>	<b>23</b>	<b>34</b>	<b>4,00</b>	<b>2,00</b>	<b>22</b>	<b>2</b>	<b>20°</b>	<b>50°</b>
308	479	1,4	4,7	27	42	4,50	2,50	23	3	20°	50°

Le regolazioni indicate sopra sono **regolazioni base**. Con queste impostazioni, normalmente, il bruciatore può essere messo in funzione. La regolazione deve poi essere verificata

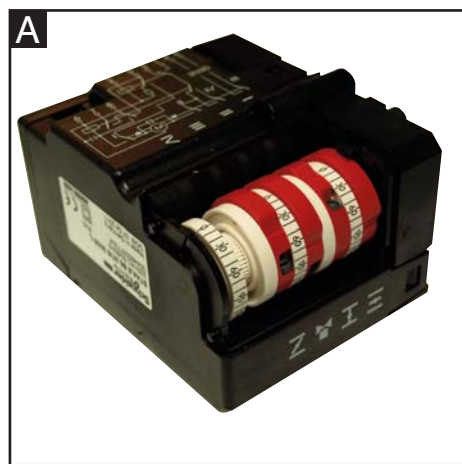
utilizzando un analizzatore di combustione. Potrebbero rivelarsi necessarie correzioni subordinate al singolo impianto. Valori di combustione favorevoli si

possono ottenere mediante l'uso degli ugelli seguenti:

DANFOSS H+S 80°+60°

DELAVAN W 60°

STEINEN S 60°



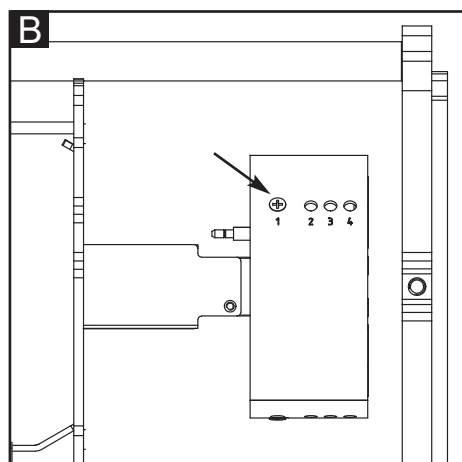
### Regolazione dell'aria (A).

Togliere il coperchio per accedere alle camme di regolazione. Lo spostamento delle camme va effettuato con l'ausilio di un giravite a taglio

Descrizione :

- I - Camma di regolazione posizione di apertura in 2° fiamma (potenza max.).
- II - Camma di regolazione della posizione serranda allo spegnimento (chiusura) 0°.
- III - Camma di consenso all'apertura dell'elettrovalvola del 2° stadio.
- IV - Camma di regolazione posizione di apertura in 1° fiamma (potenza min.).

**Nota** : la camma III (di consenso all'apertura dell'elettrovalvola del 2° stadio) va regolata in una posizione intermedia tra quella di 1° fiamma e quella di 2° fiamma (ad un angolo di circa 5° superiore a quello della posizione di 1° fiamma).



### Regolazione della testa di combustione (B).

Estrarre il bruciatore dalla flangia. Modificare la posizione della fascia (1,2,3,4) sulla testa agendo sulla vite con un cacciavite fino a raggiungere il valore desiderato. Fissare la fascia e rimontare il bruciatore nella flangia.

## Messa in funzione - Regolazione del bruciatore - Regolazione pressione dell'olio



**Pericolo di deflagrazione:** durante le operazioni di regolazione, verificare costantemente le emissioni di CO, CO<sub>2</sub> e l'indice di fumosità. In presenza di formazioni di CO modificare i valori della combustione. Il valore massimo di CO non deve superare i 50ppm.

### Avviamento del bruciatore

Prima dell'avviamento del bruciatore, caricare le tubazioni fino al riempimento del filtro olio. Avviare quindi il bruciatore agendo sul termostato della caldaia. Per eliminare completamente l'aria dalla tubazione dell'olio, svitare le vite di spurgo nel filtro dell'olio durante la fase di preventilazione. Nel corso di questa operazione non è consentito superare una depressione di 0,4 bar. Quando fuoriesce gasolio senza bolle ed il filtro è completamente pieno di olio, chiudere nuovamente la vite di spurgo.

### Regolazione della potenza del bruciatore

Regolare la pressione del olio in modo che il bruciatore eroghi la potenza desiderata, agendo sul regolatore di pressione. Controllare sempre i valori della combustione (CO, CO<sub>2</sub>, indice di fumosità). Se necessario, modicare la portata d'aria, procedendo eventualmente in modo progressivo.

### Ottimizzazione dei valori della combustione

In caso di valori di combustione non soddisfacenti modificare la posizione della testa di combustione. In questo modo vengono modificati il comportamento di avviamento e i valori della combustione. Se necessario, compensare la variazione della portata d'aria mediante la regolazione della serranda dell'aria.

**Attenzione:** in caso di installazione su caldaia, rispettare la temperatura minima dei fumi di scarico secondo le indicazioni del costruttore della caldaia e secondo i requisiti del sistema di scarico fumi, al fine di evitare la formazione di condensa.

### Regolazione pressione del gasolio

Per regolare la pressione del olio (e quindi la potenza del bruciatore) agire sul regolatore di pressione **5** nella pompa.

Ruotare verso:

- destra: aumento della pressione;
- sinistra: riduzione della pressione.

Per il controllo è necessario collegare un manometro all'allacciamento **3**, filettatura R1/8"

### Controllo depressione

Il vacuometro per il controllo della depressione dev'essere collegato al raccordo **4**, R1/8".

Depressione massima consentita 0,4 bar. Con depressione superiore, l'olio gasifica provocando un rumore stridulo e il danneggiamento della pompa.

### Regolazione termostati olio combustibile

Il termostato di lavoro delle resistenze va impostato sui 100-140 °C e il termostato di sicurezza è prearato. Queste regolazioni possono essere leggermente modificate in funzione del tipo di combustibile e di particolari applicazioni.

- A - Termostato di lavoro (100-140 °C).
- B - Termostato di sosta (150 °C).
- C - Termostato testa di combustione (120-140 °C).

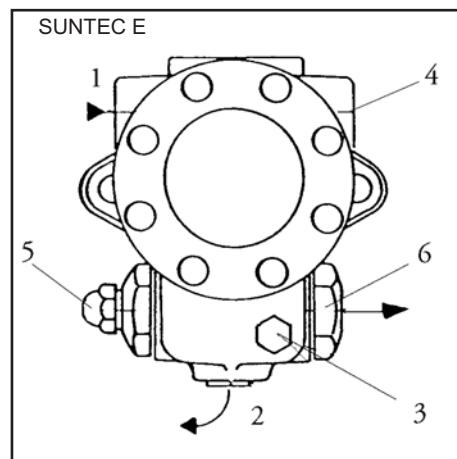
### Controllo funzionamento

Un controllo di sicurezza del monitoraggio fiamma dev'essere eseguito sia in occasione della prima messa in funzione, sia dopo aver eseguito revisioni o dopo un lungo periodo di inattività dell'impianto.

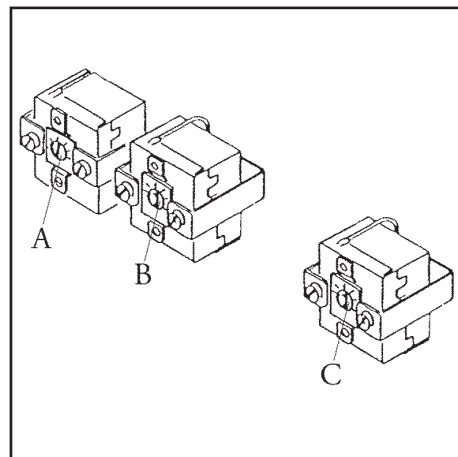
- Tentativo di avviamento con rivelatore di fiamma oscurato: al termine del tempo di sicurezza il programmatore di comando deve spostarsi su anomalia.

- Avviamento con rivelatore di fiamma illuminato: dopo 5 secondi di preaerazione il programmatore di comando deve spostarsi su anomalia.

- Avviamento normale: quando il bruciatore è in funzione, oscurare il rivelatore di fiamma: dopo un nuovo avviamento ed al termine del tempo di sicurezza il programmatore di comando deve spostarsi su anomalia.



- 1 allacciamento aspirazione.
- 2 allacciamento di ritorno.
- 3 allacciamento manometro olio
- 4 allacciamento manometro depressione.
- 5 regolazione della pressione dell'olio
- 6 allacciamento pressione



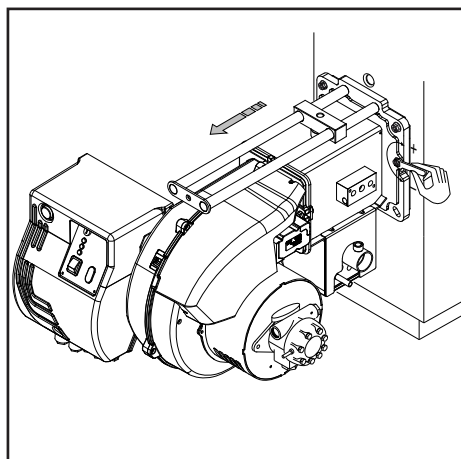
<b>Registrazione dati di messa in funzione</b>		
Test	n°1	n°2
Data		
Modello		
Tipo olio		
Valore calorifico olio		
Potenza bruciatore	min	kW
Potenza bruciatore	max	kW
Temperatura fumi		C°
Temperatura aria		C°
CO <sub>2</sub>		%
CO		ppm
NOx		ppm
Rendimento		%
Azione correttiva		
Nome operatore		
Azienda		

## Assistenza - Manutenzione

Gli interventi di assistenza sulla caldaia e sul bruciatore devono essere eseguiti esclusivamente da personale tecnico addestrato nel campo del riscaldamento. Al fine di garantire una regolare esecuzione degli interventi di assistenza, si consiglia al gestore dell'impianto di stipulare un contratto di assistenza.

### Attenzione

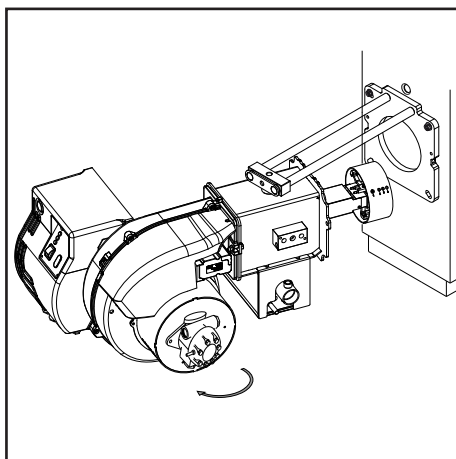
- Prima degli interventi di manutenzione e pulizia, disinserire la corrente.



- Il bocaglio ed i componenti della testa possono essere caldi.

### Controllo della temperatura dei fumi di scarico

- Controllare regolarmente la temperatura dei fumi di scarico.
- Pulire la caldaia se la temperatura dei fumi di scarico supera il valore della messa in funzione di oltre 30°C.
- Al fine di semplificare il controllo, installare un display per la visualizzazione della temperatura dei fumi di scarico.

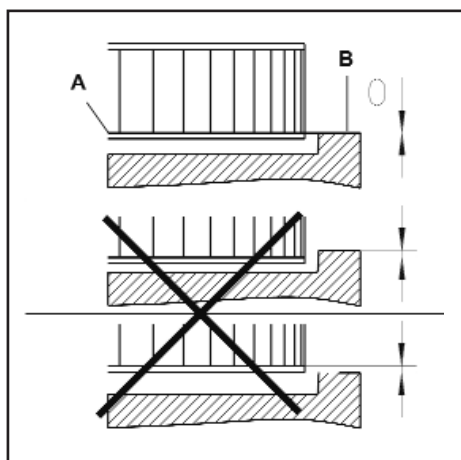


### Posizioni di manutenzione del bruciatore

- Dopo aver allentato le viti di fissaggio alla flangia del bruciatore, è possibile estrarlo e ruotarlo nella posizione di manutenzione per: sostituzione dell'ugello sostituzione/regolazione elettrodi pulizia/sostituzione del disco regolazione testa

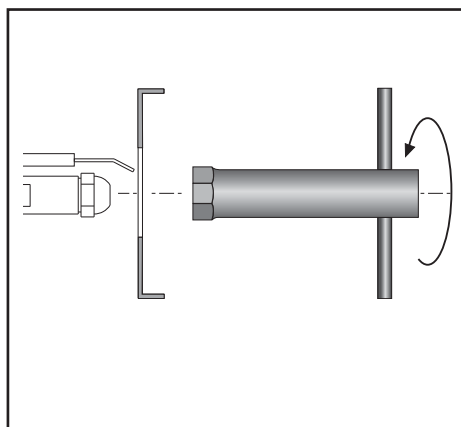
### Interventi di manutenzione sul bruciatore

- Pulire ventola a carter e controllare che non presentino danni.
- Controllare e pulire i dispositivi di miscelazione.
- Sostituire l'ugello.
- Controllare gli elettrodi di accensione ed eventualmente regolarli o sostituirli.
- Montare il dispositivo di miscelazione. Rispettare i dati di taratura.
- Montare il bruciatore.
- Avviare il bruciatore, controllare i dati dei fumi di scarico ed eventualmente correggere le regolazioni del bruciatore.
- Verificare la tenuta e lo stato di usura di tutti i componenti di alimentazione del olio (flessibili, pompa, tubetto pompa) e dei relativi raccordi ed eventualmente sostituirli.
- Controllare la presenza di danni su connessioni elettriche e cavi di raccordo ed eventualmente sostituirli.
- Controllare ed eventualmente pulire il filtro della pompa.



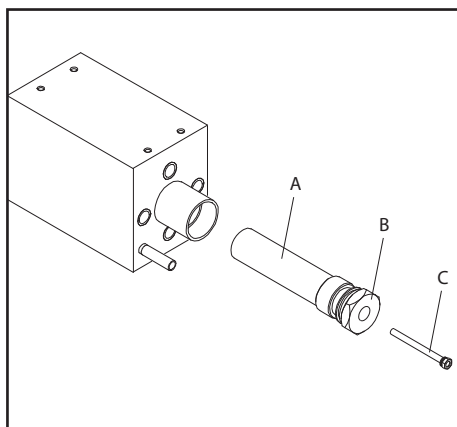
### Montaggio della ventola

In caso di sostituzione della ventola o del motore, fare riferimento allo schema di posizionamento. Allineare la flangia interna A della ventola con la piastra B. Inserire un righello tra le pale della ventola e portare A e B alla stessa altezza, serrare la vite senza testa con intaglio sulla ventola.



### Pulizia e sostituzione dell'ugello

Utilizzare solo l'apposita chiave fornita in dotazione per rimuovere l'ugello, facendo attenzione a non danneggiare gli elettrodi. Montare il nuovo ugello con la medesima



### Pulizia del filtro preriscaldatore

Estrazione del filtro:

- 1 Spegnerne il bruciatore e lasciare raffreddare.
- 2 Togliere il bulbo del termometro olio C.
- 3 Allentare la vite B e scaricare una parte dell'olio contenuto nel barilotto affinché il livello del liquido scenda al di sotto di quello del filtro.
- 4 Svitare ed estrarre dalla propria sede il gambo del filtro A.
- 5 Dopo aver pulito il filtro, rimontarne le parti come indicato in figura e reinserirlo nella propria sede.

E' buona norma sostituire tutte le guarnizioni del filtro e della valvola ogni qualvolta questi vengono smontati.

**Note: Si ricorda che, quando il bruciatore è in funzione, nel barilotto si ha una pressione di circa 23 bar e che quindi diventa molto pericoloso eseguire le precedenti operazioni con il bruciatore funzionante.**

cura. **NB:** verificare sempre la posizione degli elettrodi dopo il montaggio dell'ugello (vedi figura). Una posizione errata può comportare problemi di accensione.

## Assistenza - Possibili inconvenienti

### Cause ed eliminazione delle anomalie

In presenza di anomalie, devono essere controllati i presupposti fondamentali per il corretto funzionamento dell'impianto:

1. C'è corrente?
2. C'è olio nel serbatoio?
3. I rubinetti di arresto sono tutti aperti?
4. Tutti gli apparecchi di regolazione e sicurezza come il termostato caldaia, il dispositivo di sicurezza in caso di carenza d'acqua, il finecorsa, ecc., sono impostati?

Nel caso in cui, dopo il controllo dei punti suddetti, l'anomalia persistesse, usare le seguente tabella.

I componenti di sicurezza non devono essere riparati, bensì devono essere

sostituiti con componenti riportanti lo stesso codice articolo.

### Utilizzare esclusivamente pezzi originali del costruttore.

### NB: Dopo ogni intervento controllare:

- i valori di combustione in condizioni di esercizio (porta del locale caldaia chiusa, copertura montata, ecc.).
- registrare i valori di combustione nel libretto di centrale.


Tabella codici errori		
Lampeggi (LED)	«AL» term. n°10	Possible cause
2 lampeggi	on	Assenza di fiamma al termine del tempo di sicurezza all'accensione «TSA» - elettrovalvole difettose - rilevatore fiamma difettoso - regolazione bruciatore errata - elettrodi difettosi
3 lampeggi	on	Non utilizzati
4 lampeggi	on	Luci estranee durante la fase di pre-ventilazione
5 lampeggi	on	Non utilizzati
6 lampeggi	on	Non utilizzati
7 lampeggi	on	Troppe mancanze di fiamma durante il funzionamento (superato il limite del n° di ripetizioni del ciclo) - elettrovalvole difettose. - rilevatore fiamma difettoso - regolazione bruciatore errata.
8 lampeggi	on	Controllo del tempo riscaldamento combustibile - Più di 5 commutazioni del consenso preriscaldatore( durante la preventilazione)
9 lampeggi	on	Non utilizzati
10 lampeggi	off	Contatti in uscita difettosi o guasto del dispositivo interno Più di 3 errori temporanei nei contatti in uscita.


## Contenus généraux - Sommaire - Notices générales - Déclaration de conformité

<b>Vue d'ensemble</b>	Données techniques	3
	Domaine de fonctionnement	4
	Dimensions	5
<b>Contenus généraux</b>	Sommaire	32
	Notices générales	32
	Déclaration de conformité	32
	Description du brûleur	33
<b>Fonction</b>	Fonctions générales de sécurité	34
	Coffret de commande et de sécurité Siemens LMO44	35
	Pompe du brûleur	36
<b>Installation</b>	Montage du brûleur	37
	Raccordement électrique	38
	Contrôles avant la mise en service	38
	Ligne d'alimentation en combustible	39
<b>Mise en service</b>	Données de configuration - Réglage de l'air	41
	Réglage du brûleur	42
	Réglage de la pression fuel	42
	Enregistrement des données de mise en service	42
<b>Maintenance</b>	Entretien	43
	Problèmes possibles	44
<b>Vue d'ensemble</b>	Schémas électrique	71-72
	Pièces de rechange	73-75

### Mise en garde


Les brûleurs Ecoflam ont été conçus et construits dans le respect des réglementations et des directives actuelles

 **Tous les brûleurs sont conformes aux réglementations relatives à la sécurité et aux économies d'énergie dans la limite du domaine d'utilisation déclaré.**

 **Le brûleur ne doit pas être utilisé en dehors de la plage de travail.**

La qualité du produit est garantie par le système de certification conformément à la norme ISO 9001:2008.

Les brûleurs MAXFLAM sont conçus pour la combustion de fioul lourd.

 **Les brûleurs répondent à la norme EN 267. Le montage, la mise en route et l'entretien ne peuvent être exécutés que par des spécialistes autorisés, dans le respect des directives et prescriptions en vigueur.**

### Description du brûleur

Le brûleur MAXFLAM est deux étapes, à fonctionnement complètement automatique en exécution monobloque. La géométrie de la tête de combustion permet d'obtenir de faibles niveaux de NOx et d'imbrûlés, pour un meilleur rendement du générateur.

Les émissions peuvent différer de celles recensées dans le laboratoire d'essai puisque cela dépend beaucoup du

générateur sur lequel le brûleur est installé.

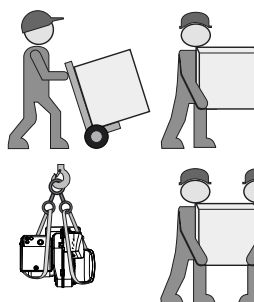
L'installateur doit respecter les normes en vigueur. Par exemple, éviter les locaux dangereux et non ventilés.

### Emballage et manutention

Manipuler le brûleur encore emballé avec un chariot ou un chariot élévateur, en faisant attention à ne pas le laisser tomber à plus de 20 cm du sol. Après avoir enlevé l'emballage, vérifier que le contenu est intact et correspond au produit commandé. En cas de doute, contacter le producteur.

 **L'installation du brûleur doit être effectuée par un personnel agréé.**

Si la taille et le poids ne permettent pas un levage manuel, se faire aider par un autre opérateur, ou utiliser un dispositif de



levage, en élinguant le brûleur avec les courroies si les œillets ne sont pas disponibles.

### Déclaration de conformité pour brûleurs fioul

Nous,

**Ecoflam Bruciatori S.p.A.**

déclarons sous notre responsabilité, que les brûleurs fioul lourd

### MAXFLAM

sont en conformité avec les normes suivantes:

**EN 267 EN 50156-1**  
**EN 55014-1 EN 55014-2**  
**EN 60335-1 EN 60335-2-102**  
**EN 61000-6-2 EN 61000-6-3**

Ces produits sont marqués avec la marque CE dans le respect des directives:

**2014/35/UE Low Voltage Directive**  
**2014/30/UE EMC Directive**  
**2006/42/EC Machine directive**  
**2011/65/EU RoHS2 directive**

April, 2018 / Mr. Filippo Maltempi

*R&D Director*  




Utiliser les accessoires fournis (bride, joint, boulons et écrous) pour installer le brûleur sur la chaudière, en prenant soin de ne pas endommager le joint isolant.

**Les dommages résultant des causes suivantes ne pourront pas être couverts par la garantie:**

- utilisation inappropriée.
- installation et/ou remise en état erronées par l'acheteur ou par un tiers, y compris la mise en place de pièces d'autres origines.

### Remise de l'installation et conseils d'utilisation

L'artisan qui réalise l'installation doit donner à l'utilisateur, au plus tard au moment de la réception de l'installation, les notices d'utilisation et d'entretien. Elles doivent être conservées bien visibles dans la chaufferie. L'adresse et le numéro d'appel de la station-service la plus proche doivent y être inscrits.

### Conseils à l'utilisateur

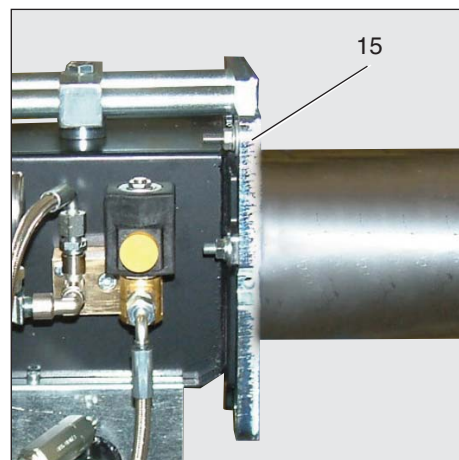
L'installation doit être vérifiée au moins une fois par an par un spécialiste. Pour en garantir l'exécution régulière, la conclusion d'un contrat d'entretien est fortement conseillée. contract to guarantee regular servicing.



## Contenus généraux - Description du brûleur

MAXFLAM 30 AB TC 230-400-50

<b>NOM</b>	
MAXFLAM	Fioul lourd
<b>MODÈLE (Gaz: kW; fioul lourd: kg/h)</b>	
MAXFLAM 30	36 kg/h - 410 kW
<b>TYPE DE FONCTIONNEMENT</b>	
-	1 allure
AB	2 allure
<b>TYPE TETE</b>	
TC	Tête courte
TL	Tête longue
<b>COMBUSTIBLE</b>	
Fioul lourd: max visc. 50° E a 50°C	
<b>TENSION D'ALIMENTATION</b>	
230-400-50	230-400 Volt, 50 Hz



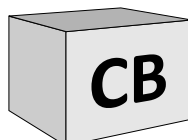
- A1 Siemens LMO44 Coffret de commande et de sécurité.
- M1 Moteur électrique pour pompe et ventilateur
- T1 Transformateur d'allumage
- 5 Vis de fixation palque
- 9 Tableau de commande
- 15 Bride du brûleur
- 16 Bouton de déblocage
- 102 Pompe
- 103B Régulation de l'air
- 113 Volet d'air

### Emballage

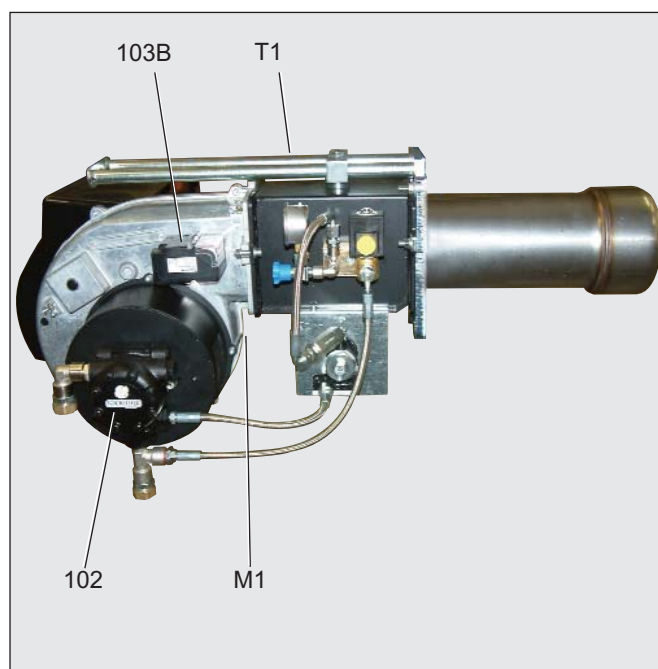
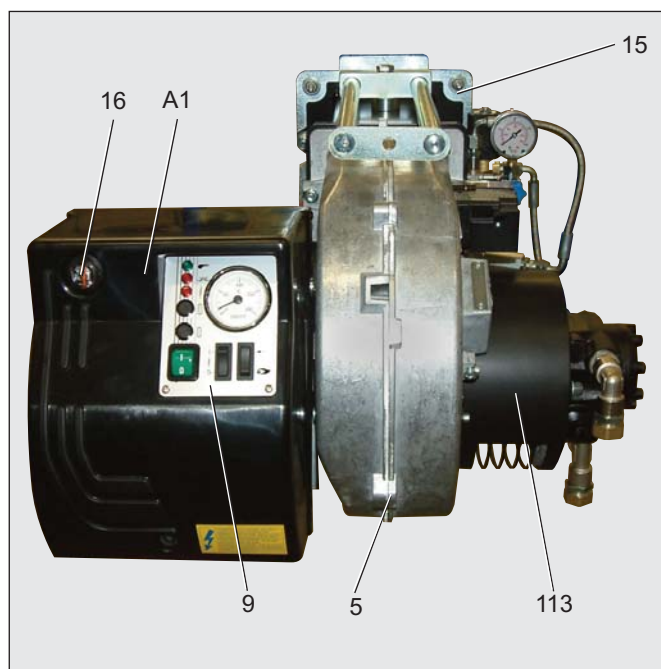
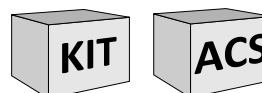
CB: BRÛLEUR JE COMPLÈTE

- 1 sachet :

- manuel technicien dans multilingue.
- filtre et flexibles.
- gicleur et clé pour gicleur.
- vis, écrous et rondelles.



### KIT & ACS commandés et livrés séparément



## Fonction - Fonctions générales de sécurité

### Fonctionnement

- Mettre l'installation sous tension. Une fois que la température réglée sur le thermostat de travail est atteinte et les contacts de la chaudière sont fermés, le dispositif de contrôle met en marche le ventilateur, la pompe à combustible et le transformateur d'allumage. En même temps, les résistances qui servent à maintenir constante la température du combustible dans le réchauffeur s'allument.

- Le moteur démarre, l'allumeur est activé et le temps de pré ventilation (25 s) débute.

- Pendant la préventilation, le foyer est surveillé pour détecter une éventuelle présence de flamme.

- A l'issue de la préventilation, l'électrovanne fioul lourd s'ouvrent et le brûleur démarre.

- Pendant le fonctionnement, le circuit d'allumage est coupe.

### Arrêt de régulation

- Le régulateur de la chaudière interrompt

la demande de chauffe.

- L'électrovanne fioul lourd se ferment et la flamme s'éteint.

- Le moteur du brûleur s'arrête.

- Le brûleur est prêt à fonctionner.

### Fonction de sécurité

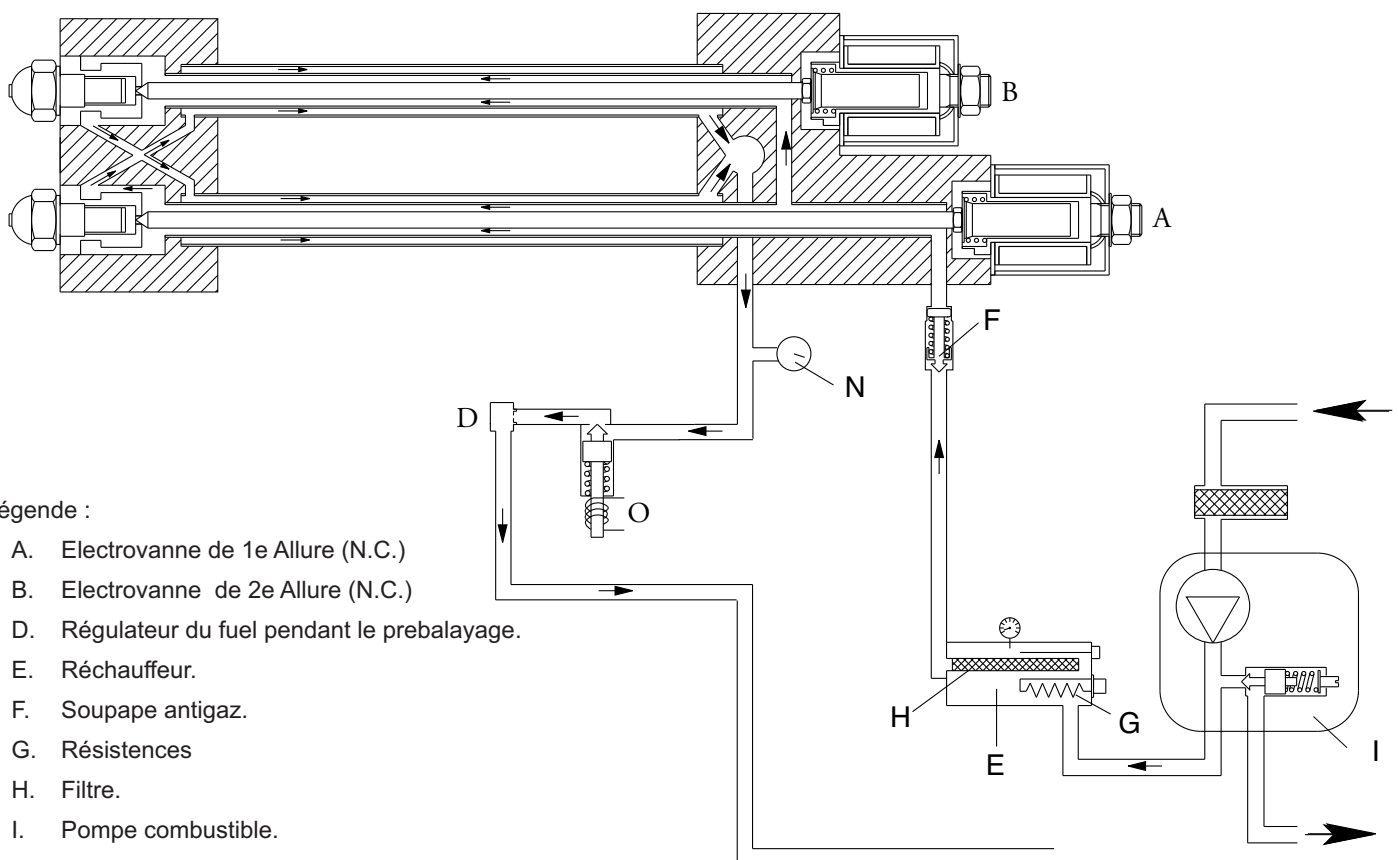
Une mise en sécurité intervient :

- lorsque pendant la préventilation, un signal de flamme est détecté (monitorage lumière extérieure);

- lorsque, au moment du démarrage (autorisation d'admission du combustible), aucune flamme ne s'est formée au bout de 5 secondes (temps de sécurité);

- si, en cas d'extinction accidentelle pendant le fonctionnement et après une tentative de réallumage, aucune flamme n'apparaît.

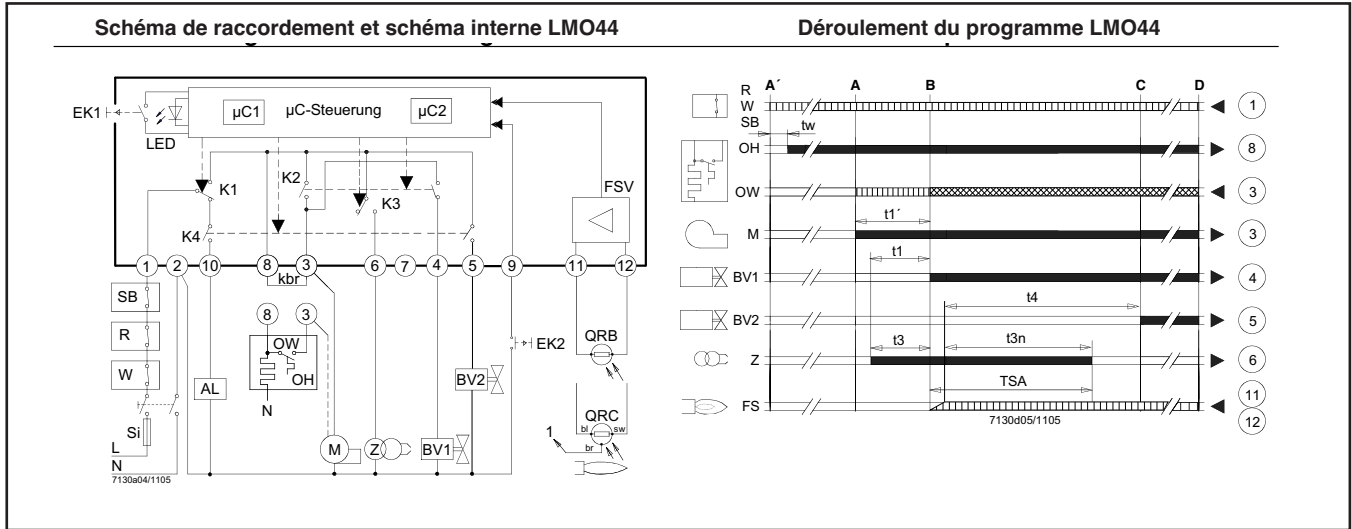
Une mise en sécurité est signalée par le témoin de défaut. Le déverrouillage du brûleur se fait, après élimination de la cause du défaut, par pression sur le bouton de déverrouillage.



Légende :

- A. Electrovanne de 1e Allure (N.C.)
- B. Electrovanne de 2e Allure (N.C.)
- D. Régulateur du fuel pendant le prebalayage.
- E. Réchauffeur.
- F. Soupape antigaz.
- G. Résistances
- H. Filtre.
- I. Pompe combustible.
- N. Manomètre.
- O. Elettrovalvola (N.O.).
- N.C. = Norm. fermée
- N.O. = Norm. ouverte

# Fonction - Coffret de commande et de sécurité Siemens LMO44

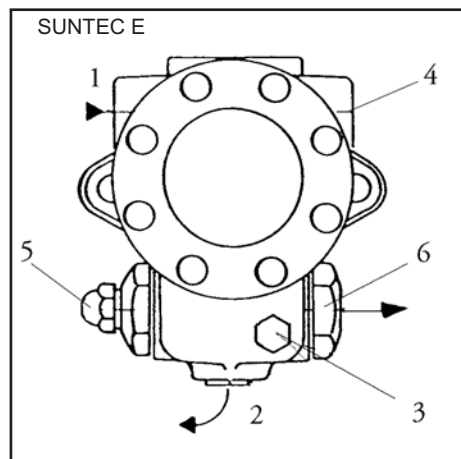


**!** Avant le montage ou le démontage du coffret de sécurité, l'appareil doit être mis hors tension. Il ne faut ni ouvrir ni réparer le coffret de sécurité.

- |   |   |   |
|---|---|---|
| AL Dispositif d'alarme  | QRB Sonde à photorésistance                                   | flamme et libération de «BV2»                         |
| BV... Vanne de combustible  | QRC Sonde de flamme bleue (bl = bleu, br = marron, sw = noir) | A' Début de la mise en service brûleur avec «OH»      |
| EK1 Touche de déverrouillage  | R Thermostat ou pressostat                                    | A Début de la mise en service pour brûleurs sans «OH» |
| EK2 Touche de déverrouillage à distance                                       | SB Limiteur de sécurité                                       | B Instant de formation de la flamme                   |
| FS Signal de flamme   | Si Fusible externe  | C Position de fonctionnement                          |
| FSV Amplificateur de signal de flamme   | W Thermostat de sécurité ou pressostat                        | D Arrêt par régulation par «R»                        |
| K... Contacts relais de commande  | Z Transformateur d'allumage                                   |   |
| kbr Câble de liaison, uniquement pour raccordement sans préchauffeur de fioul | TSA Temps de sécurité au démarrage                            |   |
| LED Voyant à trois couleurs   | tw Temps d'attente  |   |
| M Moteur du brûleur   | t1 Temps de préventilation                                    |   |
| OW Contact d'asservissement du préchauffeur de fioul                          | t1' Temps de ventilation                                      |   |
| OH Préchauffeur de fioul  | t3 Temps de préallumage                                       |   |
|   | t3n Temps de post-allumage                                    |   |
|   | t4 Intervalle entre signalisation de                          |   |

Table des codes de couleur du voyant (LED) multicolore		
Etat	Code Couleur	Etat du voyant
Temps d'attente "tw", états d'attente divers	○ .....	éteint
Le préchauffeur de fioul chauffe, temps d'attente «tw»	● .....	jaune
Phase d'allumage, allumage activé	●●●●●●●●●●●●●●●●●●●●●●●●●●●●	clignote jaune
Fonctionnement, flamme correcte	□ .....	vert
Fonctionnement, flamme défectueuse	□□□□□□□□□□□□□□□□□□□□	clignote vert
Lumière parasite lors du démarrage du brûleur	□▲□▲□▲□▲□▲□▲□▲□▲□▲□▲□▲	vert-rouge
Sous-tension	●▲●▲●▲●▲●▲●▲●▲●▲●▲●▲●▲●▲	jaune-rouge
Défaut, alarme	▲ .....	rouge
Emission du code de défaut, voir «Tableau des codes de défaut»	▲○▲○▲○▲○▲○▲○▲○▲○▲○▲○▲○	clignotement rouge
Diagnostic d'interface	▲▲▲▲▲▲▲▲▲▲▲▲▲▲▲▲▲▲▲▲▲▲	faible clignotement rouge
Légende:	..... permanent ○ éteint	▲ rouge ● jaune □ vert

## Fonction - Pompe du brûleur



- 1 connexion d'aspiration.
- 2 connexion de retour.
- 3 connexion manomètre.
- 4 connexion vacuomètre.
- 5 réglage de la pression du fioul lourd.
- 6 connexion pression.

La pompe utilisée sur le brûleur de fioul domestique est une pompe auto-amorçante à engrenages qui doit être raccordée à un système bitube ; introduire le filtre dans la conduite d'aspiration. La pompe comprend un filtre d'aspiration et un régulateur de pression du fioul lourd. Avant la mise en fonction de l'appareil,

raccorder les manomètres de mesure de la pression et de la dépression.

N.B. : avant de démarrer le brûleur, contrôler que le retour est ouvert. Une éventuelle obstruction peut endommager le joint de la pompe.

### CARACTERISTIQUES TECHNIQUES

#### Généralités

Fixation	par bride selon la norme EN 225.
Raccordements	Cylindriques selon ISO 228/1
Aspiration et return	G 1/2"
Sortir ligne gicleur	G 1/4"
Prise de pression	G 1/8"
Prise vacuomètre	G 1/2"
Fonction du régulateur	régulation de la pression sans coupure.
Filtre	surface ouverte: 45 cm ouverture de la maille: 550 µm
Arbre	Ø 11mm selon la norme EN 225.
Bouchon de dérivation	monté dans l'orifice de retour pour raccordement bitube; à démonter avec une clé Allen de 3/16" pour raccordement monotube.
Poids	4 kg

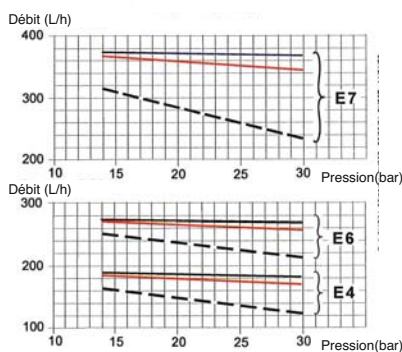
#### Caractéristiques Hydrauliques

Gamme de pression	14 - 30 bars
Pression de livraison	20 bars
Gamme de viscosité	3 - 75 cSt
Température du fioul	0 - 130°C max. dans la pompe
Pression d'arrivée	fioul domestique: 0,45 bars max. de vide pour éviter le dégazage du fioul.
	fioul lourd : 3,5 bars max.
Pression de retour	fioul domestique: 3,5 bars max. fioul lourd: 3,5 bars max.
Vitesse de rotation	3600 t/mn max.
Couple (à 40 t/mn)	0,3 N.m

#### Choix du réchauffeur

Cartouche	Ø 12 mm
Raccords	selon EN 50262
Puissance	50-80 W

#### Débit de la pompe

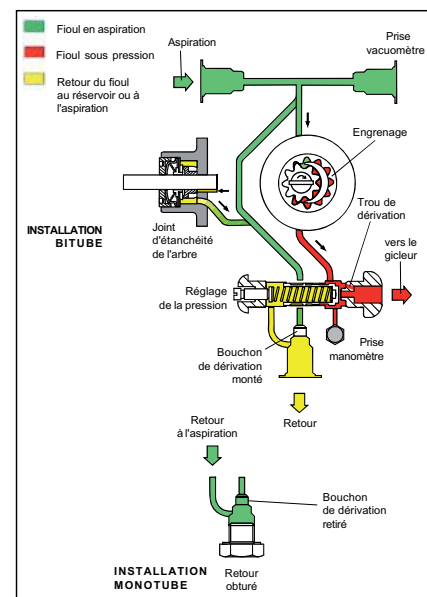
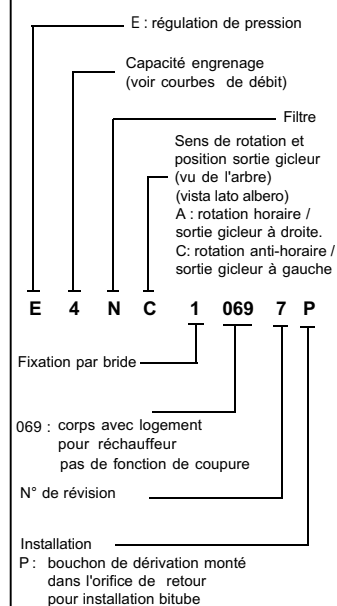


Viscosité = — 200 cSt  
- - - 20 cSt  
- - - 5 cSt Vitesse de rotation 2850 t/mn

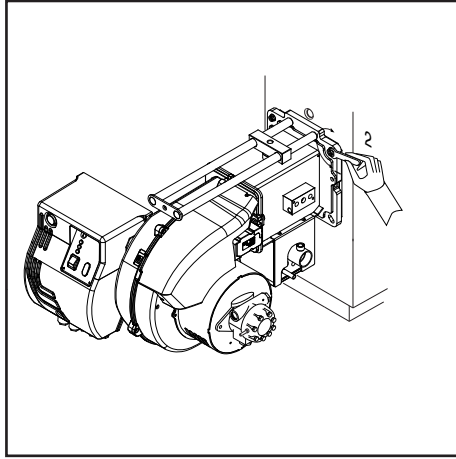
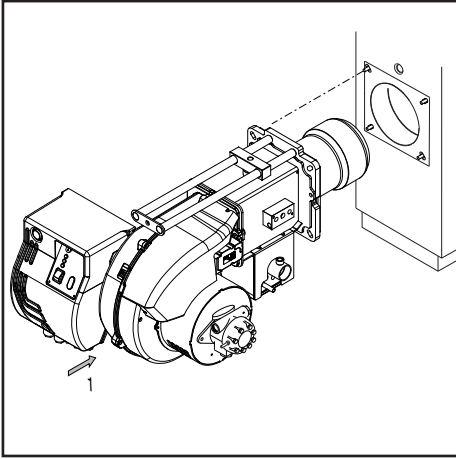
Les caractéristiques indiquées tiennent compte d'une marge d'usure.  
Ne pas surdimensionner les pompes lors du choix de la capacité d'engrenage.

### IDENTIFICATION DES POMPES

(Toutes les combinaisons ne sont pas disponibles. Consulter Suntec)



## Installation - Montage du brûleur



### Montage du brûleur

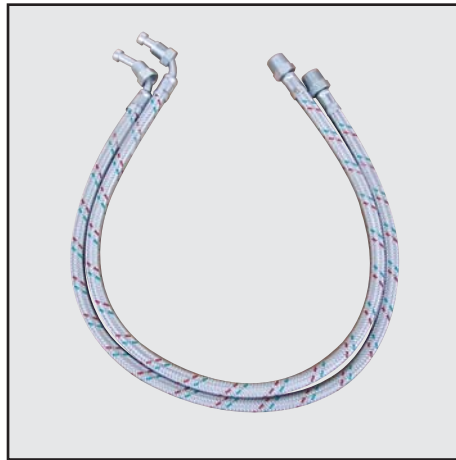
Le brûleur est fixé à la bride de fixation et, par conséquent, à la chaudière ; de cette manière, la chambre de combustion est fermée hermétiquement.

### Montage :

- Fixer la bride de fixation à la chaudière au moyen des vis.

### Démontage :

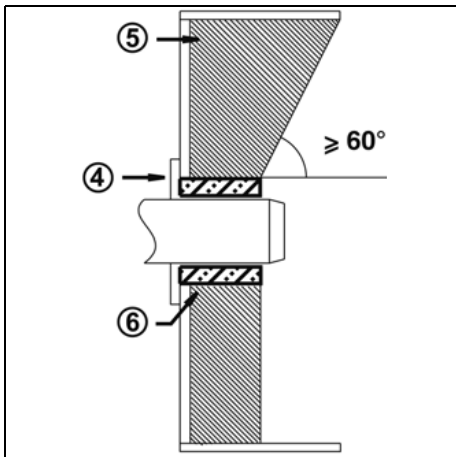
- Desserrer le vis.
- Extraire le brûleur de la chaudière.



### Branchement du fioul

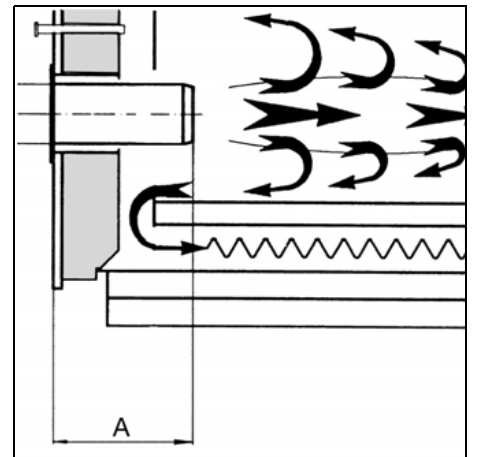
Le filtre doit être monté de manière à ce qu'un guidage correct du tuyau flexible soit garanti.

Les tuyaux flexibles ne doivent pas être pliés.



### Profondeur de montage du tube du brûleur et garnissage en maçonnerie

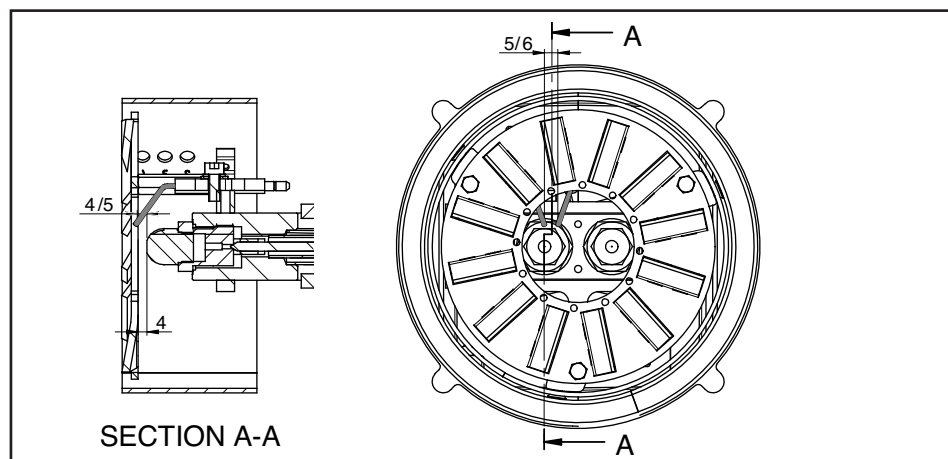
Pour les générateurs sans paroi avant refroidie et en l'absence d'indications contraires par le constructeur de la chaudière, il est nécessaire de réaliser un garnissage en maçonnerie ou une isolation (5) selon la figure ci-contre. Le garnissage en maçonnerie ne doit pas déborder la bordure avant du gueulard et sa dépouille conique ne doit pas dépasser 60°. L'interstice d'air (6) doit être comblé avec un matériau d'isolation élastique et ininflammable.



### Mené des fumées

Au fin d'éviter du bruit non désirées, il est recommandé d'éviter les pièces de raccordement à angles droits lors du raccordement de la chaudière à la cheminée.

## Installation - Raccordement électrique - Contrôles avant la mise en service



### Position électrodes

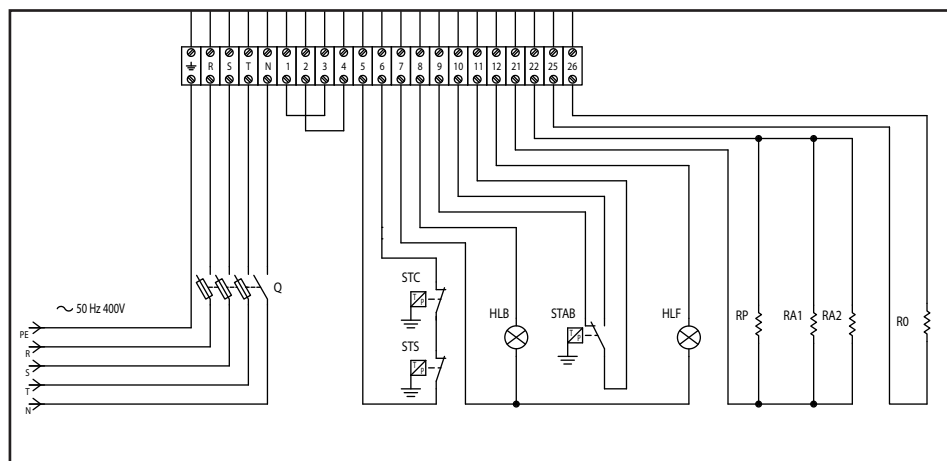
NB: Après le remplacement du gicleur, vérifier toujours la position des électrodes (voir à l'illustration). Une position erronée des électrodes pourrait donner des problèmes d'allumage.

### Raccordement électrique

L'installation électrique et les travaux de raccordement doivent être réalisés exclusivement par le personnel qualifié et autorisé. Les prescriptions et directives en vigueur doivent être respectées. L'installation d'alimentation devra être munie d'un interrupteur différentiel de type A.

**Respecter obligatoirement les prescriptions et les directives en vigueur, outre le schéma électrique fourni avec le brûleur!**

- Vérifier si la tension électrique d'alimentation correspond à la tension de fonctionnement indiquée de 230 V, 50/60 Hz courant monophasé avec neutre et mise à la terre. Fusible sur la chaudière: 5 A



### Contrôles avant la mise en service

Il convient de contrôler les points suivants avant la première mise en service.

- Montage du brûleur conformément aux présentes instructions.
  - Préréglage du brûleur conformément aux indications du tableau de réglage.
  - Réglage des organes de combustion.
  - Le générateur de chaleur doit être prêt à fonctionner, les prescriptions d'exploitation du générateur de chaleur doivent être respectées.
  - Toutes les connexions électriques doivent être réalisées correctement.
  - Le générateur de chaleur et le
- Les données de réglage ci-dessus sont des réglages de base. Les données de

réglage d'usine sont encadrées en gras et sur fond gris. Dans un cas normal, ces réglages permettent la mise en service du brûleur. Vérifier en tout état de cause soigneusement les valeurs de réglage. En général, en fonction de l'installation, des corrections doivent être apportées. système de chauffage sont remplis d'eau, les pompes de circulation sont en service.

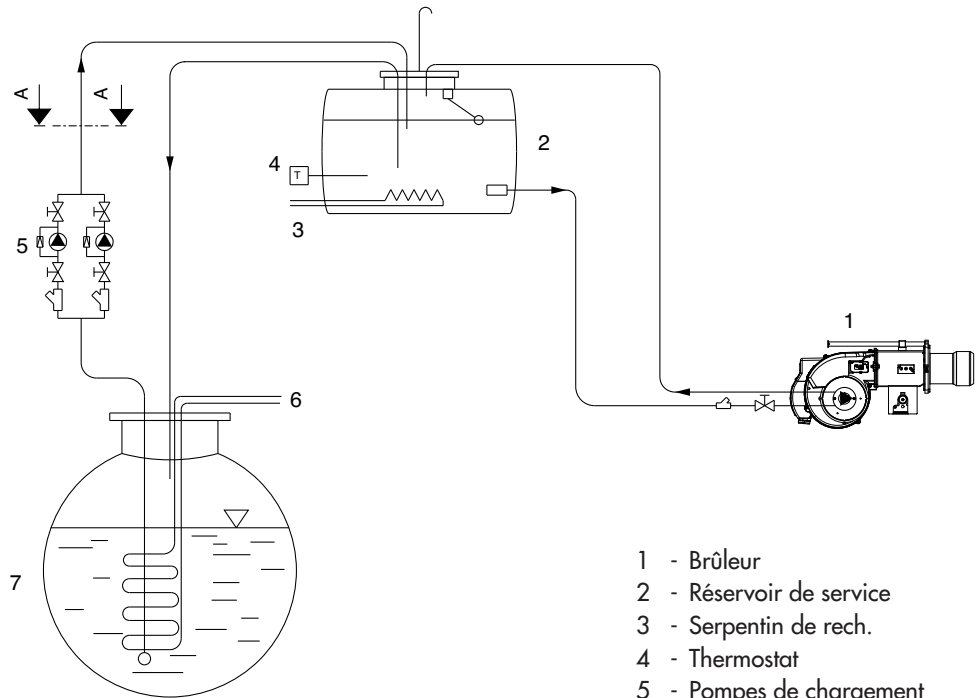
- Le régulateur de température, le régulateur de pression, la protection contre le manque d'eau et les autres dispositifs de limitation et de sécurité éventuellement présents sont raccordés et opérationnels.
- La cheminée doit être dégagée et le dispositif d'air additionnel, si présent, en

fonctionnement.

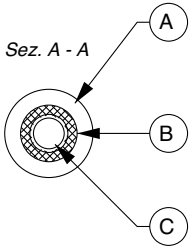
- Un apport d'air frais suffisant doit être garanti.
- La demande de chaleur doit être présente.
- Les réservoirs de combustible doivent être remplis.
- Les conduites de combustible doivent être montées dans les règles de l'art, leur étanchéité contrôlée et être purgées.
- Un point de mesure conforme aux normes doit être présent, le conduit de fumée jusqu'au point de mesure doit être étanche, de telle manière que les résultats de mesure ne soient pas faussés.

## Installation - Ligne d'alimentation du combustible

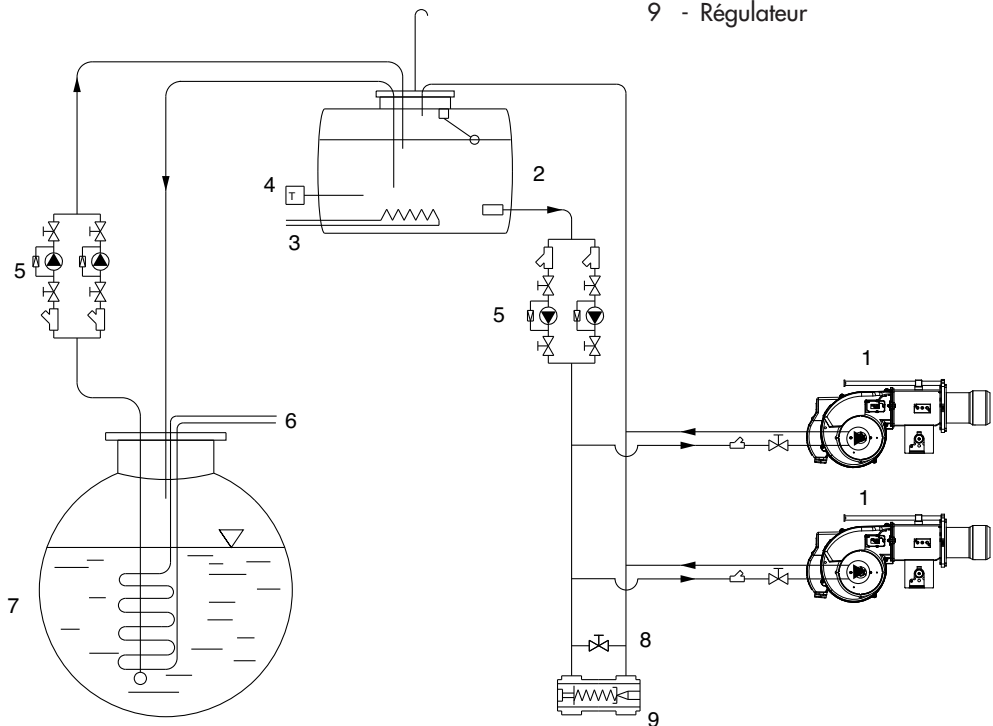
### SCHEMA ALIMENTATION DU FIOUL LOURD JUSQU'À 15°E À 50°C



- 1 - Brûleur
- 2 - Réservoir de service
- 3 - Serpentin de rech.
- 4 - Thermostat
- 5 - Pompes de chargement
- 6 - Réchauffeur
- 7 - Réservoir principal
- 8 - By-pass
- 9 - Régulateur



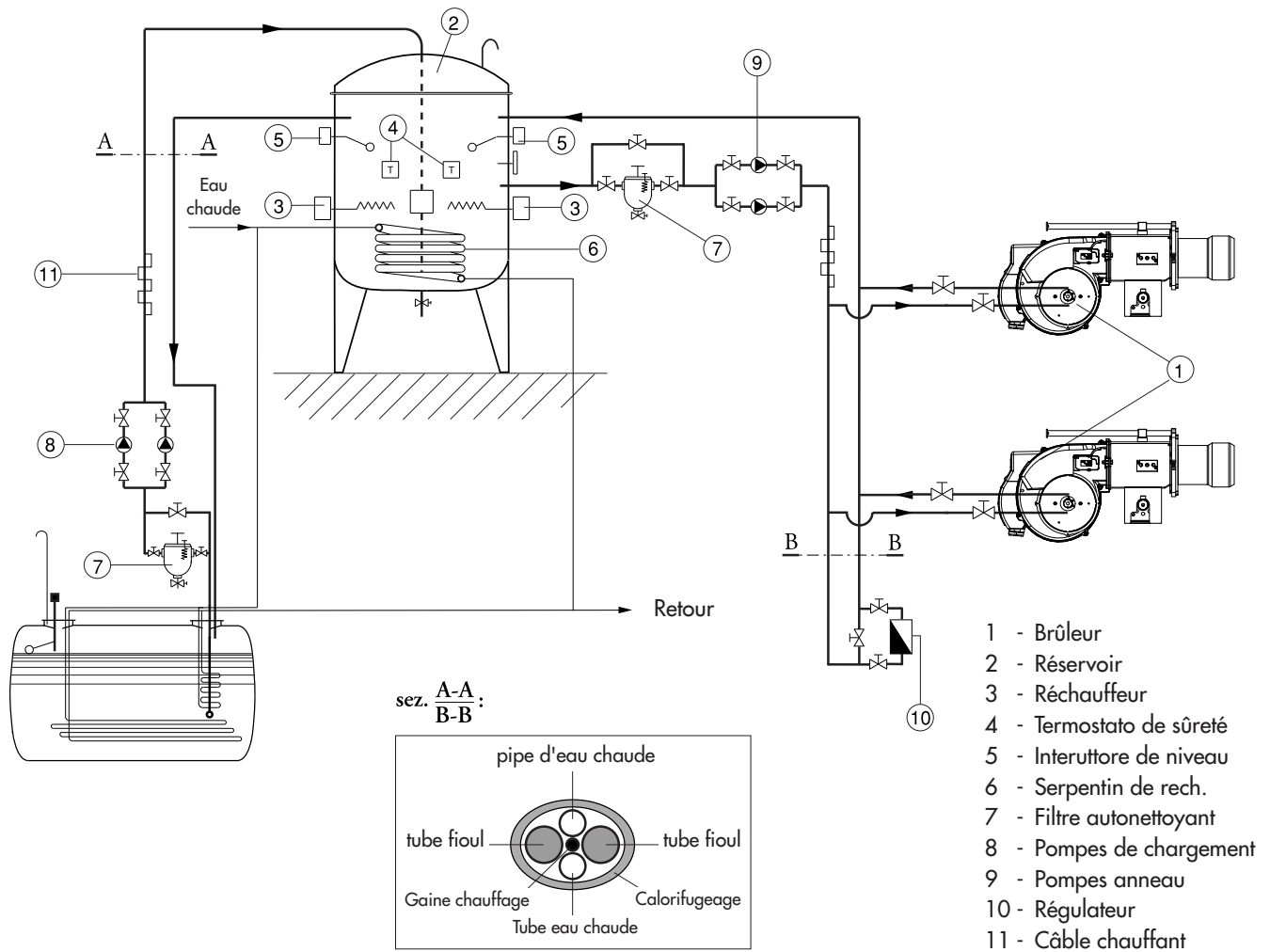
Légende  
 A - gaine isolante  
 B - Résistance électrique  
 C - Tuyau alim. fuel.



**IMPORTANT:** Tous les tuyaux d'alimentation sont réchauffés (voir à la coupe A-A)

# Installation - Ligne d'alimentation du combustible

## SCHEMA ALIMENTATION DU FIOUL LOURD JUSQU'À 50°E À 50°C



**IMPORTANT:** Tous les tuyaux d'alimentation sont réchauffés (voir à la coupe A-A)



## Mise en service - Données de configuration - Réglage de l'air

Maxflam 30 AB											
débit brûleur kW		pression chambre mbar		débit fioul kg/h		gicleur 60° HO		pression pompe bar	réglage tête	réglage volet d'air de servomoteur	
1° allure	2° allure	1° allure	2° allure	1° allure	2° allure	1° allure	2° allure			1° allure	2° allure
205	274	1,6	3,3	18	24	3,00	1,00	23	1	18°	30°
<b>239</b>	<b>331</b>	<b>1,3</b>	<b>3,7</b>	<b>21</b>	<b>29</b>	<b>3,50</b>	<b>1,50</b>	<b>23</b>	<b>2</b>	<b>20°</b>	<b>40°</b>
274	388	1	4	24	34	4,00	2,00	23	3	20°	60°

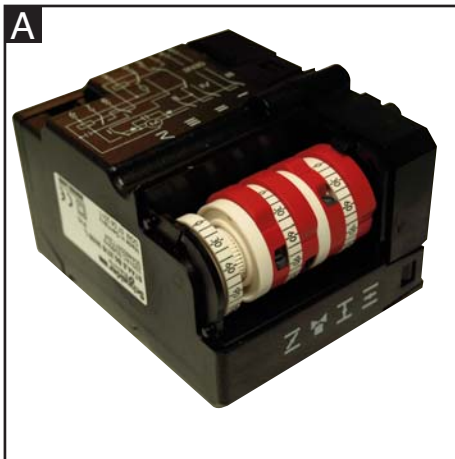
Maxflam 50 AB											
débit brûleur kW		pression chambre mbar		débit fioul kg/h		gicleur 60° HO		pression pompe bar	réglage tête	réglage volet d'air de servomoteur	
1° allure	2° allure	1° allure	2° allure	1° allure	2° allure	1° allure	2° allure			1° allure	2° allure
205	296	1,5	3,5	18	26	3,00	1,50	23	1	15°	40°
<b>262</b>	<b>388</b>	<b>1,3</b>	<b>4</b>	<b>23</b>	<b>34</b>	<b>4,00</b>	<b>2,00</b>	<b>22</b>	<b>2</b>	<b>20°</b>	<b>50°</b>
308	479	1,4	4,7	27	42	4,50	2,50	23	3	20°	50°

Les régulations indiquées sur suis **régulations de base**. Avec ces sélections, normalement, le brûleur peut être mis en fonction. Le réglage doit ensuite être vérifié au moyen d'un analyseur de

combustion. Des corrections subordonnées à chaque installation pourraient s'avérer nécessaires. On peut obtenir des valeurs de combustion favorables en utilisant les

buses suivantes:

DANFOSS H+S 80°+60°  
DELAN W 60°  
STEINEN S 60°



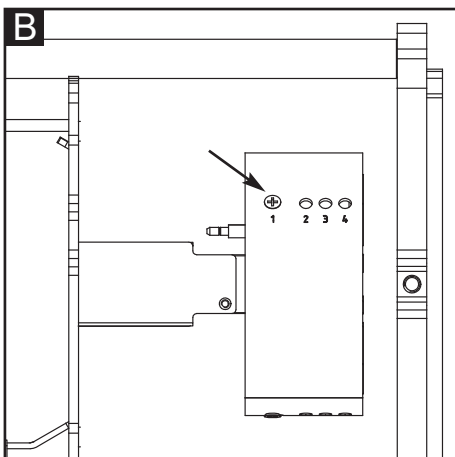
### Réglage de l'air (A).

Enlever le couvercle pour avoir accès aux cames de régulation. La régulation des cames doit être faite à l'aide de la clé en dotation.

Description :

- I - Came de régulation de la position d'ouverture en 2me Allure (Puissance max.).
- II - Came de régulation de la position du clapet de l'air à la coupure (fermeture) 0°.
- III - Camma di consenso all'apertura dell'elettrovalvola del 2° stadio.
- IV - Came de régulation de la position d'ouverture en 1re Allure (Puissance min.).

**Note** : la came III (de consentement à l'ouverture de l'électrovanne de 2me. allure) doit être réglée sur une position intermédiaire entre celle de 1re. allure et de 2me. allure (sous un angle de env. 5° supérieur par rapport à celui de la position de 1re. allure).



### Régulation de la tête de combustion (B).

Extraire le brûleur de la bride. Modifier la position de la bande (1,2,3,4) sur la tête en agissant sur la vis à l'aide d'un tournevis pour obtenir la valeur souhaitée. Fixer la bande et remonter le brûleur dans la bride.

## Mise en service - Réglage du brûleur - Réglage de la pression fioul lourd

### Risque de déflagration:

Contrôler en permanence le CO, le CO<sub>2</sub> et les émissions de fumée pendant le réglage. En cas de formation de CO, optimiser les valeurs de combustion. La teneur en CO ne doit pas dépasser 50 ppm.

### Démarrage du brûleur

Avant de démarrer le brûleur, remplir les conduites jusqu'à ce que le filtre du fioul domestique soit plein.

Ensuite, démarrer le brûleur en agissant sur le thermostat de la chaudière. Pour éliminer complètement l'air de la conduite du fioul lourd, desserrer la vis de purge dans le filtre du fioul lourd durant la phase de pré-aération. Ce faisant, il ne faut pas parvenir sous une dépression de 0,4 bar. Lorsque le fuel émergeant est exempt de bulles d'air et le filtre est entièrement rempli de fuel, fermer la vis de purge.

### Réglage de la puissance du brûleur

Régler la pression du fioul domestique de manière à ce que le brûleur distribue la puissance souhaitée, en agissant sur le régulateur de pression.

Toujours contrôler les valeurs de la combustion (CO, CO<sub>2</sub>, indice de fumosité). Modifier, au besoin, le débit d'air, en procédant éventuellement de façon progressive.

### Optimiser les valeurs de combustion

Si les valeurs de combustion ne sont pas satisfaisantes, modifier la position de la tête de combustion. On modifie ainsi le comportement de mise en marche ainsi que les valeurs de la combustion.

Si nécessaire, compenser la variation de débit d'air en adaptant la position du volet d'air.

**Attention: en cas d'installation sur une chaudière, respecter la température minimale des fumées d'évacuation en fonction des indications du fabricant de la chaudière et selon les exigences du système d'évacuation des fumées, afin d'éviter la formation de condensation.**

### Réglage de la pression fuel

Pour régler la pression du fuel (et donc le débit du brûleur) agir sur le régulateur de pression **5** dans la pompe.

Rotation vers:

- la droite : augmentation de la pression;
- la gauche : diminution de la pression.

Pour le contrôle, il est nécessaire de raccorder un manomètre au branchement, manomètre **3**, filetage R1/8 pouce.

### Contrôle de la dépression

Le vacuomètre pour le contrôle de la dépression doit être connecté sur la prise **4**, R1/8".

Dépression maximale permise 0,4 bar. Avec dépression supérieure, le fuel de chauffage gazéifie en provoquant un bruit strident et l'endommagement de la pompe.

### Regulation thermostats fioul lourd

Le thermostat de travail des résistances doit être réglé autour de 100-140 °C et le thermostat de sécurité est pré-calibrée.

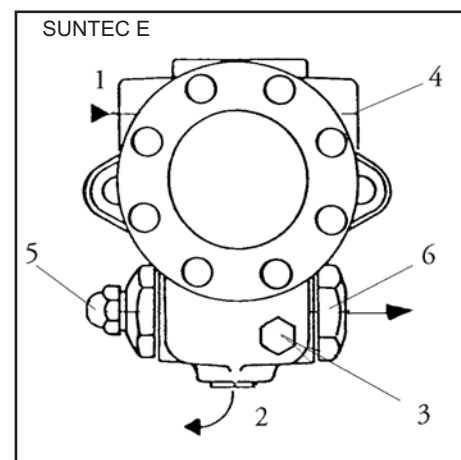
Ces régulations peuvent être légèrement modifiées en fonction du type de combustible et d'applications particulières.

- A - Thermostat de travail (100-140 °C).
- B - Thermostat d'arrêt (150 °C).
- C - Thermostat tête de combustion (120-140 °C).

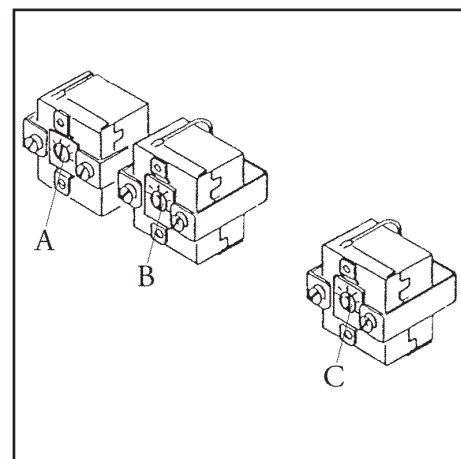
### Contrôle de fonctionnement

Il convient de procéder à un contrôle de sécurité de la surveillance de flamme aussi bien lors de la première mise en service qu'après des révisions ou un arrêt prolongé de l'installation.

- Tentative de démarrage avec la cellule de détection de flamme assombri : au terme du temps de sécurité, le coffret de sécurité doit se déplacer sur anomalie.
- Démarrage avec la cellule de détection de flamme éclairée : après une préventilation de 5 secondes, le coffret de sécurité doit se déplacer sur anomalie.
- Démarrage normal: lorsque brûleur est en service, assombrir le cellule de détection de flamme: après un nouveau démarrage et au terme du temps de sécurité, le coffret de sécurité doit se déplacer sur anomalie.



- 1 connexion d'aspiration.
- 2 connexion de retour.
- 3 connexion manomètre.
- 4 connexion vacuomètre.
- 5 réglage de la pression du fioul lourd.
- 6 connexion pression.



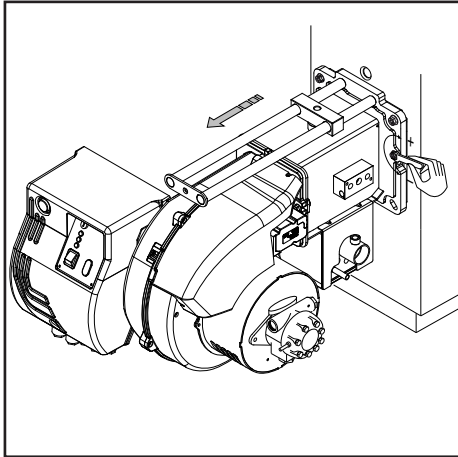
 <b>Enregistrement des données de mise en service</b>		
Test	n°1	n°2
Data		
Modèle		
Type de fioul		
Valeur calorifique du fioul		
Puissance du brûleur	min	kW
Puissance du brûleur	max	kW
Température fumée		C°
Température de l'air		C°
CO <sub>2</sub>		%
CO		ppm
NOx		ppm
Rendement		%
Action corrective		
Nom de l'opérateur		
Entreprise		

## Maintenance - Entretien

Les travaux d'entretien sur la chaudière et sur le brûleur ne doivent être exécutés que par un spécialiste en chauffage. Afin d'assurer des opérations d'entretien régulières la souscription d'un contrat d'entretien doit être recommandée à l'utilisateur de l'installation.

### Attention

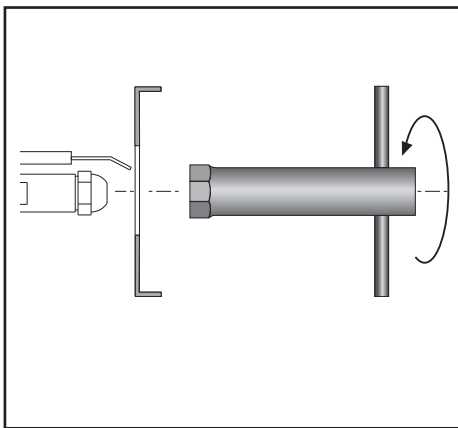
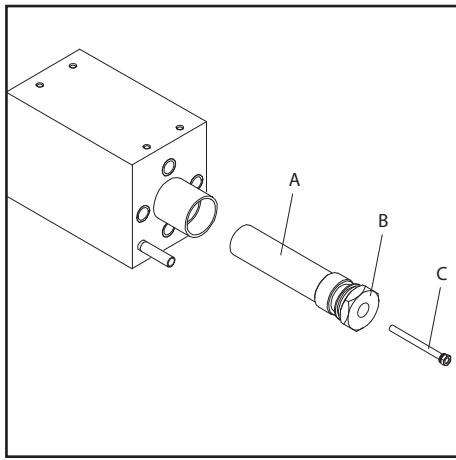
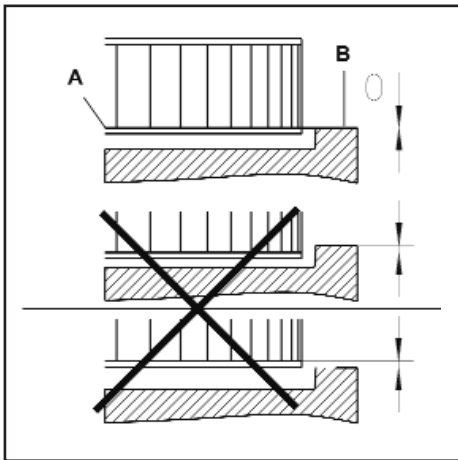
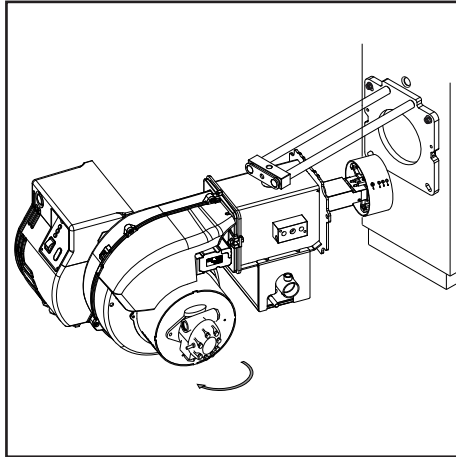
- Avant toute intervention d'entretien et de nettoyage, couper l'alimentation électrique.



- L'gueulard et les composantes de la tête peuvent être chauds.

### Contrôle des températures des gaz de combustion

- Contrôler régulièrement la température des gaz de combustion.
- Nettoyer la chaudière lorsque la température des gaz de combustion dépasse la valeur à la mise en service de plus de 30°C.
- Utiliser un afficheur de température des gaz de combustion pour faciliter le contrôle.



**Nettoyage et remplacement du gicleur**  
Utiliser seulement la clé en dotation, prévue pour cette opération, pour dévisser le gicleur, en veillant à ne pas endommager les électrodes. Monter le nouveau gicleur par le même soin.

**Note:** Après le remplacement du gicleur, vérifier toujours la position des électrodes (voir à l'illustration). Une position erronée des électrodes pourrait donner des problèmes d'allumage.

### Positions d'entretien du brûleur

- Après avoir desserré les vis de fixation à la vis du brûleur, il est possible de l'extraire et de le tourner dans la position d'entretien pour:
  - remplacement du gicleur
  - remplacement/réglage des électrodes
  - nettoyage/remplacement du disque
  - régulation de la tête de combustion

### Positions d'entretien

- Nettoyer la turbine et le carter, et vérifier qu'ils ne sont pas endommagés.
- Vérifier et nettoyer la tête de combustion.
- Remplacer le gicleur.
- Vérifier les électrodes, les régler ou les remplacer si nécessaire.
- Remonter la tête de combustion. Vérifier les réglages.
- Remonter le brûleur.
- Démarrer le brûleur, vérifier la combustion, et corriger les réglages du brûleur si nécessaire.
- Tous les composants d'alimentation en combustible (flexibles, pompe, tube de liaison avec la ligne gicleur) et leurs accouplements respectifs devraient être vérifiés (étanchéité, usure) et changés si nécessaire.
- Vérifier toutes les connexions électriques et les câbles, et les remplacer si nécessaire.
- Vérifier le filtre de la pompe et le nettoyer si nécessaire.

### Montage de la turbine

Lors du changement du moteur ou de la turbine, se référer au schéma de positionnement. Le flasque interne **A** de la turbine doit être aligné avec la platine **B**. Insérer un réglé entre les aubes de la turbine et amener **A** et **B** à la même hauteur, serrer la vis sans tête avec une encoche sur le ventilateur

### Nettoyage du filtre monte dans le réchauffeur

Estraction du filtre :

- 1 Eteindre le brûleur et laisser refroidir.
- 2 Extraire l'ampoule du thermomètre fioul lourd C.
- 3 Dévisser la vis B et décharger une partie d'huile contenue à l'intérieur du réchauffeur, de façon à ce que le niveau du liquide descende au-dessous du filtre
- 4 Dévisser et extraire la tige du filtre A de son siège
- 5 Après avoir nettoyé le filtre, remonter les parties suivant l'illustration et le réintroduire dans son siège. Il serait souhaitable de remplacer toutes les joints du filtre et de la vanne chaque fois que ces derniers sont démontés.

**Note:** On rappelle que, lorsque le brûleur est en fonction, dans le réchauffeur il y a une pression d'env. 23 bar et que, par conséquence devient très dangereux effectuer des opérations susdites avec le brûleur en marche.

## Maintenance - Problèmes possibles

### Causes et élimination des anomalies

En présence d'anomalies, es conditions de fonctionnement normal doivent être vérifiées:

1. Y a-t-il du courant?
2. Y a-t-il du fioul lourd dans la citerne?
3. Tous les robinets d'arrêt sont-ils ouverts?
4. Tous les appareils de régulation et de sécurité tels que thermostat de chaudière, protection contre le manque d'eau, interrupteur de fin de course, sont-ils réglés?

Au cas où, après je contrôle des points susdits, l'anomalie persistait, employer le suivant tableau.

Les composantes de sécurité ne doivent pas être réparés, mais plutôt ils doivent être substitué avec des composantes rapportant le même code article.

**Utiliser exclusivement des pièces de rechange d'origine.**

### NB: Après toute intervention contrôler:

- es valeurs de combustion en conditions de exercice (porte de la locale chaudière éclose, couverture montée, etc).
- enregistrer les valeurs de combustion

dans le livret de central.

**Tableau des codes de défaut**

Clignotement "rouge" du voyant de défaut	«AL» sur borne 10	Cause possible
clignote 2 x	Marche	Pas de présence de flamme à la fin de «TSA» - vannes de combustible défaut. ou encrassées.- sonde de flamme défectueuse ou encrassée. - mauvais réglage du brûleur, pas de combustible. - dispositif d'allumage défectueux.
clignote 3 x	Marche	Libre
clignote 4 x	Marche	Lumière parasite au démarrage du brûleur
clignote 5 x	Marche	Libre
clignote 6 x	Marche	Libre
clignote 7 x	Marche	Disparition de flamme trop fréquente en cours de fonctionnement (limitation des répétitions) - vannes de combustible défaut. ou encrassées. - sonde de flamme défectueuse ou encrassée. - mauvais réglage du brûleur.
clignote 8 x	Marche	Surveillance du préchauffeur de fioul - 5 x défaillance du préchauffeur de fioul durant la pré-ventilation
clignote 9 x	Marche	Libre
clignote 10 x	Arrêt	Défaut de câblage ou défaut interne, défaut permanent des contacts de sortie, autres défauts.
	Marche	3 x défaut temporaire des contacts de sortie

## Contenidos generales - índice - advertencias generales - Declaración de conformidad

<b>Descripción</b>	Datos técnicos	3
	Ámbito de funcionamiento	4
	Dimensiones	5
<b>Contenidos generales</b>	índice	45
	Advertencias generales	45
	Declaración de conformidad	45
	Descripción del quemador	46
<b>Función</b>	Funciones generales de seguridad	47
	Equipo control llama y de seguridad Siemens LMO44	48
	Bomba del quemador	49
<b>Instalación</b>	Montaje del quemador	50
	Conexión eléctrica	51
	Comprobaciones previas a la puesta en servicio	51
	Línea de alimentación del combustible	52
<b>Puesta en servicio</b>	Datos de ajuste - ajuste del aire	54
	Ajuste del quemador	55
	Ajuste de la presión de fuel pesado	55
	Registro de los datos de puesta en funcionamiento	55
<b>Mantenimiento</b>	Conservación	56
	Posibles inconvenientes	57
<b>Descripción</b>	Esquemas eléctrico	71-72
	Piezas de recambio	73-75

### Declaración de conformidad para quemadores de fuel pesado

Nosotros ,  
**Ecoflam Bruciatori S.p.A.**

declaramos bajo nuestra responsabilidad que los quemadores de fuel pesado

### MAXFLAM

cumplen las normas siguientes:

<b>EN 267</b>	<b>EN 50156-1</b>
<b>EN 55014-1</b>	<b>EN 55014-2</b>
<b>EN 60335-1</b>	<b>EN 60335-2-102</b>
<b>EN 61000-6-2</b>	<b>EN 61000-6-3</b>

Estos productos están marcados con la marca CE de conformidad con la directivas:


**2014/35/UE Low Voltage Directive**  
**2014/30/UE EMC Directive**  
**2006/42/EC Machine directive**  
**2011/65/EU RoHS2 directive**


April, 2018 / Mr. Filippo Maltempo

R&D Director  


### Advertencia


Los quemadores Ecoflam se han diseñado y construido de acuerdo con las normativas y directivas corrientes.

 **Todos los quemadores responden a las normativas sobre la seguridad y sobre el ahorro energético en el límite del campo de trabajo declarado.**

 **El quemador no debe funcionar por fuera del campo de trabajo.**

La calidad del producto está garantizada por el sistema de certificación según la norma ISO 9001:2008.

Los quemadores MAXFLAM se han concebido para la combustión de fuel pesado.

 **Los quemadores cumplen la norma EN 267. La instalación, la puesta en marcha y el mantenimiento deben ser realizados exclusivamente por técnicos instaladores autorizados siguiendo las directivas y recomendaciones vigentes.**

### Descripción del quemador

El quemador MAXFLAM es un aparato monobloque de dos etapa y con un funcionamiento completamente automático. La geometría del cabezal de combustión permite obtener niveles bajos de NOx y de gases no quemados, maximizando el rendimiento del generador. Las emisiones pueden ser

diferentes de aquellas obtenidas en el laboratorio de prueba ya que dependen mucho del generador en el cual el quemador está instalado.


El instalador debe respetar las normativas vigentes. Por ejemplo, se deben evitar locales con atmósferas peligrosas y no ventiladas.

### Embalaje y desplazamiento

Desplace el quemador en su embalaje con una carretilla elevadora o un montacargas prestando atención a no dejarlo caer, manteniéndose a una distancia de no más de 20 cm del suelo. Después de sacar el equipo del embalaje, controle que esté íntegro y que corresponda al producto




encargado. En caso de duda, póngase en contacto con el fabricante.

 **La instalación del quemador debe ser llevada a cabo por personal habilitado.**

Si las dimensiones o el peso no permiten efectuar el levantamiento manual, pida ayuda a otro operador, o utilice un

montacargas y envuelva el quemador con bandas apropiadas si no están disponibles los cáncamos.

 Use los accesorios suministrados (brida, empaquetadura, pernos y tuercas) para instalar el quemador en la caldera, prestando atención a no estropear la empaquetadura aislante.

**No quedan cubiertos por la garantía los daños resultantes de las siguientes causas:**

- uso inadecuado.
- montaje defectuoso, instalación realizada por el comprador o un tercero, uso de piezas no originales.

### Entrega de la instalación y consejos de uso

El instalador del sistema debe facilitar al usuario de la misma, como muy tarde en el momento de la entrega, las instrucciones de uso y mantenimiento. éstas deben conservarse en un lugar bien visible de la sala de calderas. Deben contener la dirección y número de teléfono del servicio de atención al cliente más cercano.

### Advertencia para el operador

Al menos una vez al año, un técnico especialista deberá revisar la instalación. Para garantizar que dicha revisión se realice de una manera regular, es muy recomendable suscribir un contrato de mantenimiento.

## Contenidos generales - Descripción del quemador

### MAXFLAM 30 AB TC 230-400-50

#### NOMBRE

MAXFLAM fuel pesado

#### MODELO (Gas: kW; fuel pesado: kg/h)

MAXFLAM 30 36 kg/h - 410 kW

#### TIPO DE OPERACIÓN

- 1 llama  
AB 2 llama

#### TIPO DE CABEZA

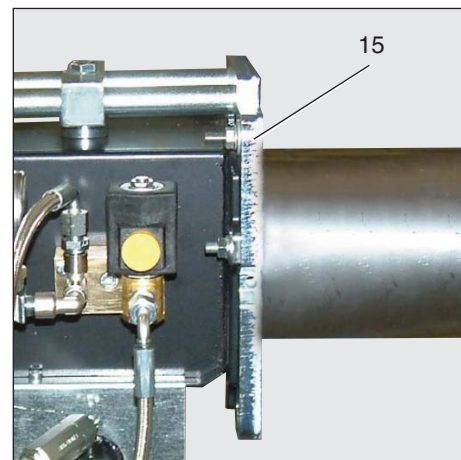
TC Cabeza corta  
TL Cabeza larga

#### COMBUSTIBLE

fuel pesado: max visc. 50° E a 50°C

#### TENSION DE ALIMENTACIÓN

230-400-50 230-400 Volt, 50 Hz



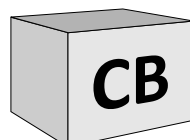
- A1 Siemens LMO44 cajetín de control y de seguridad
- M1 Motor eléctrico para bombas y ventiladores
- T1 Transformador
- 5 Tornillo de fijación de la placa
- 9 Cuadro de mandos
- 15 Brida del quemador
- 16 Botón de desbloqueo
- 102 Bomba
- 103B Regulación del aire
- 113 Toma de aire

#### Embalaje

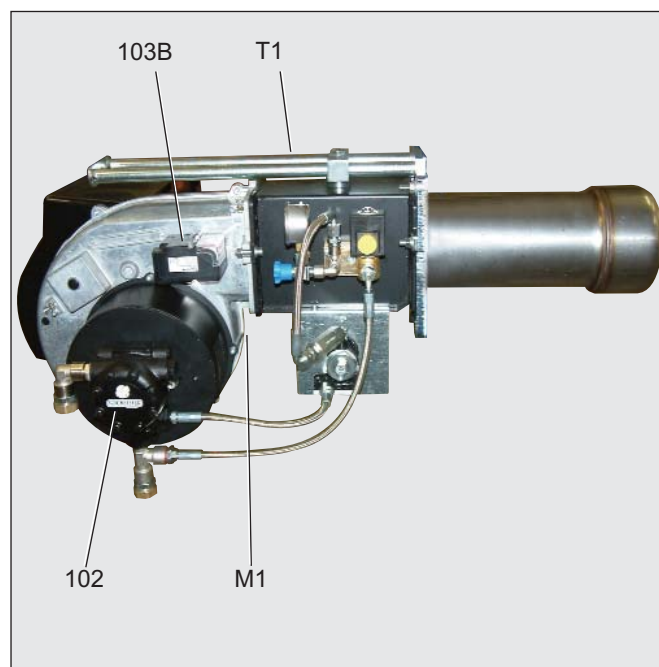
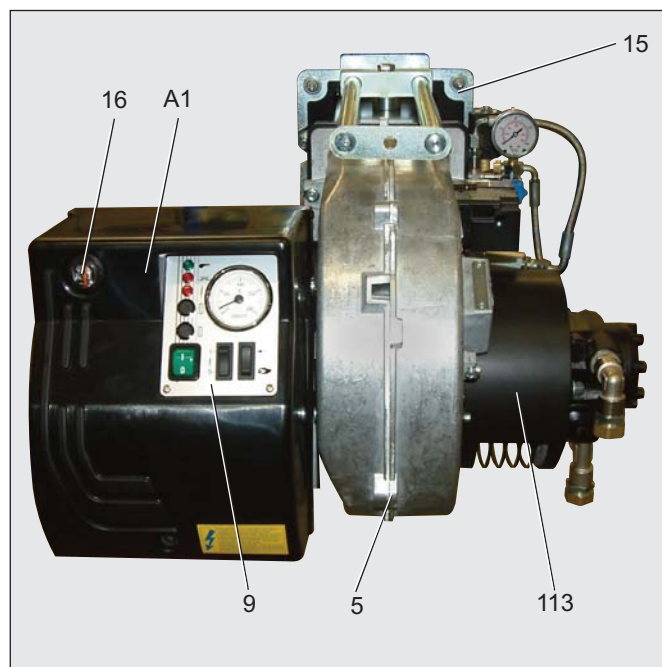
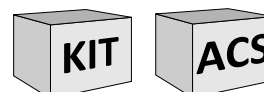
CB : QUEMADOR COMPLETO

- 1 bolsa

- manual técnico multilingüe.
- filtro y latiguillos.
- inyector y clave para inyector.
- tornillo, tuercas y arandelas.



KIT & ACS disponibles y entregados por separado



## Función - Funciones generales de seguridad

### Funcionamiento

- Poner la instalación bajo tensión. Una vez que se ha alcanzado la temperatura programada en el termostato de trabajo y con los contactos de la caldera cerrados, el equipo de control pone en marcha el ventilador, la bomba de combustible y el transformador de encendido. Al mismo tiempo se activan las resistencias que sirven para mantener constante la temperatura del combustible dentro del precalentador.

- El motor arranca, el encendedor se activa y comienza el tiempo de preventilación (25 s).

Durante la preventilación, el hogar está vigilado para detectar una posible presencia de llama.

- Tras la preventilación, las electroválvulas de fuel pesado se abren y el quemador se enciende.

- Durante el funcionamiento, el circuito de encendido se interrumpe.

cierran y la llama se apaga.

- El motor del quemador se detiene.
- El quemador está listo para funcionar.

### Función de seguridad

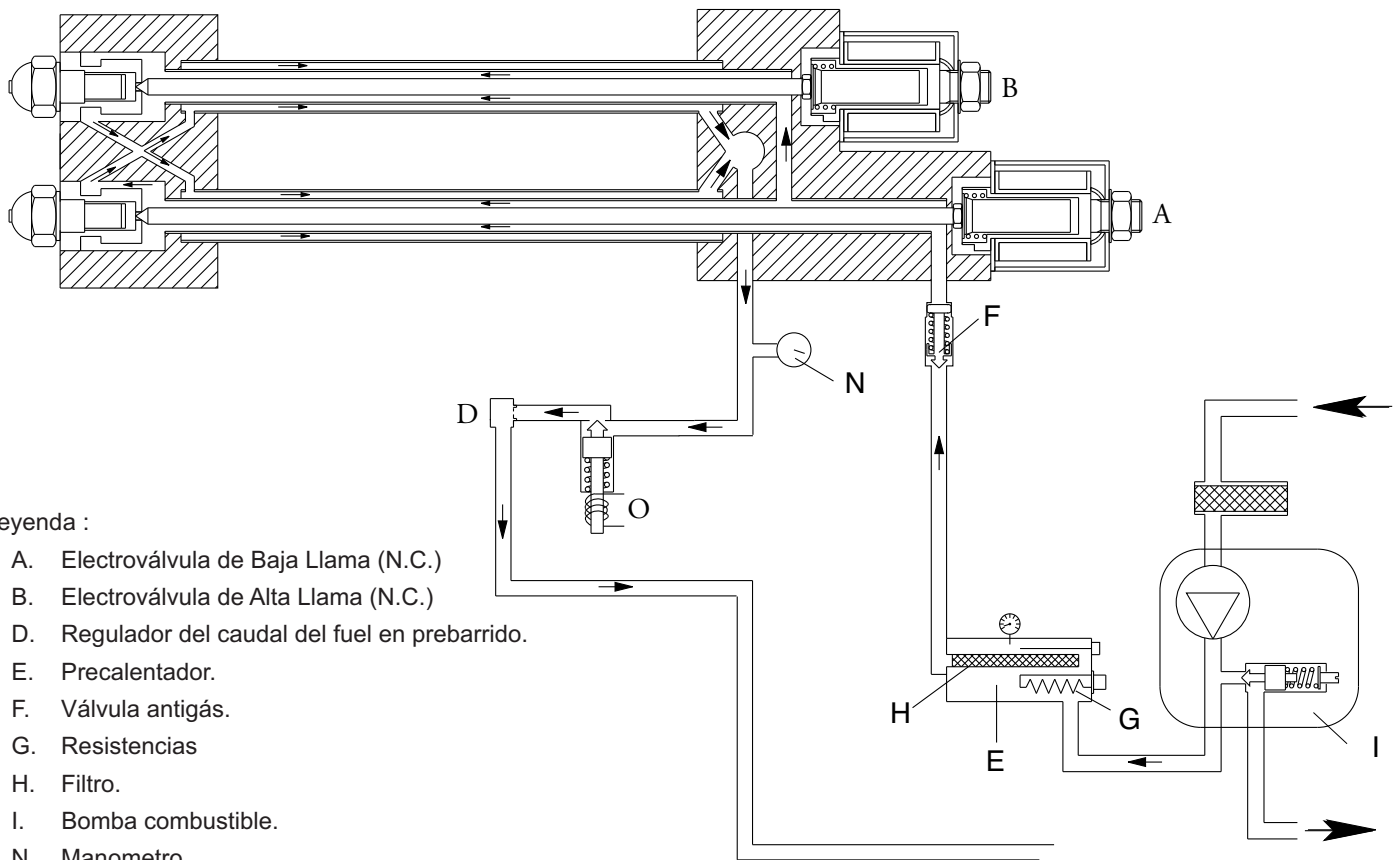
El bloqueo de seguridad se produce:

- cuando, durante la preventilación, se detecta señal de llama, (vigilancia de llama parásita);
- cuando, en el momento de la puesta en marcha (autorización de admisión de combustible), no se produce llama al cabo de 5 segundos (tiempo de seguridad);
- cuando, en caso de pérdida de llama en funcionamiento, no se ha formado llama tras una repetición infructuosa del programa.

Un bloqueo de seguridad se indica con el testigo de fallo. El quemador se desbloquea una vez eliminada la causa del fallo pulsando el botón de desbloqueo.

### Parada de regulación

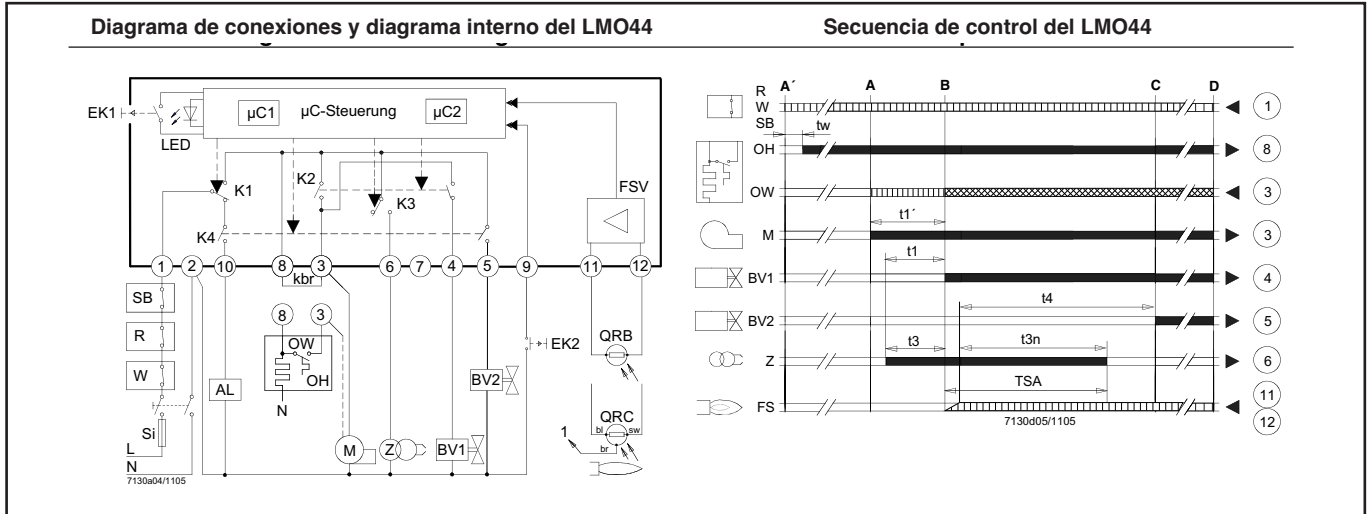
- El termostato de la caldera interrumpe la solicitud de calor.
- Las electroválvulas de fuel pesado se



### Leyenda :

- A. Electroválvula de Baja Llama (N.C.)
- B. Electroválvula de Alta Llama (N.C.)
- D. Regulador del caudal del fuel en prebarrido.
- E. Precalentador.
- F. Válvula antigás.
- G. Resistencias
- H. Filtro.
- I. Bomba combustible.
- N. Manómetro.
- O. Electroválvula (N.O.).
- N.C. = Norm. cerrada
- N.O. = Norm. abierta

## Función - Equipo control llama y de seguridad Siemens LMO44



**!** Antes del montaje o del desmontaje del programador de comando, el equipo debe ser desconectado de la red de alimentación. El programador de comando no debe ser abierto o reparado.

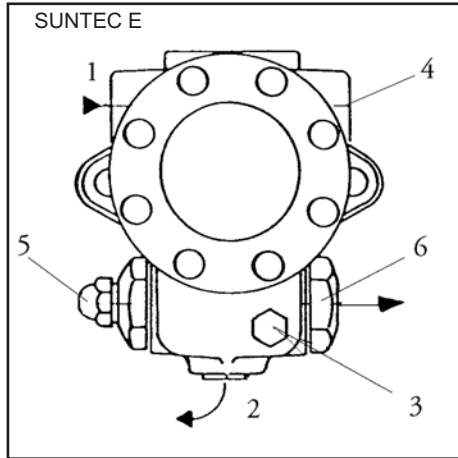
- |       |   |        |   |     |   |
|-------|---|--------|---|-----|---|
| AL    | Dispositivo de alarma   | OH     | Pre calentador de aceite                      | t1' | Tiempo de purga   |
| BV... | Válvula de combustible  | QRB... | Detector de llama fotorresistiva              | t3  | Tiempo de preencendido  |
| EK1   | Botón de reinicio de seguridad                                    | QRC... | Detector de llama azul                        | t3n | Tiempo de postencendido   |
| EK2   | Botón de reinicio de seguridad remoto                             |        | bl = azul br = marrón sw = negro              | t4  | Intervalo desde la señal de llama hasta la desconexión de la «BV2»    |
| FS    | Señal de llama  | R      | Termostato o presóstato de control            | A'  | Inicio de la secuencia de arranque con quemadores que usan el «OH»    |
| FSV   | Amplificador de señal de llama                                    | SB     | Termostato de límite de seguridad             | A   | Inicio de la secuencia de arranque con quemadores que no usan el «OH» |
| K...  | Contactos del relé de control                                     | Si     | Cortacircuitos primario externo               | B   | Tiempo de fijación de llama   |
| Kbr   | Enlace (necesario sólo cuando no se usa pre calentador de aceite) | W      | Interruptor de límite de termostato o presión | C   | Posición de operación   |
| LED   | lámpara indicadora de tres colores                                | Z      | Transformador de encendido                    | D   | Parada de emergencia controlado por el «R»                            |
| M     | Motor del quemador  | TSA    | Tiempo de seguridad de encendido              |     |   |
| OW    | Contacto de desconexión del pre calentador                        | tw     | Tiempo de espera                              |     |   |
|       |   | t1     | Tiempo de prepurga                            |     |   |

**Tabla de códigos de color de la lámpara de señales multicolor (LED)**

Estado	Código de color	Color
Tiempo de espera	○ .....	Apagado
Pre calentador de aceite encendido, tiempo de espera «tw»	● .....	Amarillo
Fase de encendido, encendido controlado	●○●○●○●○●○●○●○●○●○●○	Amarillo intermitente
Operación, llama ok	□ .....	verde
Operación, llama no ok	□○□○□○□○□○□○□○□○□○□○	Verde intermitente
Luz extraña en el arranque del quemador	□▲□▲□▲□▲□▲□▲□▲□▲□▲□▲	Verde-rojo
Bajo voltaje	●▲●▲●▲●▲●▲●▲●▲●▲●▲●▲	Amarillo-rojo
Falla, alarma	▲ .....	Rojo
Salida de código de error «Cuadro de códigos de error»)	▲○▲○▲○▲○▲○▲○▲○▲○▲○▲○	Rojo intermitente
Diagnóstico de interfaz	▲▲▲▲▲▲▲▲▲▲▲▲▲▲▲▲▲▲	Luz roja parpadeante
Referencias:	..... Funcionamiento constante      ▲ Rojo      □ verde ○ Apagado                      ● Amarillo	



## Función - Bomba del quemador



- 1 conexión de aspiración.
- 2 conexión de retorno.
- 3 conexión manómetro.
- 4 conexión vacuómetro.
- 5 ajuste de la presión de fuel pesado.
- 6 conexión presión.

La bomba utilizada en el quemador de fuel pesado es una bomba de engranajes autocebadora, que se tiene que conectar con sistema bitubo; es necesario introducir el filtro en el tubo de aspiración. La bomba dispone de un filtro de aspiración y de un regulador de presión del fuel pesado. Antes de la puesta en funcionamiento del

aparato, es necesario conectar los manómetros para medir la presión y la depresión.

**NB:** antes de poner en marcha el quemador, controlar que el retorno se encuentre abierto. Una eventual obstrucción puede provocar desperfectos en la guarnición de la bomba.

### DATOS DE LA BOMBA

(No todas las combinaciones están disponibles. Consulte a su representante de Suntec).

E : Regulación de presión

Capacidad del conjunto de engranajes (ver curvas de capacidad del conjunto de engranajes)

Filtro

Rotación del eje y posición por inyector (vista desde el extremo el eje)

A : Rotación en sentido horario/derecha posición por inyector .

C : Rotación en sentido contrahorario/izquierda posición por inyector

E 4 N C 1 069 7 P

Montaje de brida \_\_\_\_\_

069 : cuerpo con la cavidad del precalentado modelo sin la función del atajo \_\_\_\_\_

Número de revisión \_\_\_\_\_

Instalación \_\_\_\_\_

P : by-pass instalado a cambio vire hacia el lado de babor para la operación del dos-tubo \_\_\_\_\_

### INFORMACIÓN TÉCNICA

#### Información general

Montaje	Brida de montaje EN 225.
Roscas de conexión	cilíndric según normas ISO228/1
Toma y retorno	G 1/2"
Salida de inyector	G 1/4"
Entrada del manómetro	G 1/8"
Entrada del vacuómetro	G 1/2"
Función de la válvula	Regulación de la presión-no corte
Filtro	superficie útil : 45 cm grado de filtración: 550 µm
Eje	Ø 11mm de común acuerdo con standard EN 225.
Tapón de derivación	Introducido en el punto de retorno para el sistema de dos tuberías.; Debe quitarse con una llave Allen de 3/16" para el sistema de una tubería.
Peso	4 kg

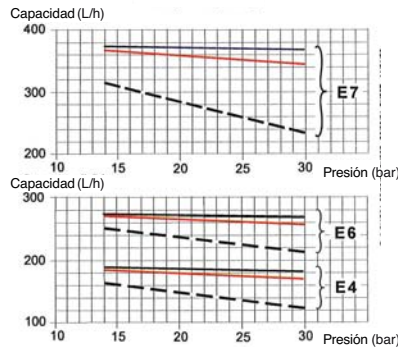
#### Información hidráulica

Rangos de presión de inyector	14 - 30 bar
Configuración de la presión de suministro	20 bar
Viscosidad de operación	3 - 75 cSt
Temperatura del aceite	0 - 130°C max. en bomba
Presión de entrada	instalaciones a gasoleo: 0,45 bar máx. de vacío para evitar la separación del aire y el gasoleo instalaciones a fuel pesado: 3,5 bar máx.
Presión de retorno	instalaciones a gasoleo: 3,5 bar máx. instalaciones a fuel pesado: 3,5 bar máx.
Velocidad nominal	3600 gpm max.
Torsión (a 40 gpm)	0,3 N.m

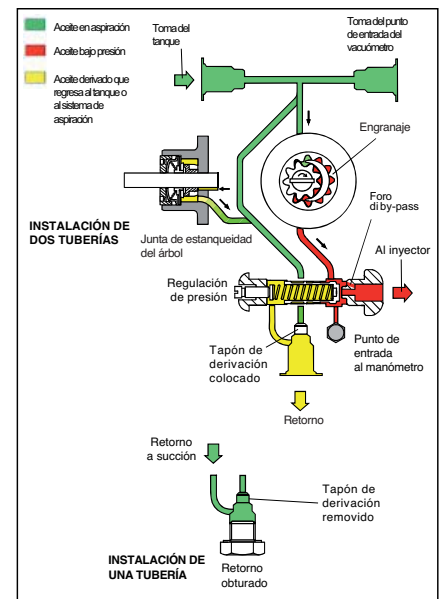
#### Elegido del precalentador

Precalentador	Ø 12 mm
Conexión de la conexión	de común acuerdo con EN 50262
Caudal	50-80 W

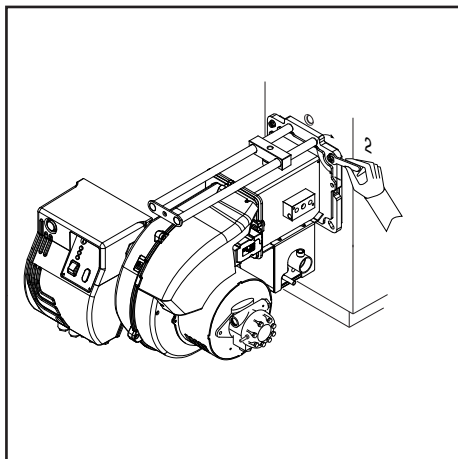
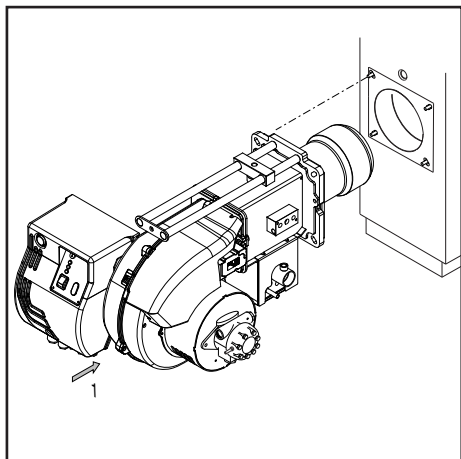
#### Capacidad de la bomba



Los datos mostrados tienen en cuenta un margen del desgaste. Hace no de gran tamaño la bomba al seleccionar capacidad del engranaje.



## Instalación - Montaje del quemador



### Montaje del quemador

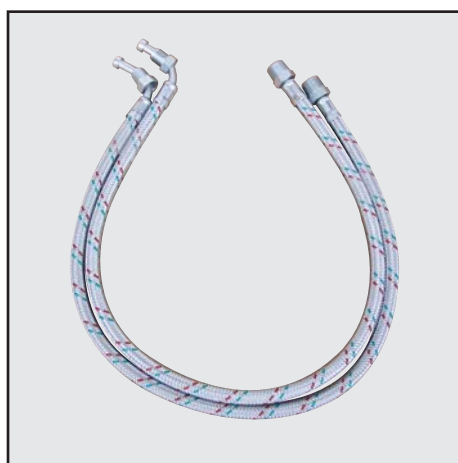
El quemador se fija a la brida de encaje y por consiguiente a la caldera, de esta forma la cámara de combustión se cierra herméticamente.

### Montaggio:

- Fijar la brida de encaje a la caldera con los tornillos.

### Smontaggio:

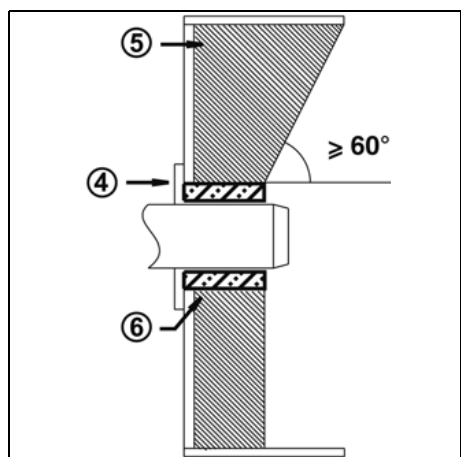
- Aflojar el tornillo.
- Extraer lentamente el quemador de caldera.



### Conexión del fuel pesado

El filtro se tiene que montar de forma que se garantice una colocación correcta del tubo flexible.

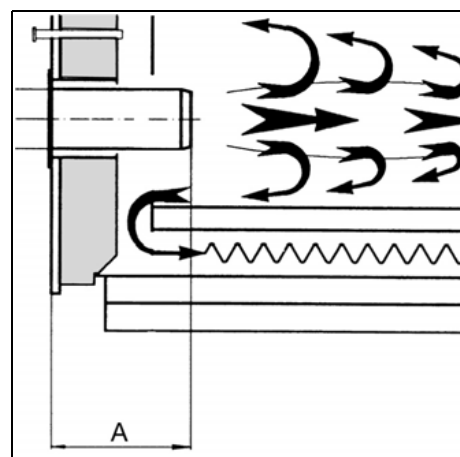
Los tubos flexibles no pueden estar doblados.



### Profundidad de montaje del tubo del quemador y guarnecido de albañilería

Para los generadores sin pared delantera enfriada y en ausencia de indicaciones contrarias del fabricante de la caldera, es necesario realizar un guarnecido de albañilería o un aislamiento (5) según la ilustración contigua.

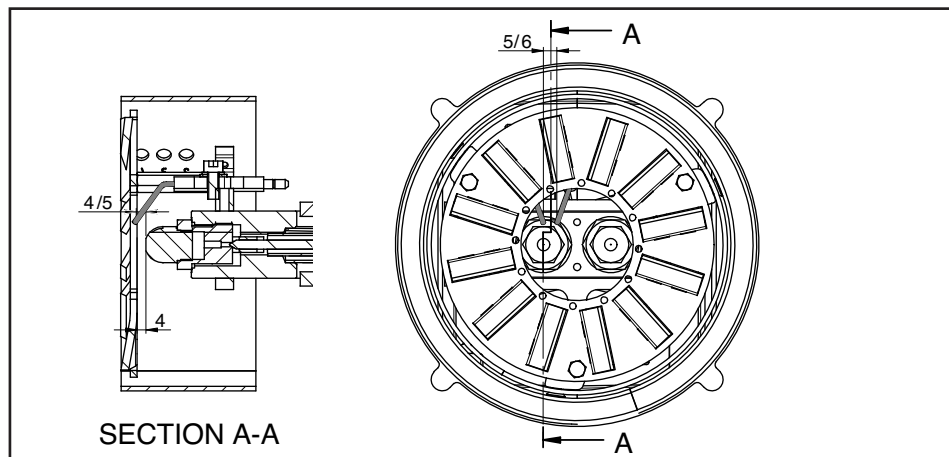
El guarnecido de albañilería no debe sobresalir del borde delantero del tubo de llama y su conicidad no debe ser superior a 60°. El hueco de aire (6) debe rellenarse con un material de aislamiento elástico y no inflamable.



### Conducto de humo

Con el fin de evitar posibles emisiones acústicas desagradables, se recomienda evitar las piezas de conexión con ángulos rectos durante la conexión de la caldera a la chimenea.

## Instalación - Conexión eléctrica - Comprobaciones previas a la puesta en servicio



### Posición del electrodo

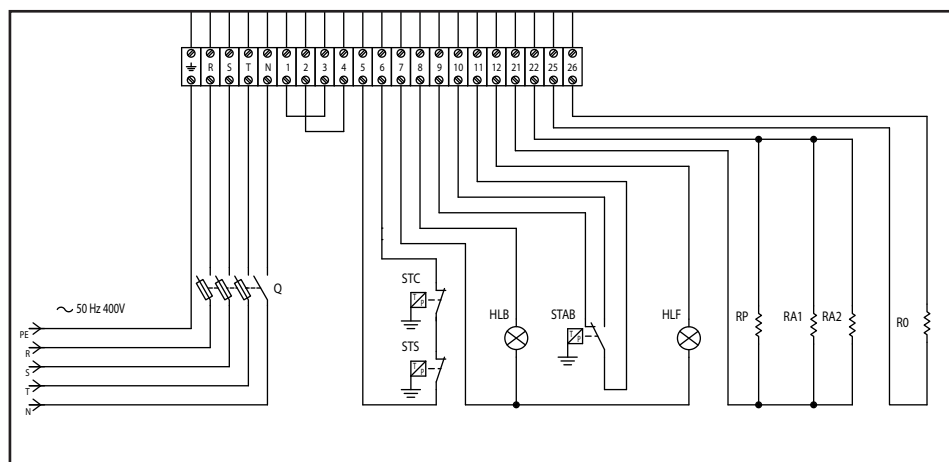
NB: Comprobar todavía la posición de los electrodos después del montaje (ver a la ilustración). Una posición errada puede originar problemas de encendido.

### Conexión eléctrica

La instalación eléctrica y los trabajos de conexión debe realizarlos exclusivamente por personal autorizado. Deben seguirse las recomendaciones y las directivas vigentes. El equipo de alimentación tiene que disponer de un interruptor diferencial de tipo A.

### Respetar obligatoriamente las disposiciones y las directivas en vigor, además del esquema eléctrico suministrado con el quemador!

- Compruebe si la tensión eléctrica de alimentación se corresponde con la tensión de funcionamiento indicada de 230 V, 50/60 Hz corriente monofásica con neutro y toma de tierra. Fusible de la caldera: 5 A



### Comprobaciones previas a la puesta en servicio

Conviene controlar los siguientes puntos antes de la puesta en servicio.

- Montaje del quemador de conformidad con las presentes instrucciones.
- Ajuste previo del quemador según las indicaciones del cuadro de ajuste.
- Ajuste de los dispositivos de combustión.
- El generador de calor debe estar listo para funcionar; deben respetarse sus recomendaciones de utilización.
- Todas las conexiones eléctricas deben realizarse correctamente.
- El generador de calor y el sistema de calefacción deben estar lo

suficientemente llenos de agua; las bombas de circulación deben funcionar.

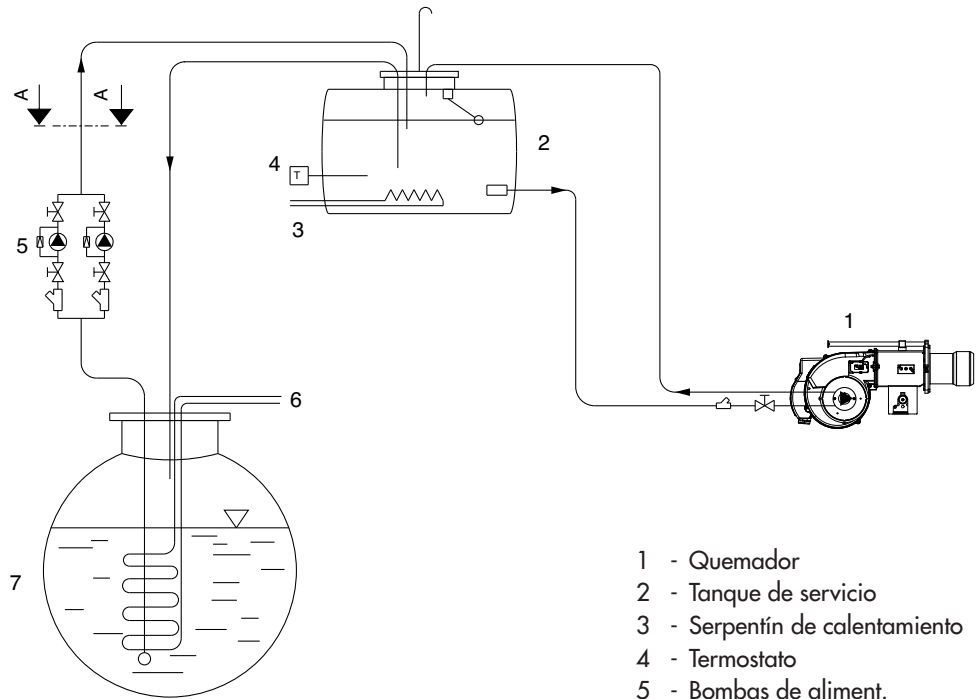
- El regulador de temperatura, el regulador de presión, la protección contra la falta de agua y el resto de dispositivos de limitación y de seguridad que puedan encontrarse presentes están conectados y operativos.
- La chimenea debe estar despejada y el dispositivo de aire adicional, si se encuentra instalado, en funcionamiento.
- Debe garantizarse un aporte suficiente de aire fresco.
- La solicitud de calor debe estar

presente.

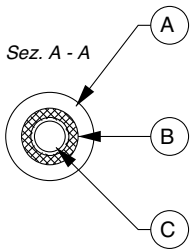
- Los depósitos de combustible deben estar llenos.
- Los conductos de combustible deben estar montados según las reglas del oficio, su estanqueidad comprobada y estar purgados.
- Debe existir un punto de medición conforme a las normas; el conducto de humos hasta el punto de medición debe ser estanco, de tal forma que los resultados de medición no se falseen.

# Instalación - Línea de alimentación del combustible

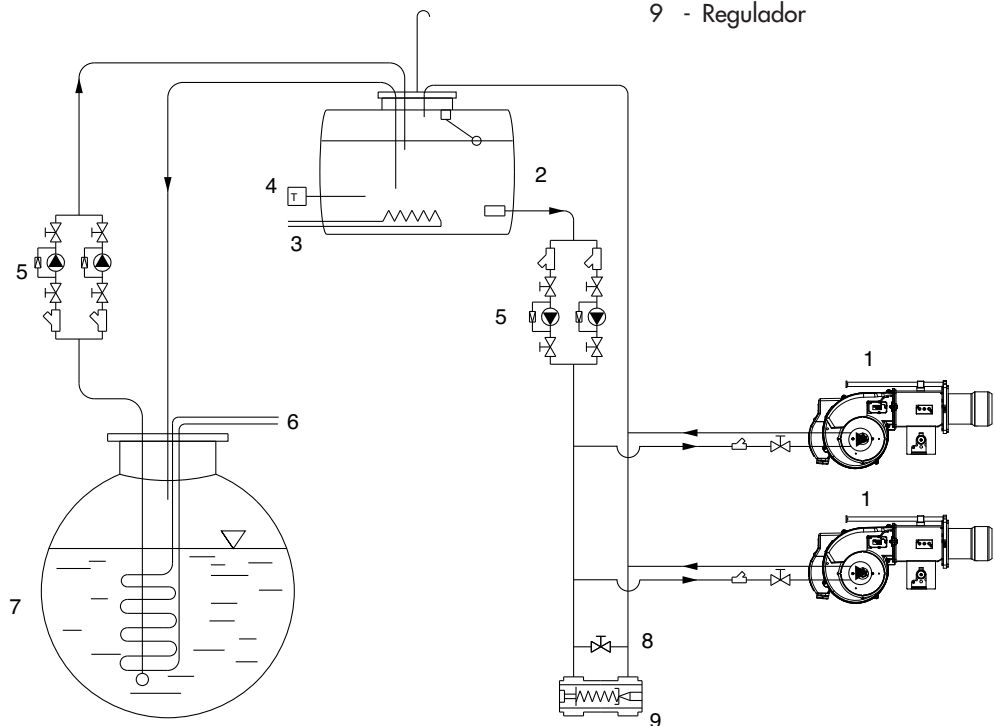
## ESQUEMA ALIMENTACIÓN FUEL PESADO HASTA A 15°E A 50°C



- 1 - Quemador
- 2 - Tanque de servicio
- 3 - Serpentin de calentamiento
- 4 - Termostato
- 5 - Bombas de aliment.
- 6 - Calentador
- 7 - Tanque principal
- 8 - By-pass
- 9 - Regulador



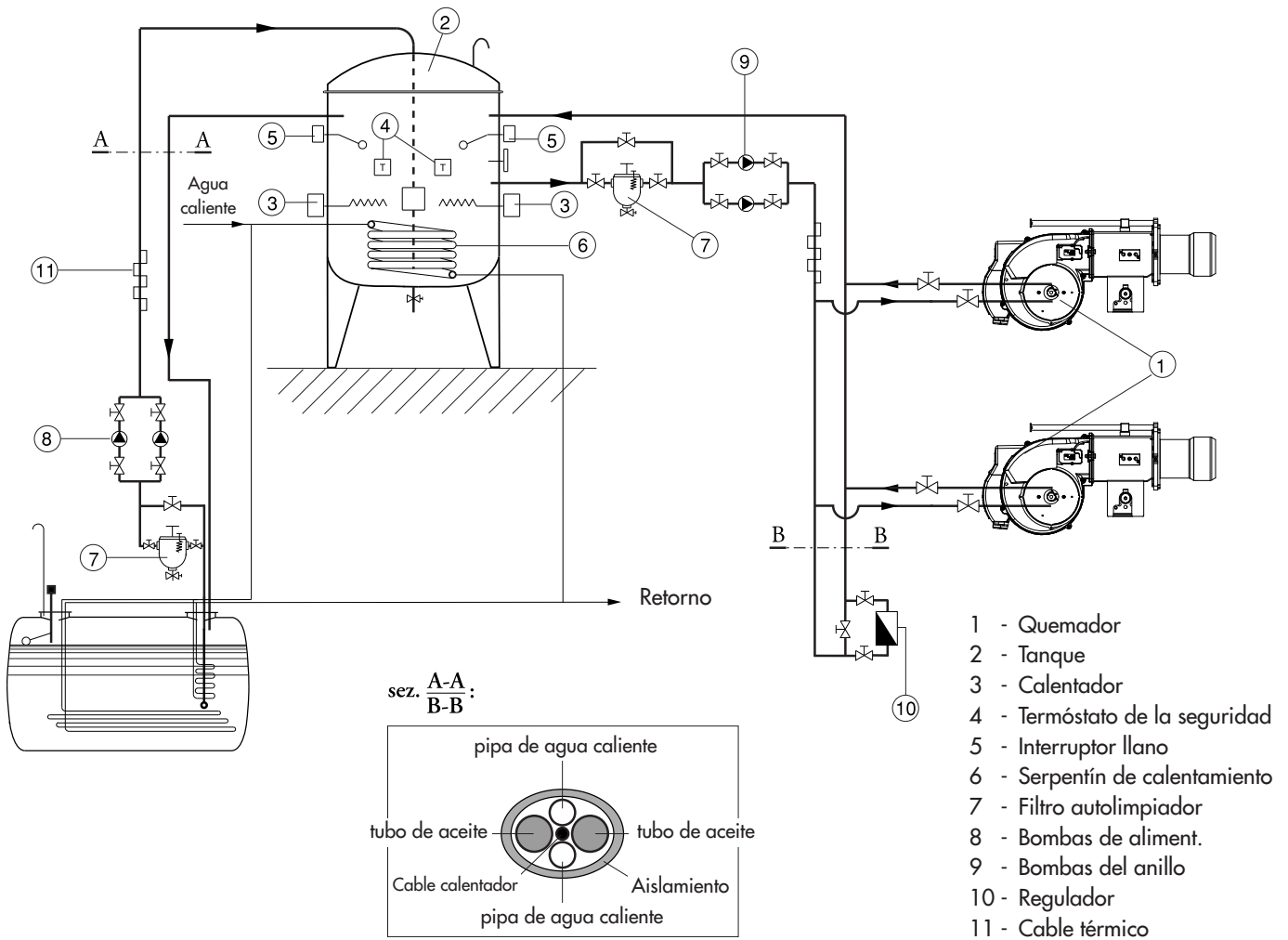
Leyenda  
 A - camisa aislante  
 B - Resistencia eléctrica  
 C - Tubo alim. combust.



**IMPORTANTE:** Toda la tubería de alimentación es calentada (ver a la secc. A-A)

## Instalación - Línea de alimentación del combustible

### ESQUEMA ALIMENTACIÓN FUEL PESADO HASTA A 50°C A 50°C



**IMPORTANTE:** Toda la tubería de alimentación es calentada (ver a la secc. A-A)

## Puesta en servicio - Datos de ajuste - Ajuste del aire

Maxflam 30 AB											
caudal quemador kW		presión en cámara de combustión mbar		caudal de fuel pesado kg/h		inyector 60° HO		presión bomba bar	reglaje de la cabeza	reglaje registro aire en servomotor	
1° llama	2° llama	1° llama	2° llama	1° llama	2° llama	1° llama	2° llama			1° llama	2° llama
205	274	1,6	3,3	18	24	3,00	1,00	23	1	18°	30°
<b>239</b>	<b>331</b>	<b>1,3</b>	<b>3,7</b>	<b>21</b>	<b>29</b>	<b>3,50</b>	<b>1,50</b>	<b>23</b>	<b>2</b>	<b>20°</b>	<b>40°</b>
274	388	1	4	24	34	4,00	2,00	23	3	20°	60°

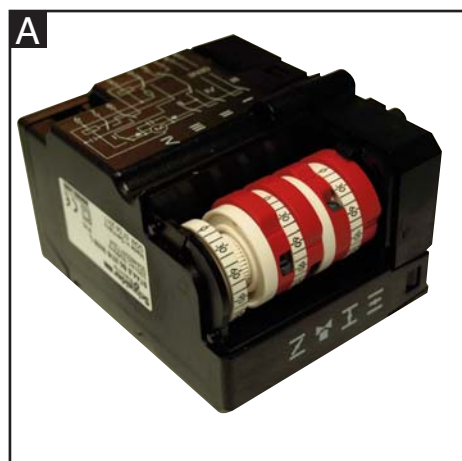
  

Maxflam 50 AB											
caudal quemador kW		presión en cámara de combustión mbar		caudal de fuel pesado kg/h		inyector 60° HO		presión bomba bar	reglaje de la cabeza	reglaje registro aire en servomotor	
1° llama	2° llama	1° llama	2° llama	1° llama	2° llama	1° llama	2° llama			1° llama	2° llama
205	296	1,5	3,5	18	26	3,00	1,50	23	1	15°	40°
<b>262</b>	<b>388</b>	<b>1,3</b>	<b>4</b>	<b>23</b>	<b>34</b>	<b>4,00</b>	<b>2,00</b>	<b>22</b>	<b>2</b>	<b>20°</b>	<b>50°</b>
308	479	1,4	4,7	27	42	4,50	2,50	23	3	20°	50°

Los datos de ajuste anteriores son **ajustes básicos**. En un caso normal, estos ajustes permiten la puesta en servicio del quemador. La regulación se tiene que comprobar utilizando un

anализador de combustión. Podrían ser necesarias correcciones subordinadas al propio equipo. Es posible obtener valores de combustión favorables mediante la utilización de los

inyectores siguientes:  
DANFOSS H+S 80°+60°  
DELAVAN W 60°  
STEINEN S 60°



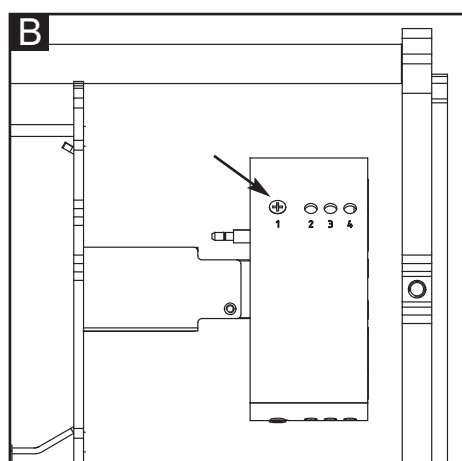
### Reglaje del aire (A).

Remover la tapa para acceder a las levas de regulación. La regulación de las levas tiene que ser efectuada con su apropiada llave de suministro. Descripción:

- I - Diente de regulación abertura del cierre del aire en 2a llama (potencia máx.).
- II - Diente de regulación de la posición del cierre al apagado (cierre) 0°.
- III - Diente del consentimiento abertura de la electroválvula de 2a llama.
- IV - Diente de regulación de la posición de abertura en 1a llama (potencia min.).

**Nota :** El diente III (de consentimiento del abertura de la electroválvula de 2a llama)

tiene que ser regulado en una posición intermedia entre la de la 1a llama y la de la 2a (bajo un ángulo cerca de 5° superior a lo de la posición de la 1a llama).



### Reglaje de la cabeza de combustión (B).

Extraer el quemador de la brida. Modificar la posición de la banda (1,2,3,4) en el cabezal girando el tornillo con un destornillador hasta alcanzar el valor deseado. Fijar la banda y volver a montar el quemador en la brida.

## Puesta en servicio - Ajuste del quemador - Ajuste de la presión de fuel pesado

**!** **Existe riesgo de deflagración:** controle constantemente el CO, el CO<sub>2</sub> y las emisiones de humo durante el ajuste. En caso de formación de CO, optimice los valores de combustión. El contenido de CO no debe ser superior a 50 ppm.

### Arranque del quemador

Antes de la puesta en marcha del quemador, cargar los tubos hasta que el filtro del fuel pesado se llene. Poner en marcha el quemador accionando el termostato de la caldera. Para eliminar completamente el aire del tubo del fuel pesado, desatornillar el tornillo de purgado en el filtro del fuel pesado durante la fase de preventilación. Al hacerlo, no se debe alcanzar una depresión 0,4 bar. Cuando el filtro esté completamente lleno de fuel pesado y empiece a salir el fuel pesado sin burbujas de aire, vuelva a cerrar el tornillo de purga.

### Regulación de la potencia del quemador

Regular la presión del fuel pesado de forma que el quemador suministre la potencia deseada, accionando el regulador de presión. Controlar siempre los valores de la combustión (CO, CO<sub>2</sub>, índice de humo). En caso necesario, modificar el caudal de aire, eventualmente de forma progresiva.

### Optimizar los valores de combustión

Si los valores de combustión no son satisfactorios, modificar la posición del cabezal de combustión. De esta forma se modifica el comportamiento de puesta en marcha y los valores de la combustión. Si es necesario, compense la variación de caudal de aire adaptando la posición de la válvula de aire.

**Atención: en caso de instalación sobre caldera, respetar la temperatura mínima de los gases de combustión**

**según las indicaciones del fabricante de la caldera y según los requisitos del sistema de escape de dichos gases, para evitar la formación de condensación.**

### Regulación presión del fuel pesado

Para regular la presión del fuel pesado (y por lo tanto la potencia del quemador) accionar el regulador de presión **5** en la bomba.

Girar hacia:

- derecha: aumento de la presión;
- izquierda: reducción de la presión.

Para el control es necesario conectar un manómetro a la conexión, manómetro **3**, roscado R1/8".

### Control depresión

El vacuómetro para el control de la depresión tiene que estar conectado al racor **4**, R1/8". Depresión máxima permitida: 0,4 bar. Con una depresión superior, el fuel pesado de calentamiento se gasifica provocando un ruido estridente y desperfectos en la bomba.

### Regulación de los termostatos fuel pesado

El termostato de trabajo de las resistencias tiene que ser regulado a 100-140 °C y el termostato de seguridad es pre-calibrado. Estas regulaciones pueden ser ligeramente modificadas según el tipo de combustible y para instalaciones especiales.

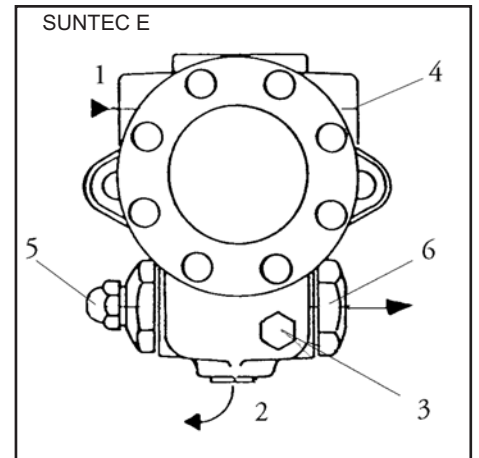
- A - Termostato de trabajo (100-140 °C).
- B - Termostato de parada (150 °C).

- C - Termostato cabeza de combustión (120-140 °C).

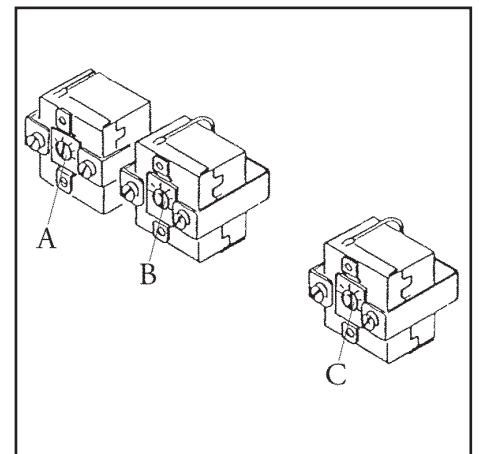
### Control de funcionamiento

Es necesario realizar un control de la seguridad de la vigilancia de la llama tanto durante la primera puesta en servicio como después de las revisiones o tras una parada prolongada de la instalación.

- Intento de arranque con la célula de detección de llama ocultada: al término del tiempo de seguridad, el cajetín de control y de seguridad debe moverse anomalía.
- Arranque con la célula de detección de llama iluminada: tras una preventilación de 5 segundos, el cajetín de control y de seguridad debe moverse anomalía.
- Puesta en marcha normal; si el quemador funciona, oculte la célula de detección de llama: tras un nuevo arranque y una vez transcurrido el tiempo de seguridad, el cajetín de control y de seguridad debe moverse anomalía.



- 1 conexión de aspiración.
- 2 conexión de retorno.
- 3 conexión manómetro.
- 4 conexión vacuómetro.
- 5 ajuste de la presión de fuel pesado.
- 6 conexión presión.



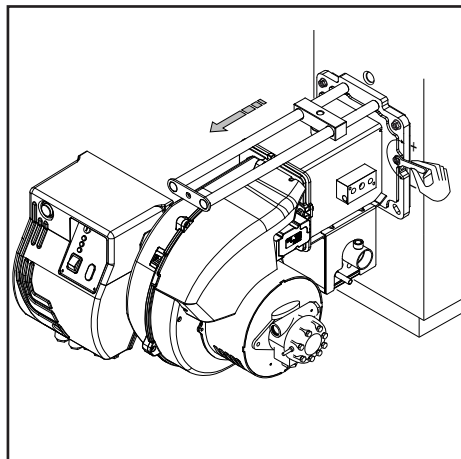
<b>Registro de los datos de puesta en funcionamiento</b>			
Test		n°1	n°2
Fecha			
Model			
Tipo de fuel pesado			
Valor calorífico del fuel pesado			
Potencia del quemador	min	kW	
Potencia del quemador	max	kW	
Temperatura de los humos		C°	
Temperatura del aire		C°	
CO <sub>2</sub>		%	
CO		ppm	
NOx		ppm	
Rendimiento		%	
Acción correctiva			
Nombre del operador			
Empresa			

## Mantenimiento - Conservación

Las operaciones de mantenimiento de la caldera debe llevarlas a cabo un técnico especialista en calefacción. Para garantizar la realización anual de los trabajos de mantenimiento, se recomienda firmar un contrato de mantenimiento.

### Atención

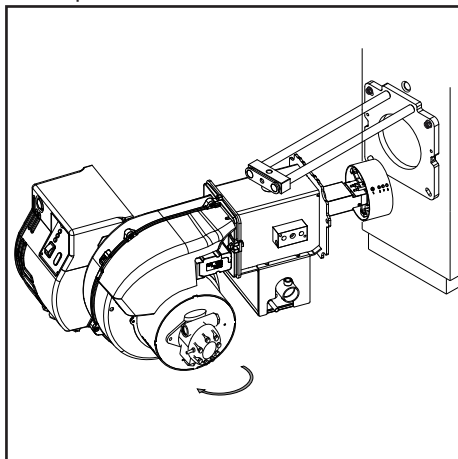
- Antes de realizar cualquier intervención de mantenimiento y limpieza, cortar el suministro eléctrico.
- La tobera y los componentes del



cabezal pueden estar calientes.

### Control de las temperaturas de los gases de combustión

- Compruebe con regularidad la temperatura de los gases de combustión.
- Limpie la caldera cuando la temperatura de los gases de combustión supere el valor de puesta en servicio en más de 30 °C.
- Utilice un indicador de temperatura de los gases de combustión para facilitar la comprobación.

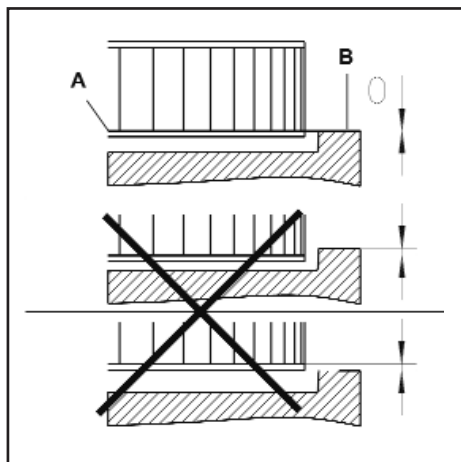


### Posiciones de mantenimiento del quemador

- Después de aflojar los tornillos de fijación a la brida del quemador, se puede extraer este último y girarlo para situarlo en la posición de mantenimiento para: sustitución del inyector sustitución/regulación electrodos limpieza/sustitución del disco reglaje de la cabeza de combustión

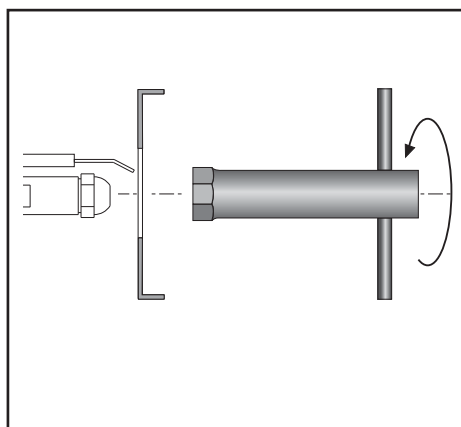
### Posiciones de mantenimiento

- Limpiar la turbina y el cárter y comprobar que no estén deteriorados.
- Comprobar y limpiar la cabeza de combustión.
- Sustituir el inyector.
- Comprobar los electrodos de encendido, ajustarlos o sustituirlos si es necesario.
- Volver a montar la cabeza de combustión. Comprobar los ajustes.
- Montar de nuevo el quemador.
- Poner en marcha el quemador, comprobar la combustión y corregir los ajustes del quemador si es necesario.
- Todos los componentes de alimentación de combustible (mangueras, bomba, tubo de unión con la línea de boquilla de inyección) y sus acoplamientos respectivos deben ser comprobados (estanqueidad, desgaste) y cambiados si es preciso.
- Comprobar las conexiones eléctricas y los cables y sustituirlos en caso necesario.
- Comprobar el filtro de la bomba y limpiarlo si es preciso.



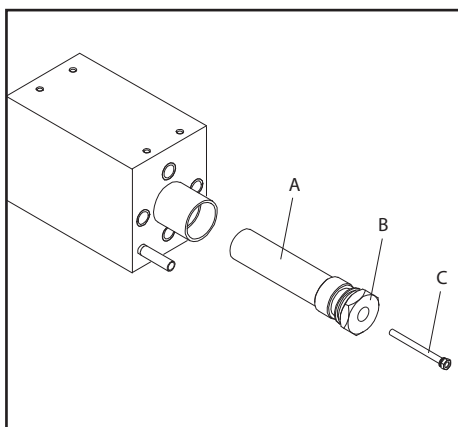
### Montaje de la turbina

Durante el cambio de ventola o motor, remitir al esquema de posicionamiento. El disco interno A de la turbina debe ser alineado con la placa B. Introduzca una regleta entre los álabes de la turbina y sitúe A y B a la misma altura, apretar el tornillo con ranura en el ventilador.



### Limpieza y sustitución del inyector

Utilizar solamente la llave de suministro para desmontar el inyector, teniendo cuidado de no estropear los electrodos. Montar el nuevo inyector con el mismo



### Limpieza del filtro precalentador

Estracción del filtro:

- 1 Apagar el quemador.
- 2 Extraer la bombilla del termómetro fuel pesado C.
- 3 Aflojar el tornillo B y descargar una parte del aceite contenido en el tanque calentador para que el nivel del líquido descienda más bajo de lo del filtro.
- 4 Destornillar y sacar de su sede el mango del filtro A.
- 5 Después de haber limpiado el filtro, remontar sus piezas como indicado por la ilustración y reintroducirlo en su propia sede. Es una buena norma reemplazar todas las juntas del filtro cada vez que se desmontan los mismos.

**Note: Se recuerda que cada vez que el quemador es en marcha, en el calentador hay una presión cerca de 23 bar y que es muy peligroso efectuar dichas operaciones cuando el quemador está en función.**

cuidado.

**NB:** Comprobar todavía la posición de los electrodos después del montaje (ver a la ilustración). Una posición errada puede originar problemas de encendido.



## Mantenimiento - Posibles inconvenientes

### Causas y resolución de anomalía

En caso de anomalía se deben comprobar las condiciones de funcionamiento normal:

1. Hay corriente eléctrica?
2. Hay fuel pesado en la cisterna?
3. Están abiertas todas las válvulas de cierre?
4. Todos los aparatos de regulación y de seguridad, como por ejemplo el termostato de la caldera, el dispositivo de protección contra la falta de agua, el interruptor de fin de carrera, etc. están regulados?

En el caso de que, después de comprobar los puntos arriba, la anomalía persiste, consulte la tabla siguiente.

Los componentes de seguridad no debe ser reparado, pero se debe reemplazados por componentes de la muestra el mismo número de artículo.

### Utilice exclusivamente piezas.

### NB: Después de cualquier intervención:

- bajo condiciones de funcionamiento normales (las puertas se cerraron, capilla cabida, etc.), la combustión del cheque y comprueba las líneas individuales para saber si hay escapes.
- Registre los resultados en los documentos relevantes.

Cuadro de códigos de error		
Código de destellos rojos de la señal luminosa (LED)	«AL» en el term. n°10	Posible causa
2 destellos	encendido	No se fijó la llama al finalizar el «TSA» - Válvulas de combustible defectuosas o sucias – Detector de llama defectuoso o sucio - Mal ajuste de quemador, sin combustible – Equipo de encendido defectuoso
3 destellos	encendido	Libre
4 destellos	encendido	Luz extraña en el arranque del quemador
5 destellos	encendido	Libre
6 destellos	encendido	Libre
7 destellos	encendido	Excesiva pérdida de llama durante la operación (limitación del número de repeticiones).- Válvulas de combustible defectuosas o sucias. - Detector de llama defectuoso o sucio. - Mal ajuste del quemador.
8 destellos	encendido	Tiempo de supervisión del precalentador de aceite. - El precalentador de aceite falló cinco veces durante la operación de prepurga.
9 destellos	encendido	Libre
10 destellos	apagado encendido	Falla en el cableado o falla interna, contactos de salida, otros defectos. 3 veces: falla temporal de los contactos de salida.

## Содержание общего характера - Содержание - Предупреждения общего характера - Сертификат соответствия

Обзор	Технические характеристики	3
	Рабочий диапазон	4
	Размеры	5
Содержание общего характера	Содержание	58
	Предупреждения общего характера	58
	Сертификат соответствия	58
	Описание горелки	59
Функция	Общие функции безопасности	60
	Блок управления и безопасности Siemens LMO44	61
	Насос горелки	62
Установка	Установка горелки	63
	Электрическое соединение	64
	Необходимые проверки перед пуском в эксплуатацию	64
	Линия питания горючего	65
Ввод в эксплуатацию	Параметры конфигурации - Регулировка подачи воздуха	67
	Регулировка горелки	68
	Регулировка давления дизельного топлива	68
	Регистрация данных о вводе в эксплуатацию	68
Техническое обслуживание	Работы по техническому обслуживанию	69
	Возможные неполадки	70
Обзор	Электрические схемы	71-72
	Запчасти	73-75

### Сертификат соответствия мазут горелок

Мы, компания

### Ecoflam Bruciatori S.p.A.

заявляем под свою ответственность, что горелки на мазут

### MAXFLAM

соответствуют требованиям следующих стандартов:

EN 267	EN 50156-1
EN 55014-1	EN 55014-2
EN 60335-1	EN 60335-2-102
EN 61000-6-2	EN 61000-6-3

Эти изделия маркируются знаком CE в соответствии с директивами:

2014/35/UE Low Voltage Directive  
2014/30/UE EMC Directive  
2006/42/EC Machine directive  
2011/65/EU RoHS2 directive

April 2017 / Mr. Fabrizio Miorin

R&D Manager

### Основные указания

Горелки производства Ecoflam были разработаны и изготовлены в соответствии с действующими нормативами и директивами.



**Все горелки соответствуют стандартам безопасности и энергосбережения в пределах заявленного рабочего поля.**



**Запрещается эксплуатация горелки за пределами рабочего диапазона.**

Качество продукции гарантировано системой сертификации в соответствии с нормой ISO 9001:2008

Горелки MAXFLAM предназначены для сжигания мазута.



**Горелки соответствуют норме EN 267. Монтаж, пуск в эксплуатацию и техническое обслуживание должны производиться только квалифицированными техническими специалистами с соблюдением всех действующих директив и предписаний.**

### Описание горелки

Двухступенчатая горелка MAXFLAM работает полностью в автоматическом режиме при запуске моноблока. Форма головки горения позволяет получить низкий уровень выделения NOx и продуктов горения, максимально повышая таким образом КПД теплогенератора. Выделения могут отличаться от значений, полученных в испытательной лаборатории, так как

значительно зависят от типа теплогенератора, в котором устанавливается горелка. Монтаж должен отвечать требованиям действующих нормативов. Например, необходимо избегать помещений с опасной атмосферой или без вентиляции.

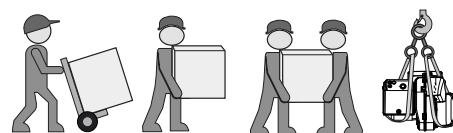
### Упаковка и перемещение

Перемещение горелки в упаковке следует осуществлять на тележке или на подъемнике, проявляя особую осторожность, чтобы не допустить ее падения, в связи с чем горелка должна находиться на расстоянии не более 20 см от земли. После удаления упаковки проконтролируйте целостность содержимого, а также соответствие оформленному заказу. В случае сомнений свяжитесь с производителем.



**Установка горелки должна осуществляться квалифицированным персоналом.**

Если размер и вес не позволяют поднять изделие вручную одному человеку, привлечите к выполнению этой операции еще одного работника или воспользуйтесь грузоподъемным



механизмом. Если на горелке не предусмотрены рым-болты, зачальте ее с помощью строп.



Используйте принадлежности, входящие в комплект поставки (фланец, уплотнение, болты и гайки). При установке горелки на котел проявляйте осторожность, чтобы не повредить изолирующую прокладку.

### Гарантия не распространяется на возмещение ущерба, вызванного следующими причинами:

- ненадлежащее использование
- неправильная установка, установка, выполненная покупателем или третьими лицами, использование неоригинальных элементов.

### Передача установки пользователю и рекомендации по эксплуатации

Установщик обязан не позднее момента передачи установки пользователю передать ему инструкции по эксплуатации и техническому обслуживанию установки. Они должны храниться в котельной на видном месте. В них должен быть указан номер телефона и адрес ближайшего центра технического обслуживания.

### Рекомендации пользователю

Не менее одного раза в год оборудование должно проверяться квалифицированным специалистом. Для обеспечения регулярных проверок рекомендуется заключить договор на проведение технического обслуживания.

## Содержание общего характера - Описание горелки

### MAXFLAM 30 АВ ТС 230-400-50

#### НАЗВАНИЕ

MAXFLAM мазут

#### МОДЕЛЬ (газ: kW; Газойль: kg/h)

MAXFLAM 30 36 kg/h - 410 kW

#### Тип операции

- 1 этапе  
**АВ** 2 этапе

#### Головка типа

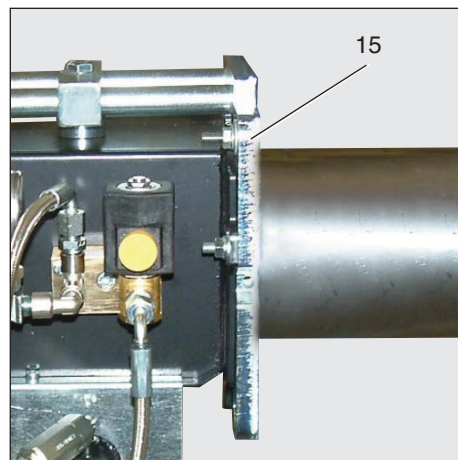
**ТС** КОРОТКАЯ ОГНЕВАЯ ГОЛОВКА  
**ТЛ** ДЛИННАЯ ОГНЕВАЯ ГОЛОВКА

#### ТОПЛИВО

Мазут

#### ИСТОЧНИК ПИТАНИЯ

230-400-50 230-400 Volt, 50 Hz



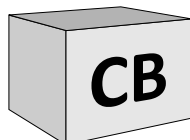
- A1 Siemens LMO44 Блок управления и безопасности
- M1 Электродвигатель вентилятора и насос
- T1 Устройство розжига
- 5 Винт крепления панели
- 9 Электрический щит
- 15 Фланец горелки
- 16 спусковой кнопки
- 102 насос
- 103B регулировка воздуха
- 113 ВОЗДУХОЗАБОР

#### Упаковка

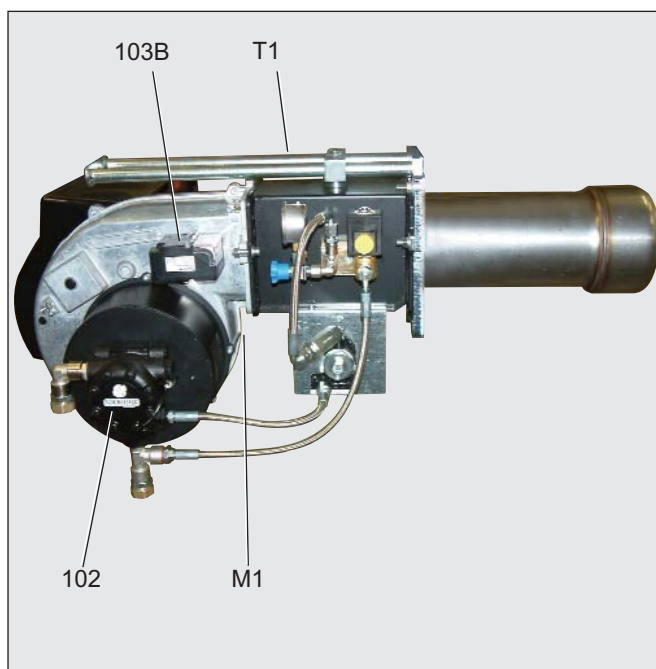
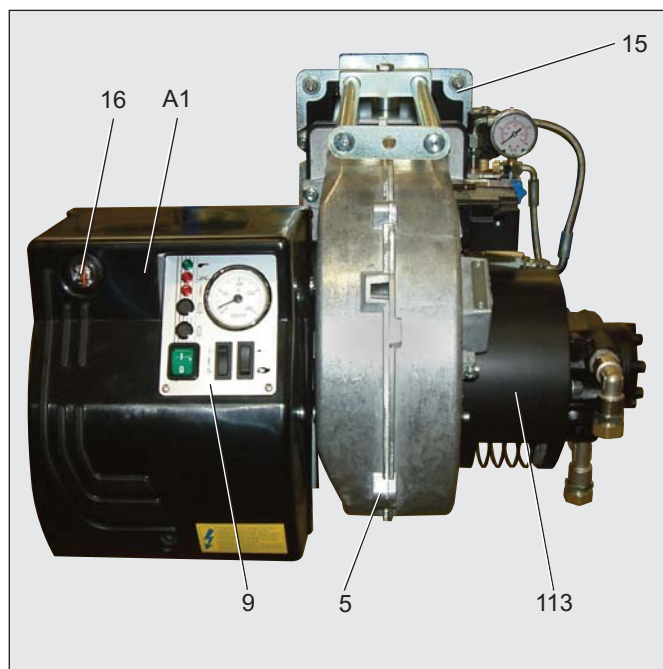
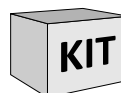
CB : ГОРЕЛКА В КОМПЛЕКТЕ

- 1 пакет

- многоязычное техническое руководство.
- фильтр и гибкие шланги.
- штепсель wieland.
- форсунка и ключ для форсунки.
- винты, гайки и шайбы.



**KIT & ACS** заказываемые и поставляемые отдельно



## Функция - Общие функции безопасности

### Работа

- Подать напряжение горелку.  
По достижении температуры, заданной рабочим термостатом, и при наличии сигнала от котла, блок управления запускает двигатель вентилятора, топливный насос и трансформатор розжига.  
Одновременно включаются нагревательные элементы. ТЭНы служат для поддержания постоянной температуры в баке горелки.  
- Начинает работать электродвигатель, включается система розжига и начинается период предварительной вентиляции (25 секунд).  
- Во время предварительной вентиляции, топочная камера отслеживается на предмет обнаружения возможного наличия пламени.  
- По окончании предварительной вентиляции открываются электроклапаны мазут и происходит запуск горелки.

- Во время работы горелки система розжига отключена.

### Отключение регуляции

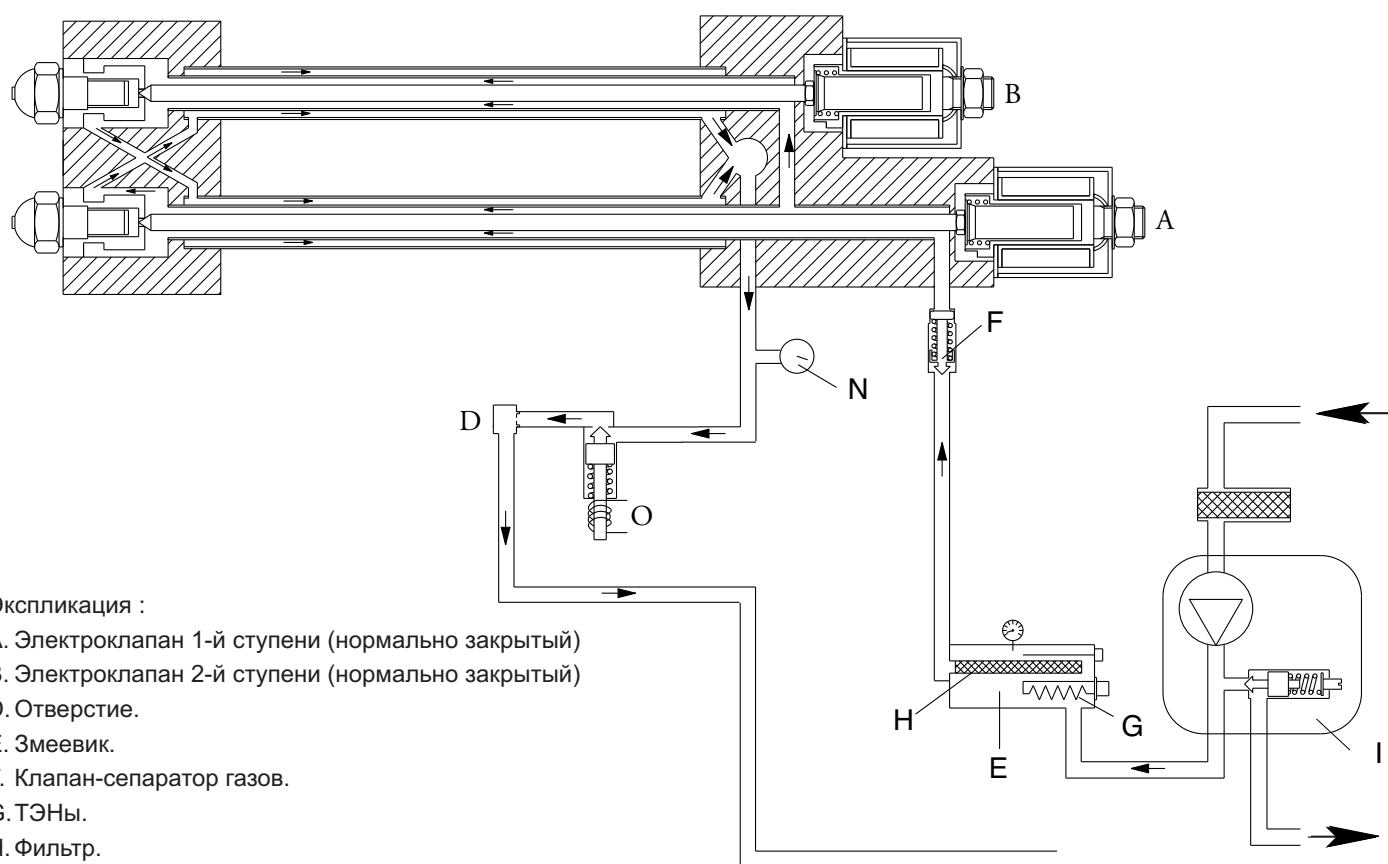
- Регулятор котла прерывает запрос на тепло.  
- Электромагнитные топливные клапаны закрываются и пламя гаснет.  
- Электродвигатель горелки останавливается.  
- Горелка готова к работе.

### Режим безопасности

Переход в режим безопасности происходит:

- если во время предварительной вентиляции появляется сигнал обнаружения пламени (паразитное пламя);  
- если при розжиге (открытие клапана) по истечении 5 секунд не появляется сигнал обнаружения пламени (время безопасности);  
- если, в случае случайного угасания

пламени и после попытки повторного розжига, пламя не появляется. Переход в режим безопасности сопровождается включением сигнальной лампы неисправности. После устранения причины неисправности разблокировка горелки выполняется нажатием на кнопку разблокировки. Более детальная информация приведена в описании блока управления и безопасности.



Экспликация :

A. Электроклапан 1-й ступени (нормально закрытый)

B. Электроклапан 2-й ступени (нормально закрытый)

D. Отверстие.

E. Змеевик.

F. Клапан-сепаратор газов.

G. ТЭНы.

H. Фильтр.

I. Топливный насос.

N. Манометр.

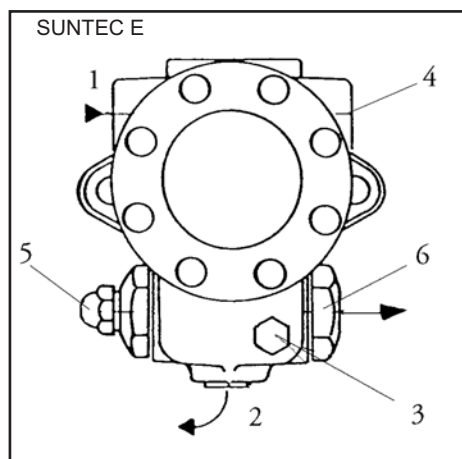
O. Электроклапан (нормально открытый).

N.C. = нормально закрытый

N.O. = нормально открытый



## Функция - Насос горелки



- 1 Всасывающий штуцер.
- 2 Нагнетательный штуцер.
- 3 Точка подключения манометра (давление топлива).
- 4 Точка подключения манометра (разрежение).
- 5 Регулирование давления дизельного топлива.
- 6 Штуцер давления.

Насос, используемый в горелке мазут – это насос шестерённый самовсасывающий насос, который должен быть соединён с однотрубной системой; в систему труб аспирации вставить фильтр. В насос встроены фильтр аспирации и регулятор давления мазут. Перед вводом в эксплуатацию аппарата

подключить манометры для измерения давления и разрежения.

**Примечание:** Перед запуском горелки проверить, чтобы обратный клапан был открыт. Любое препятствие может вызвать повреждение прокладки насоса.

### TECHNICAL DATA

#### Общие сведения

Вид крепления	Фланцевое
Резьба соединений	Цилиндрическая, согл. ISO228/1
Входной и обратный т/провод	G 1/2"
Т/провод к форсунке	G 1/4"
Гнездо манометра	G 1/8"
Гнездо вакуумметра	G 1/2"
Функция клапана	Давление регулируя без выключения
Фильтр	поверхностный профит : 45 cm2 фильтрация степень : 550 µm
Вал	Ø 11 mm
Байпасная пробка	введено в возвращенное отверстие В 2х-трубной системе; В 1-трубной системе: демонтировать 6-гранным ключом разм. 3/16"
Вес	4 кг

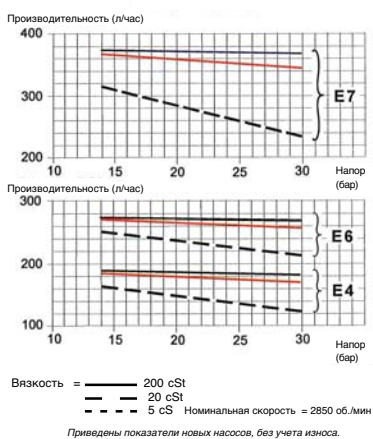
#### Гидравлические характеристики

Диапазон давления в форсунке	14 - 30 бар
Заводская регулировка давления	20 бар
Рабочая вязкость	3 - 75 cSt
Температура дизтоплива	0 - 130°C max. in the pump
Давление на входе	Дизтопливо : разрежение не более 0,45 бар во избежание отделения воздуха Мазут: не более 3,5 бар.
Давление в обратн. т/п	Дизтопливо: не более 3,5 бар Мазут: не более 3,5 бар
Номинальная скорость двигателя	не более 3600 об./мин
Крутящий момент	0,3 N.m

#### ТЭН

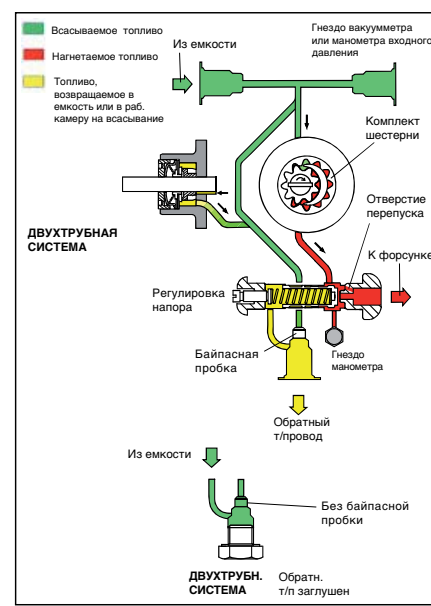
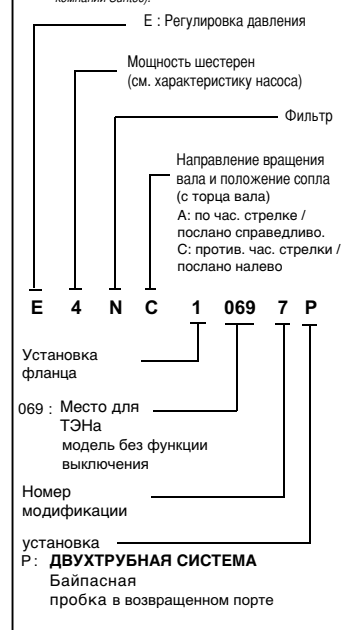
Кожух	Ø 12 mm
Крепление	согласно EN 50262
Номинальная мощность	50-80 W

#### Потребляемая мощность

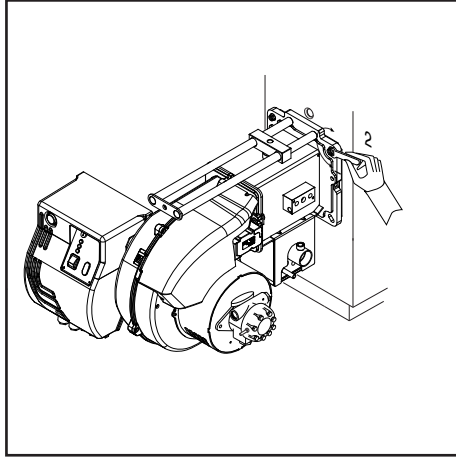
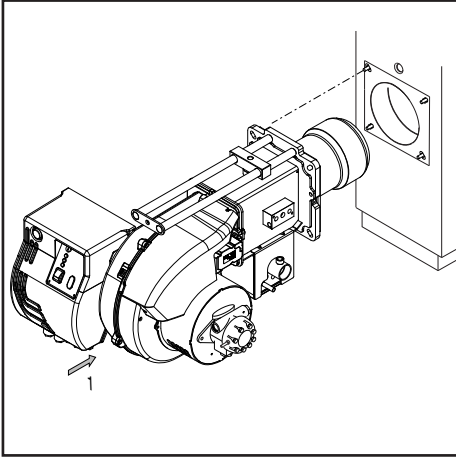


### ИДЕНТИФИКАЦИЯ НАСОСА

(Не все возможные конфигурации насосов имеются в наличии. За консультацией обращайтесь к местному представителю компании Zintec).



## Установка - Установка горелки



### Монтаж горелки

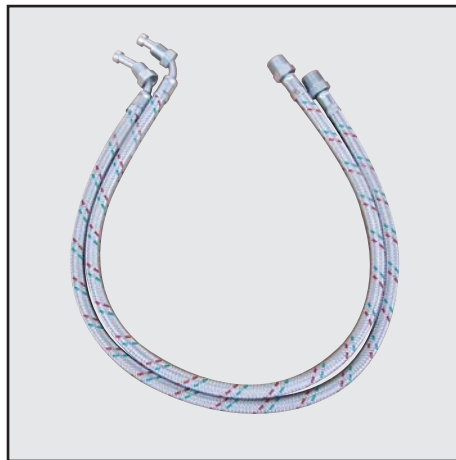
Горелка крепится к фланцу подключения и, следовательно, к котлу, таким образом, камера сгорания будет закрыта герметически.

### Монтаж :

- Закрепить фланец креплением к котлу винтами.

### Демонтаж :

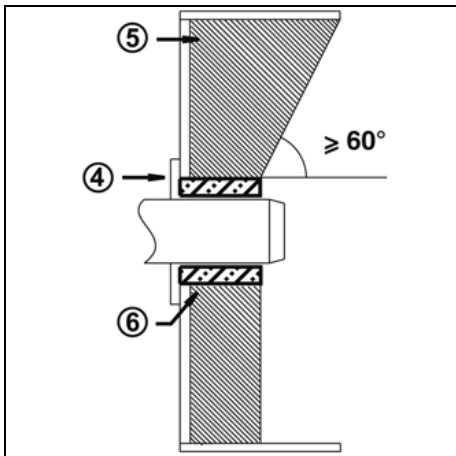
- Ослабить винт.
- Медленно извлеките горелку из котла.



### Подключение топливопровода

Этот фильтр должен устанавливаться так, чтобы обеспечивалась правильная прокладка шлангов.

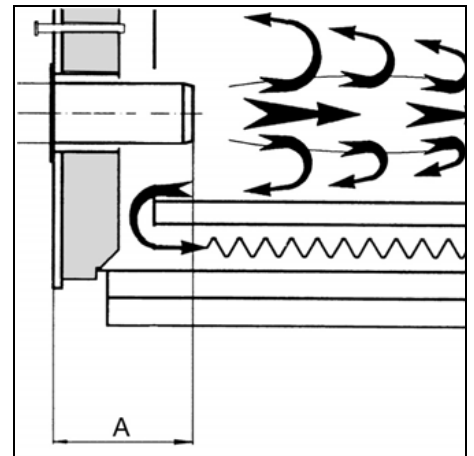
Шланги не должны пережиматься.



### Глубина установки сопла горелки и огнеупорное уплотнение

Для котлов без охлаждения передней стенки и при отсутствии других указаний со стороны производителя котла, необходимо выполнить огнеупорную вставку или теплоизоляцию (5), как показано на рисунке слева.

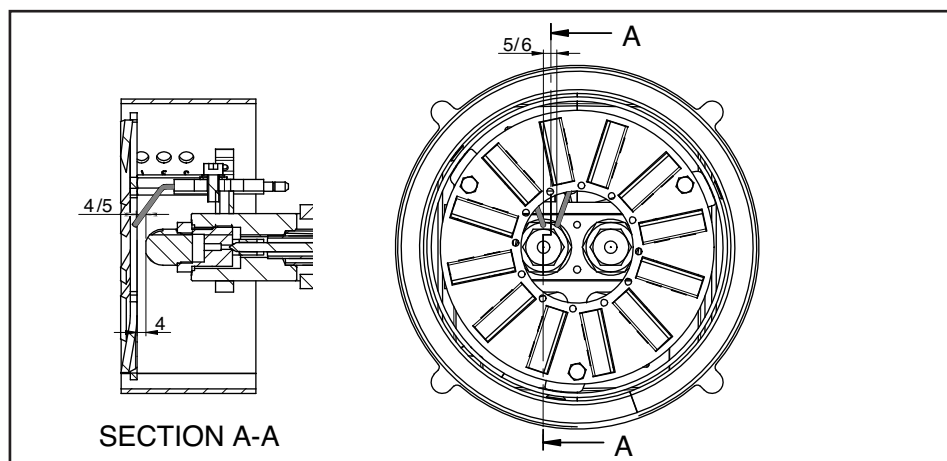
Огнеупорная вставка не должна заходить за передний край сопла горелки, а угол ее конического скоса не должен превышать 60°. Воздушный промежуток (6) должен быть заполнен эластичным и невоспламеняемым теплоизоляционным материалом.



### Система отвода продуктов горения

Для предотвращения неприятного шума не рекомендуется применять для соединения котла с дымоходом соединительные детали с проходным каналом, изогнутым под прямым углом.

## Установка - Подключение к электросети - Необходимые проверки перед пуском в эксплуатацию



### Положение электродов

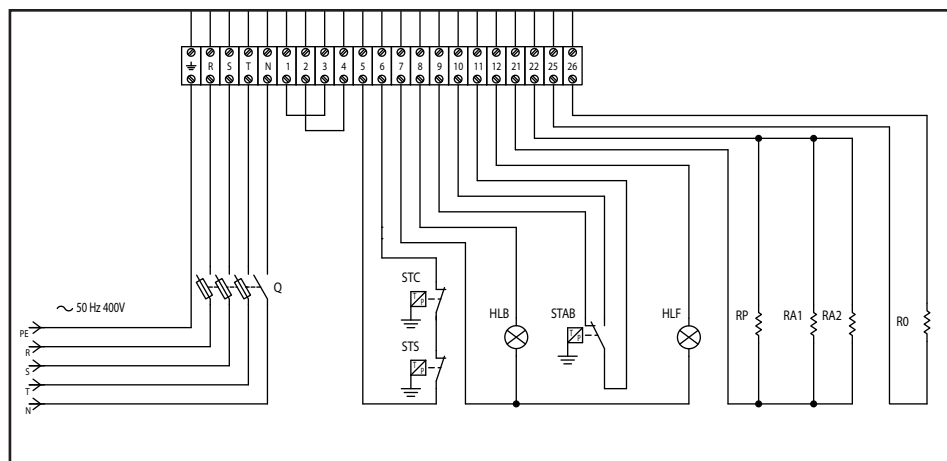
После замены форсунки обязательно проверьте положение электродов (см. рис.). Неправильное положение электродов может затруднить розжиг горелки.

### Электроподключение

Электропроводка и все работы по подключению к сети должны выполняться только квалифицированным электриком. Должны выполняться действующие предписания и директивы. Установка электропитания должна быть оснащена дифференциальным выключателем типа А.

**Строго соблюдать действующие предписания и директивы, помимо электросхемы, поставляемой с горелкой!**

- Убедитесь, что напряжение электропитания соответствует указанному рабочему напряжению.
- Защита горелки: 5 А



### Проверки перед пуском в эксплуатацию

Перед первым запуском следует проверить следующее:

- Убедитесь, что горелка установлена согласно настоящей инструкции.
- Предварительная регулировка горелки выполнена правильно, согласно указанным в таблице регулировок значениям.
- Настройка органов горения
- Теплогенератор должен быть готов к работе согласно инструкции по его использованию.
- Все электрические соединения выполнены правильно.
- Теплогенератор и система отопления

заполнены достаточным количеством воды. Циркуляционные насосы действуют.

• Регуляторы температуры и давления, устройство защиты от недостатка воды, а также другие предохранительные и защитные устройства, используемые на установке, правильно подсоединены и действуют.

• Вытяжная труба должна быть прочищена.

Устройство для подачи дополнительного воздуха, если оно установлено, в рабочем состоянии.

- Гарантирована подача свежего

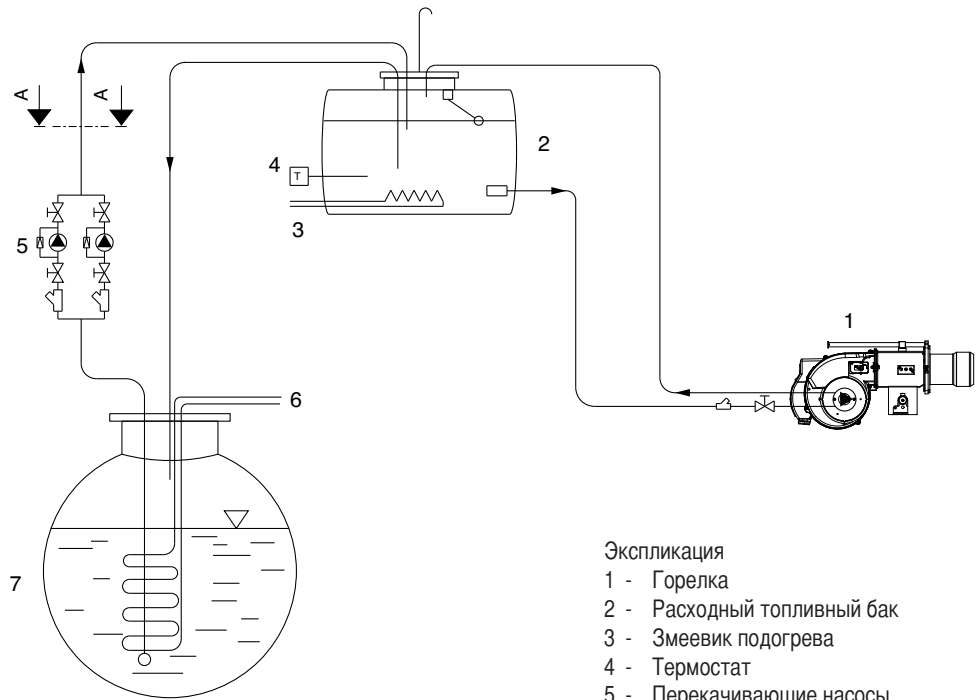
воздуха.

- Получен запрос на тепло.
- Баки заполнены топливом.
- Топливопроводы установлены согласно техническим нормам, прочищены и проверена их герметичность.
- Согласно существующим нормам на вытяжной трубе должна находиться точка измерения. До этого места труба должна быть герметичной для того, чтобы подсос наружного воздуха не повлиял на результаты измерений.



## Установка - Линия питания горючего

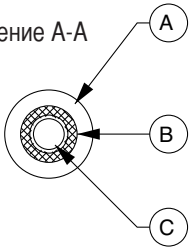
Схема подачи мазута с вязкостью не более 15°Е при 50°С



Экспликация

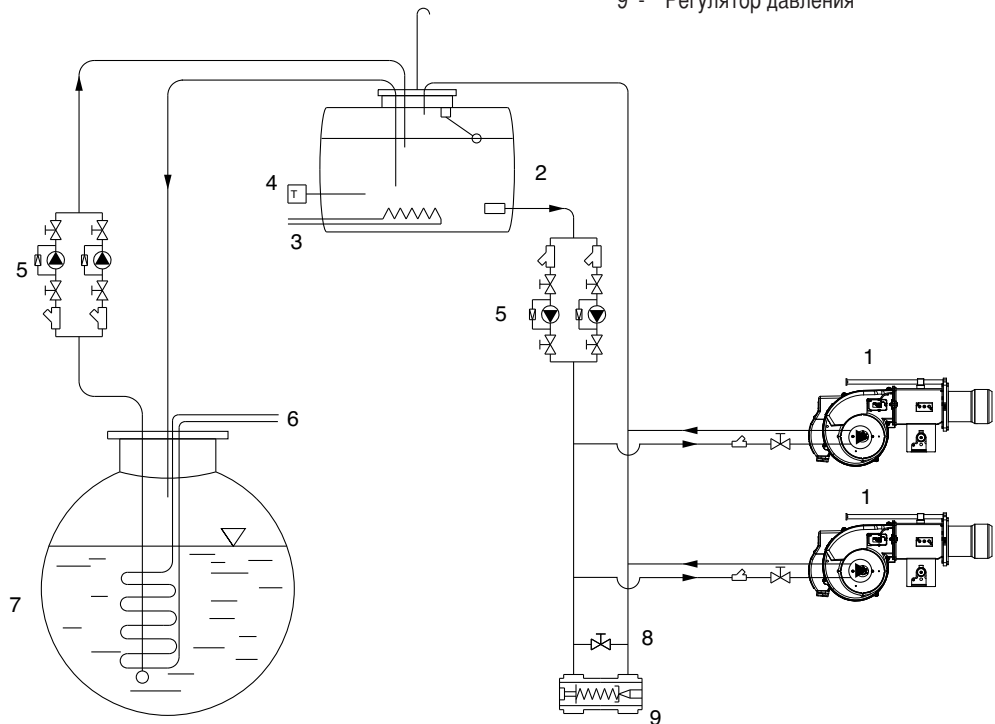
- 1 - Горелка
- 2 - Расходный топливный бак
- 3 - Змеевик подогрева
- 4 - Термостат
- 5 - Перекачивающие насосы
- 6 - Змеевик подогрева
- 7 - Топливный бак
- 8 - Байпас
- 9 - Регулятор давления

Сечение А-А



Экспликация

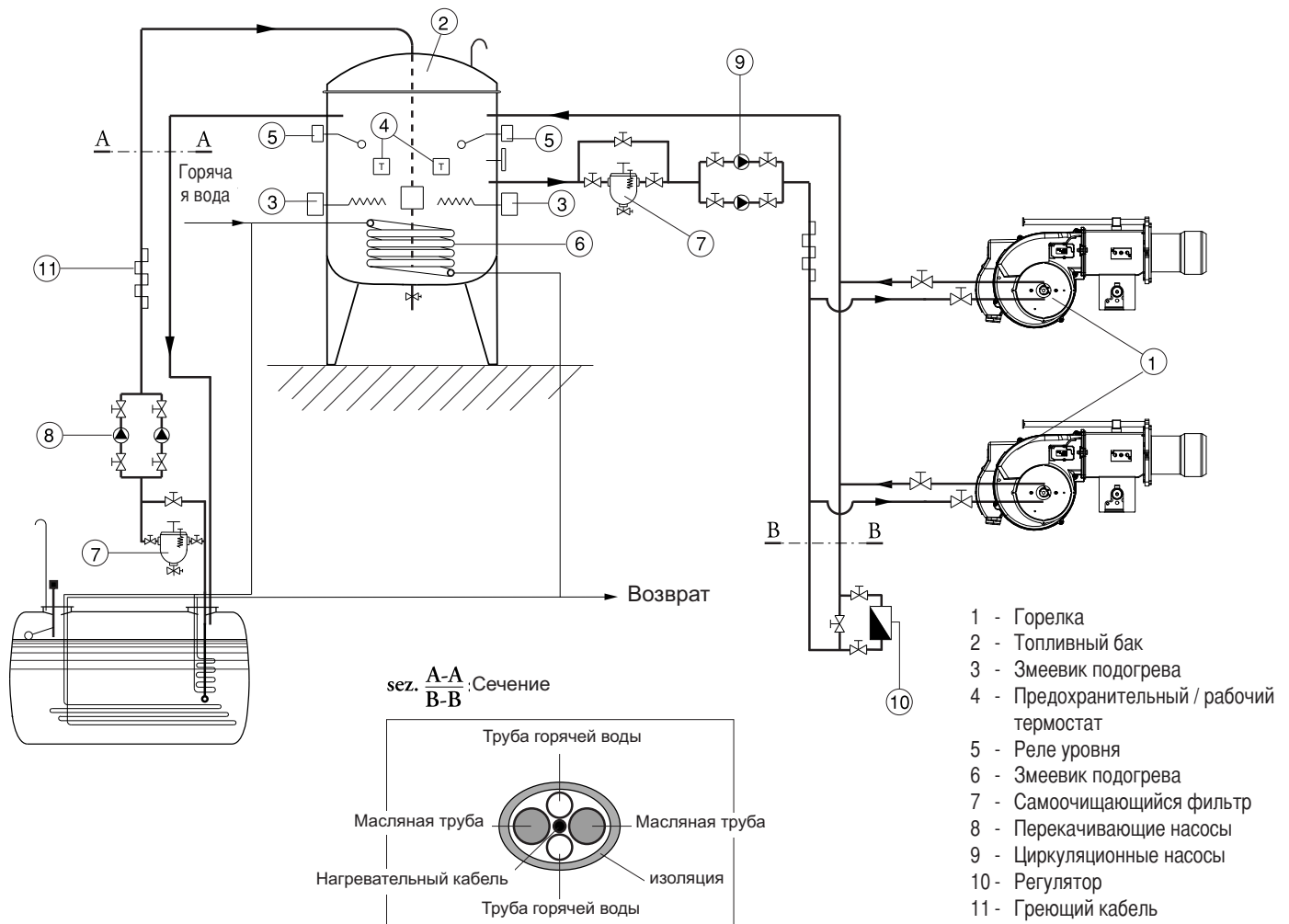
- А - Изоляция
- В - Греющий кабель
- С - Топливопровод



**ВНИМАНИЕ:** Все топливопроводы должны быть оснащены греющим кабелем и изолированы (см. сеч. А-А).

## Установка - Линия питания горючего

Схема подачи мазута с вязкостью не более 50°E при 50°С



**ВНИМАНИЕ:** Все топливопроводы должны быть оснащены греющим кабелем и изолированы (см. сеч. А-А).

## Ввод в эксплуатацию - Данные конфигурации - Регулировка подачи воздуха

Maxflam 30 AB											
Расход кВт		противодавление в камере сгорания mbar		Расход кг/ч		ФОРСУНКА 60°НО		Давление топливного насоса (бар)	РЕГУЛИРОВКА ВКА ОГНЕВОЙ ГОЛОВКИ	РЕГУЛИРОВКА РАСХОДА ВОЗДУХА	
1° этапе	2° этапе	1° этапе	2° этапе	1° этапе	2° этапе	1° этапе	2° этапе			1° этапе	2° этапе
205	274	1,6	3,3	18	24	3,00	1,00	23	1	18°	30°
<b>239</b>	<b>331</b>	<b>1,3</b>	<b>3,7</b>	<b>21</b>	<b>29</b>	<b>3,50</b>	<b>1,50</b>	<b>23</b>	<b>2</b>	<b>20°</b>	<b>40°</b>
274	388	1	4	24	34	4,00	2,00	23	3	20°	60°

Maxflam 50 AB											
Расход кВт		противодавление в камере сгорания mbar		Расход кг/ч		ФОРСУНКА 60°НО		Давление топливного насоса (бар)	РЕГУЛИРОВКА ВКА ОГНЕВОЙ ГОЛОВКИ	РЕГУЛИРОВКА РАСХОДА ВОЗДУХА	
1° этапе	2° этапе	1° этапе	2° этапе	1° этапе	2° этапе	1° этапе	2° этапе			1° этапе	2° этапе
205	296	1,5	3,5	18	26	3,00	1,50	23	1	15°	40°
<b>262</b>	<b>388</b>	<b>1,3</b>	<b>4</b>	<b>23</b>	<b>34</b>	<b>4,00</b>	<b>2,00</b>	<b>22</b>	<b>2</b>	<b>20°</b>	<b>50°</b>
308	479	1,4	4,7	27	42	4,50	2,50	23	3	20°	50°

Указанные выше регулировки – это основные регулировки. С этими установками, обычно, горелка может быть введена в эксплуатацию. Регулировка должна быть проверена с

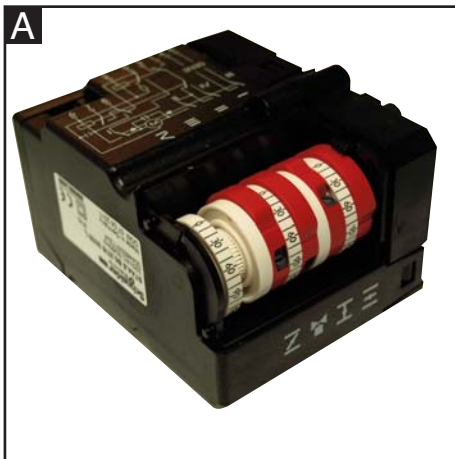
использованием анализатора сгорания. Могут стать необходимыми корректировки, подчиняющиеся отдельной установке. Благоприятных значений показателей

сгорания можно достичь посредством использования следующих форсунок :

DANFOSS H+S 80°+60°

DELANAN W 60°

STEINEN S 60°

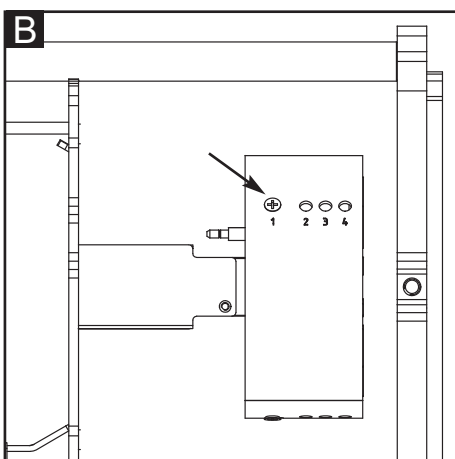


### Регулировка подачи воздуха (А).

Демонтируйте крышку корпуса для доступа к регуляторам. Регулирование кулачков производится с и отвертки. указаниями :

- I - Ограничительный переключатель для установки воздушной заслонки в положение HIGH FLAME (Максимальная мощность).
- II - Данный регулятор позволяет закрывать воздушную заслонку (0°).
- III - Дополнительный регулятор для перевода горелки на вторую ступень (HIGH FLAME).
- IV - Ограничительный переключатель для установки воздушной заслонки в положение LOW FLAME.

**ПРИМЕЧАНИЕ:** Регулятор III (позволяет открывать электромагнитный клапан 2-ой ступени) установлен в промежуточное положение (угол приблизительно на 50 больше, чем в режиме низкого пламени).



### Регулировка огневой головки (В).

Снимите горелку с монтажного фланца. При помощи отвертки измените положение полосы (1,2,3,4), как показано на рис. В. Снова установите горелку на монтажный фланец и прикрепите ее к котлу.

## Ввод в эксплуатацию - Регулировка горелки - Регулировка давления дизельного топлива



**Опасность вспышки!** Постоянно контролируйте содержание CO, CO<sub>2</sub> и дымовые выбросы в процессе регулировки. В случае образования CO оптимизируйте значения горения. Содержание CO не должно превышать 50 пропромилле.

### Запуск горелки

Перед запуском горелки заполнить систему труб до заполнения фильтра газойля. Затем, запустите горелку, включив регулятор котла. Для обеспечения полного удаления воздуха из топливопровода во время фазы предварительной вентиляции откройте винт продувки на топливном фильтре. При этом разрежение не должно опускаться ниже 0,4 бар. Когда фильтр полностью заполнится топливом и топливо появится на поверхности без пузырьков воздуха, закройте винт продувки.

### Регулировка мощности горелки

Отрегулировать давление газойля таким образом, что горелка будет иметь желаемую мощность, поворачивая регулятор давления. Всегда проверяйте показатели сгорания (CO, CO<sub>2</sub>, показатель задымленности). При необходимости, измените расход воздуха, пр необходимости увеличив его.

### Оптимизация показателей сгорания

В случае неудовлетворительных значений показателей сгорания изменить положение огневой головки. Таким образом будут изменены поведение при запуске и показатели сгорания. При необходимости компенсирите изменение расхода воздуха, регулируя положение воздушной заслонки.

**Внимание! Соблюдайте минимальную необходимую температуру топочных газов, следуя указаниям производителя котла и принимая во внимание тип вытяжных труб, чтобы избежать эффекта конденсации.**

### Регулирование давления дизельного топлива

Для регулировки давления газойля (и, следовательно, мощности горелки) повернуть регулятор давления 5 насоса.

Поворот:

- вправо: увеличение давления

- влево: уменьшение давления

Для контроля необходимо подключить манометр к подсоединению, манометр 3, резьба R1/8".

### Контроль разрежения

Вакуумметр для контроля разрежения устанавливается в точке измерения 4, резьба R1/8".

Максимальное допустимое разрежение: 0,4 бар. При большем разрежении топливо превращается в газ, что приводит к возникновению треска в насосе и его повреждению.

### РЕГУЛИРОВАНИЕ ТОПЛИВНЫХ ТЕРМОСТАТОВ

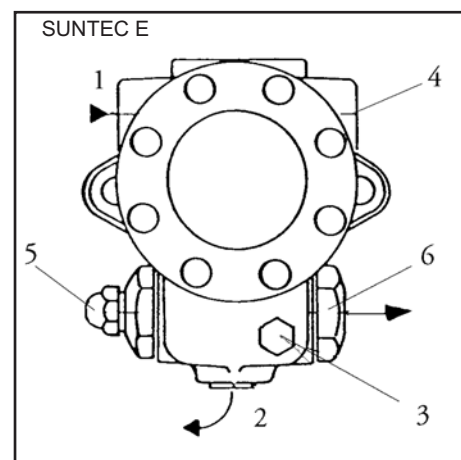
Рабочий термостат нагревательных элементов устанавливается на 100°-140°C, а предохранительный задан. Эти значения могут незначительно изменяться в зависимости от типа

топлива и иных условий эксплуатации.  
A - Рабочий термостат (100°-140° C).  
B - Резервный термостат (150° C).  
C - Увольнение главы термостат (120°-140° C).

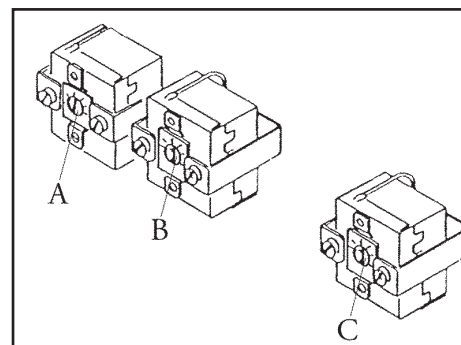
### Контроль работы

Технический контроль безопасного горения должен осуществляться как при первом пуске, так и после проведения ремонта, осмотров или продолжительного простоя оборудования.

- Попытка запуска с перекрытым фотоэлементом детектора пламени: по истечении времени безопасности блок управления и безопасности должен перейти в двигаться аномалия.
- Попытка запуска с освещенным фотоэлементом детектора пламени: после 5-секундной предварительной вентиляции блок управления и безопасности должен перейти в двигаться аномалия.
- Обычный пуск: если горелка работает, перекройте фотоэлемент детектора пламени: после нового запуска по истечении времени безопасности блок управления и безопасности должен перейти в двигаться аномалия.



- 1 Всасывающий штуцер.
- 2 Нагнетательный штуцер.
- 3 Точка подключения манометра (давление топлива).
- 4 Точка подключения манометра (разрежение).
- 5 Регулирование давления дизельного топлива.
- 6 Штуцер давления.



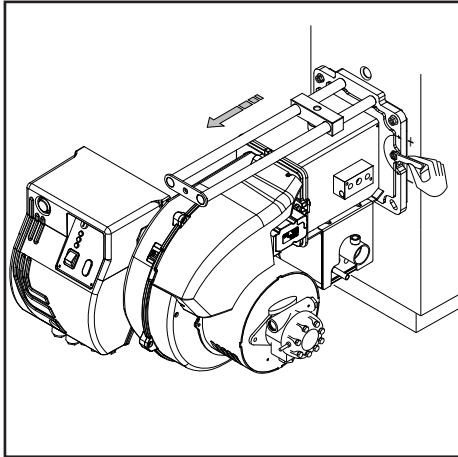
<b>Регистрация данных о вводе в эксплуатацию</b>			
Тест		n°1	n°2
Дата			
Модель			
Тип мазута			
Значение калорийности мазута			
Мощность горелки	min	кВт	
Мощность горелки	max	кВт	
Температура дыма		С°	
Температура воздуха		С°	
CO <sub>2</sub>		%	
CO		ppm	
NOx		ppm	
КПД		%	
Корректирующие действия			
Имя оператора			
Предприятие			

## Техническое - Работы по техническому обслуживанию

**Работы по техническому обслуживанию котла и горелки должны выполняться только специалистом-теплотехником. Для обеспечения регулярного обслуживания пользователю рекомендуется заключить договор на техническое обслуживание.**

### Внимание

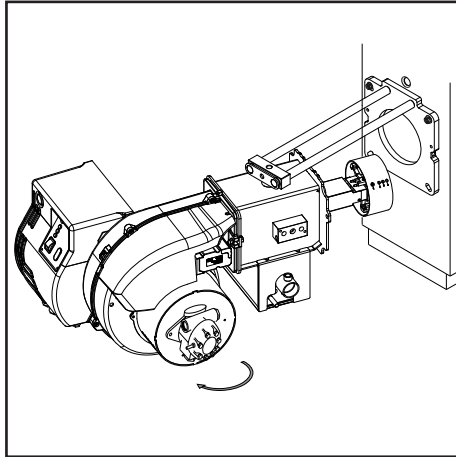
• Перед выполнением любых работ по техническому обслуживанию и очистке отключите электропитание.



• Блокирование и компоненты головки Могут быть горячими.

### Проверка температуры топочных газов

- Регулярно проверяйте температуру дымовых газов.
- Выполняйте очистку котла, если температура продуктов сгорания более чем на 30° С превышает значение температуры, измеренное при пуске горелки в эксплуатацию.
- С целью упрощения контроля установить дисплей для визуализации



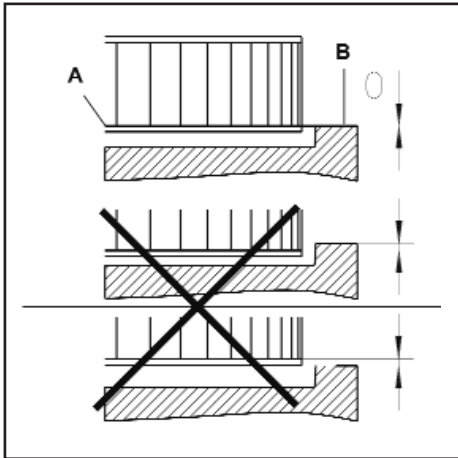
температуры выхлопных дымов.

### Положения техобслуживания

- Ослабив крепежные винты фланца горелки, ее можно извлечь и повернуть в положение обслуживания (как показано на рисунке) для:
  - Замены форсунки
  - Замены и регулировки электродов
  - Чистки/замены диска сгорания
  - Регулировки полосы подачи воздуха

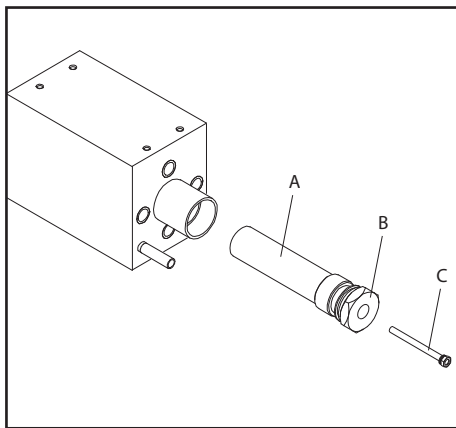
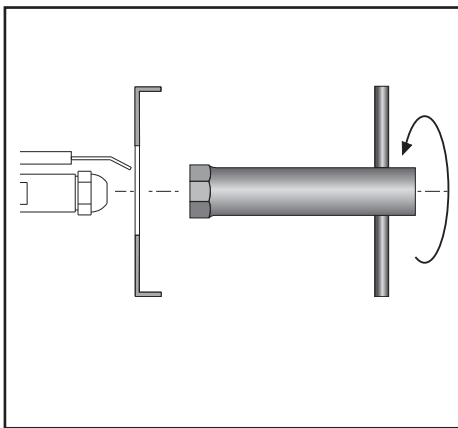
### Положения для технического обслуживания

- Проверьте рабочее колесо вентилятора и корпус и убедитесь, что они не повреждены.
- Проверьте и очистите головку горелки.
- Замените форсунку.
- Проверьте электроды, при необходимости отрегулируйте или замените их.
- Установите головку горения. Проверьте регулировки.
- Установите горелку.
- Запустите горелку, проверьте процесс сгорания и, при необходимости, откорректируйте регулировки горелки.
- Положение для технического обслуживания
  - Все компоненты системы подачи топлива (шланги, насос, трубка соединения с линией форсунки) и их соединения должны быть проверены (герметичность, износ) и, при необходимости, заменены.
  - Проверьте все электрические подключения и кабели, при необходимости замените их.
  - Проверьте состояние фильтра насоса и, при необходимости, очистите его.



### Агрегат вентилятора

При замене электродвигателя или рабочего колеса, сверяйтесь с приведенной напротив схемой установки. Внутренняя сторона А фланца рабочего колеса должна быть на одном уровне с панелью В. Вставьте линейку между лопатками рабочего колеса и приведите элементы А и В к одному уровню. Затянуть винт без головки с надрезом на крыльчатке вентилятора.



### Чистка и замена форсунки

Для демонтажа форсунки пользуйтесь исключительно имеющимся в комплекте ключом. Обратите внимание на то, чтобы не повредить электроды.

Установите новую форсунку, при этом монтаж следует выполнять с максимальной осторожностью. NB: После замены форсунки обязательно проверьте положение электродов (см.

### ОБСЛУЖИВАНИЕ ФИЛЬТРОВ БАЧКА-ПОДОГРЕВАТЕЛЯ

- 1 - Выключите горелку и дождитесь ее остывания.
- 2 - Снимите термометр С.
- 3 - Ослабить винт В и слить из бачка мазут, так чтобы его уровень опустился ниже фильтра
- 4 - Отвинтить и извлечь из посадочного гнезда шток А.
- 5 - После чистки фильтра собрать его как показано на рисунке и вставить в посадочное гнездо.

Напоминаем, что во время работы горелки бачок-подогреватель находится под давлением приблизительно 23 бар, поэтому проводить вышеописанные работы при работающей горелке очень опасно.

рис.). Неправильное положение электродов может затруднить розжиг горелки.

## Техническое - Возможные неполадки

### Причины неисправностей и способы их устранения

При отклонениях от нормы, должны быть проверены нормальные условия для работы горелки:

1. Есть электрический ток?
2. Есть топливо в баке?
3. Все запорные краны открыты?
4. Правильно ли настроены все регулирующие и предохранительные устройства, такие как термореле котла, предохранитель от недостатка воды, электрические концевые выключатели?

В случае, если после контролей в названных точках аномалия

сохранится, пользоваться следующей таблицей.

Ни один из существенных компонентов системы безопасности не должен ремонтироваться; эти компоненты должны заменяться компонентами с таким же обозначением.

### Используйте только оригинальные запасные части.

### ВВ: После проведения любых работ:

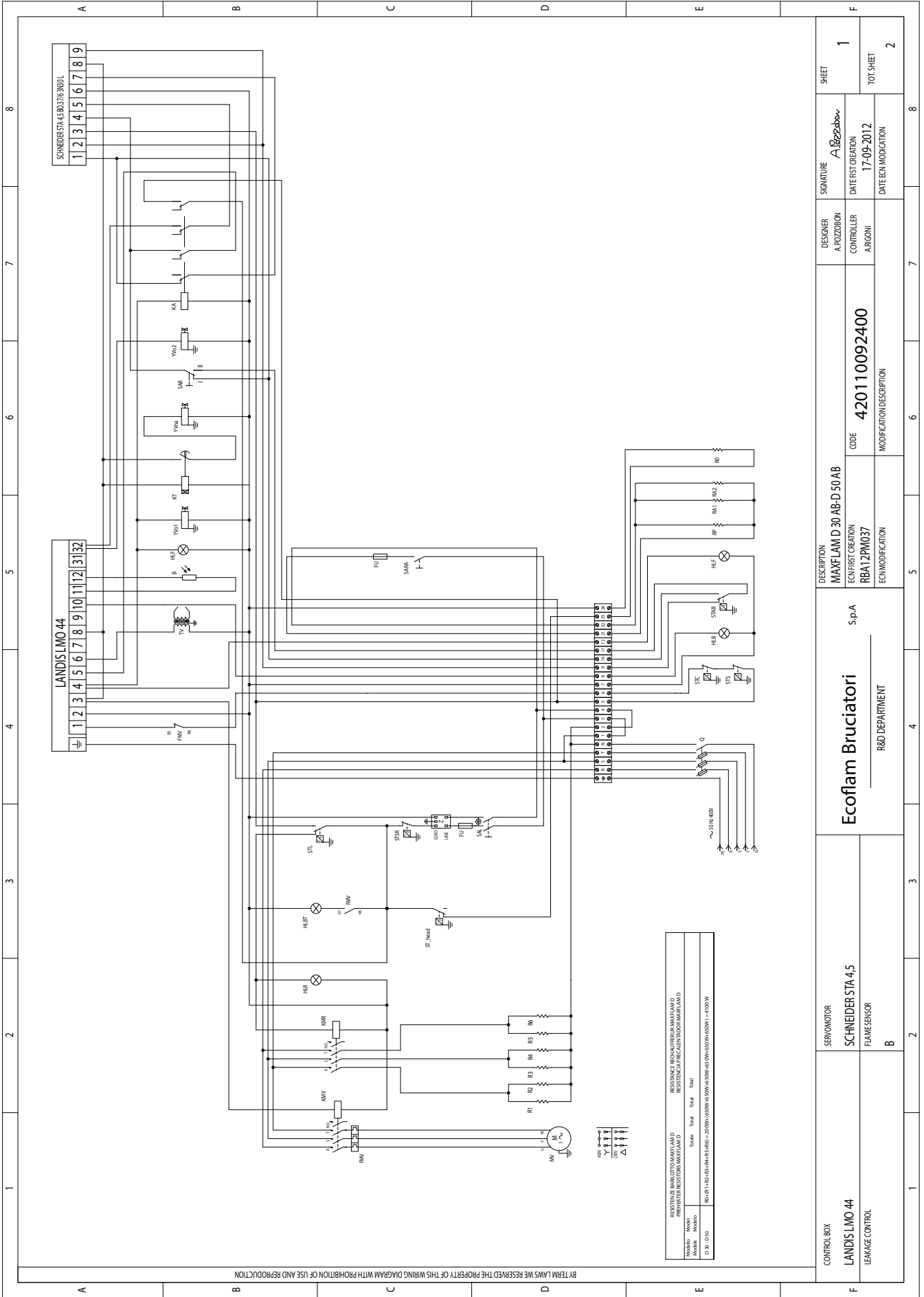
- выполните проверку параметров горения в реальных условиях эксплуатации (дверцы закрыты, крышка

на месте и т. д.).

- отрегулировать параметры сгорания в технических документах станции.

Таблица кода ошибок		
Код красного мигания сигнальной лампы (LED)	«AL» на клм.10	Возможная причина
2 мигания	Вкл	Нет стабилизации пламени в конце «TSA» - неисправные или грязные топлив. клапаны - неисправный или грязный датчик пламени - плохая настройка горелки, нет топлива - неисправная система зажигания
3 мигания	Вкл	Не имеется
4 мигания	Вкл	Посторонний свет при пуске горелки
5 мигания	Вкл	Не имеется
6 мигания	Вкл	Не имеется
7 мигания	Вкл	Частое пропадание пламени во время работы (ограничение количества повторений) - неисправные или грязные топлив. клапаны. - неисправный или грязный датчик пламени - плохая настройка горелки.
8 мигания	Вкл	Время контроля жидкотоплив.подогревателя. - жидкотопливный подогреватель отказал 5 раз во время предпродувки
9 мигания	Вкл	Не имеется
10 мигания	off Вкл	Ошибка в разводке проводов или внутренняя ошибка, контакты вывода, другие отказы 3-х кратный временной отказ контактов вывода

Overview - Electric diagrams / Panoramica - Schemi elettrici / Vue d'ensemble - Schémas électrique / Descripción - Esquemas eléctrico /  
Обзор - Электрические схемы



CONTROL BOX	SERVO MOTOR	DESCRIPTION	DESIGNER	SIGNATURE	SHEET
LANDIS LMO 44	SCHNEIDER STA 4.5	MAXELAM D 30 AB-D 50 AB	A. POZZORON	A. Pozzoron	1
LEAKAGE CONTROL	FLAME SENSOR	ECN FIRST CREATION	CONTROLLER	DATE FIRST CREATION	TOT. SHEET
	B	RBA12PM037	ARBIGNI	17-09-2012	2
		ECN MODIFICATION	MODIFICATION DESCRIPTION	DATE IN MODIFICATION	

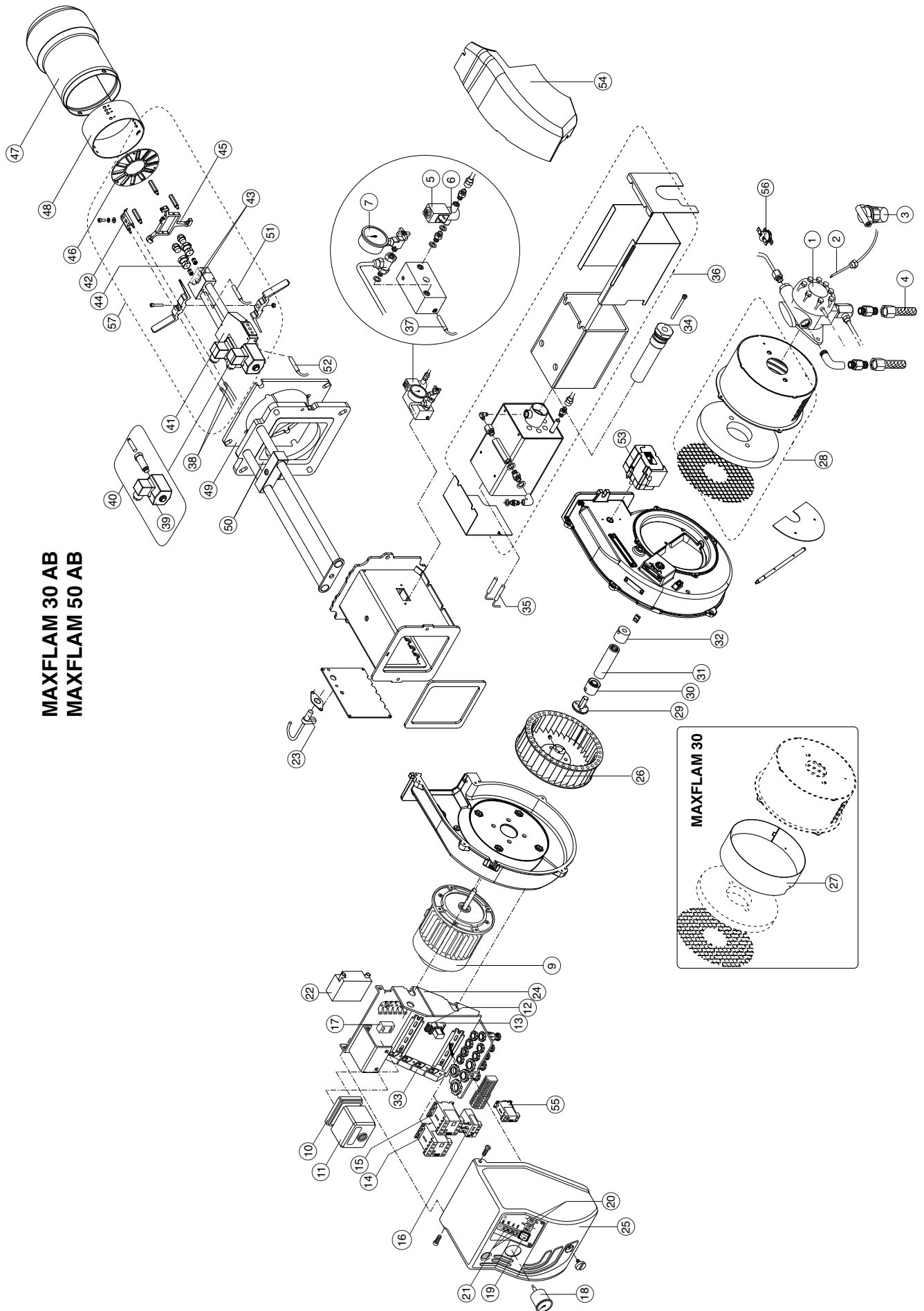
Overview - Electric diagrams / Panoramica - Schemi elettrici / Vue d'ensemble - Schémas électrique / Descripción - Esquemas eléctrico /  
Обзор - Электрические схемы

1		2		3		4		5		6		7		8																																																																									
BY TERM LAWS WE RESERVE THE PROPERTY OF THIS WIRING DIAGRAM WITH PROHIBITION OF USE AND REPRODUCTION																																																																																							
<table border="1"> <tr> <td>B</td> <td>FOTORESISTENZA PHOTO-RESISTOR PHOTO-RESISTANCE FOTORESISTENCIA</td> <td>STAB</td> <td>TERMOSTATO DI ALTA-BASSA FIAMMA HIGH-LOW FLAME THERMOSTAT THERMOSTAT GRANDE-PETITE ALLURE THERMOSTATO DE ALTA-BAJA LLAMA</td> </tr> <tr> <td>Q</td> <td>INTERRUTTORE GENERALE CON FUSIBILE MAIN SWITCH WITH FUSE GENERAL CIRCUIT BREAKER INTERRUPTOR GENERAL CON FUSIBLE</td> <td>STC</td> <td>TERMOSTATO CALDAIA BOILER THERMOSTAT THERMOSTAT CHAUFFEURE THERMOSTATO CALDERA</td> </tr> <tr> <td>Z</td> <td>FILTRO ANTIDISTURBO ANTI-FLAMMING FILTER FILTRE ANTIPARASITES FILTRO DE PROTECCION ANTI-DISTURBIO</td> <td>STS</td> <td>TERMOSTATO DI SICUREZZA SAFETY THERMOSTAT THERMOSTAT DE SECURITE THERMOSTATO DE SEGURIDAD</td> </tr> <tr> <td>FU</td> <td>FUSIBILE FUSE FUSIBLE FUSIBLE</td> <td>Y1/a</td> <td>ELETTROVALVOLA NORMALMENTE APERTA NORMALLY OPEN SOLENOID VALVE ELECTROVANNE NORMALEMENT AUVERT ELECTROVALVULA NORMALMENTE ABIERTA</td> </tr> <tr> <td>KMR</td> <td>CONVANTORE RESISTENZE RESISTOR REMOTE CONTROL SWITCH TELEINTÉRIEUR RESISTANCES TELEINTERRUPTOR RESISTENCIAS</td> <td>Y1/b1</td> <td>ELETTROVALVOLA OLIO DI PRIMA FIAMMA FIRST STAGE HEAVY OIL SOLENOID VALVE ELECTROVANNE 1° ALLURE ELECTROVALVULA FUEL PESADO DE 1ª LLAMA</td> </tr> <tr> <td>MV</td> <td>MOTORE VENTILATORE MOTOR FAN MOTEUR VENTILATEUR MOTOR VENTILADOR</td> <td>SARA</td> <td>INTERRUTTORE RESISTENZE AUSILIARIE AUXILIARY SWITCHES RESISTANCES AUXILIARIES INTERRUPTOR RESISTENCIA AUXILIAR</td> </tr> <tr> <td>RA1</td> <td>RESISTENZA AUSILIARIA AUXILIARY RESISTOR RESISTANCE AUXILIAIRE RESISTENCIA AUXILIARIA</td> <td>KT</td> <td>TEMPORIZZATORE TIMER TEMPORISSEUR TEMPORIZADOR</td> </tr> <tr> <td>RP</td> <td>RESISTENZA POMPA PUMP RESISTOR RESISTANCE POMPE RESISTENCIA BOMBA</td> <td>ST</td> <td>TERMOSTATO THERMOSTAT THERMOSTAT THERMOSTATO</td> </tr> <tr> <td>TV</td> <td>TRASFORMATORE IGNITION TRANSFORMER TRANSFORMATEUR ALLUMAGE TRANSFORMADOR</td> <td>STSR</td> <td>TERMOSTATO DI SICUREZZA RESISTENZE RESISTOR SAFETY THERMOSTAT THERMOSTAT DE SECURITE RESISTANCES THERMOSTATO DE SEGURIDAD RESISTENCIAS</td> </tr> <tr> <td>R0</td> <td>RESISTENZA DELLA TESTA DI COMBUSTIONE FIDING HEAD AUXILIARY RESISTOR RESISTENZA AUSILIARE TÊTE DE COMBUSTION RESISTENCIA AUXILIAR CABEZA DE COMBUSTION</td> <td>FMV</td> <td>RELE TERMICO MOTORE VENTILATORE MOTOR THERMAL RELAY (FAN MOTOR) RELAIS THERMIQUE MOTEUR VENTILATEUR RELE TERMICO MOTOR VENTILADOR</td> </tr> <tr> <td>R1</td> <td>RESISTENZA DI LAVORO WORKING RESISTOR</td> <td>KA</td> <td>RELE RELAY RELAIS RELE</td> </tr> <tr> <td>R2</td> <td>RESISTENZA DI TRAVAIL WORKING RESISTOR</td> <td>Y1/b2</td> <td>ELETTROVALVOLA OLIO DI SECONDA FIAMMA SECOND STAGE HEAVY OIL SOLENOID VALVE ELECTROVANNE 2° ALLURE ELECTROVALVULA FUEL PESADO DE 2ª LLAMA</td> </tr> <tr> <td>R3</td> <td>RESISTENZA DE TRABAJO WORKING RESISTOR</td> <td>SAB</td> <td>INTERRUTTORE ALTA-BASSA FIAMMA HIGH-LOW SWITCH INTERRUPTOR GRANDE-PETITE ALLURE INTERRUPTOR DE ALTA-BAJA LLAMA</td> </tr> <tr> <td>HLF</td> <td>LAMPADA DI FUNZIONAMENTO WORKING LAMP LAMP DE FONCTIONNEMENT ESPA DE FUNCIONAMIENTO</td> <td>HLBT</td> <td>LAMPADA DI BLOCCO TERMICO THERMAL LOCK-OUT LAMP LAMPE DE THERMAL DE SECURITE ESPA DE BLOQUEO RELE TERMICO</td> </tr> <tr> <td>HLR</td> <td>LAMPADA RESISTENZE RESISTOR LAMP THERMION RESISTENCES INDICADOR RESISTENCIAS</td> <td></td> <td></td> </tr> <tr> <td>KWV</td> <td>CONVANTORE MOTORE VENTILATORE REMOTE CONTROL SWITCH (FAN MOTOR) CONVACTEUR MOTEUR VENTILATEUR TELEINTERRUPTOR MOTOR VENTILATOR</td> <td></td> <td></td> </tr> <tr> <td>SAL</td> <td>INTERRUTTORE DI LINEA WORKING SWITCH INTERRUPTEUR DE LIGNE INTERRUPTOR DE LINEA</td> <td></td> <td></td> </tr> <tr> <td>STL</td> <td>TERMOSTATO DI LAVORO WORKING THERMOSTAT THERMOSTAT TRAVAIL THERMOSTATO DE TRABAJO</td> <td></td> <td></td> </tr> </table>																B	FOTORESISTENZA PHOTO-RESISTOR PHOTO-RESISTANCE FOTORESISTENCIA	STAB	TERMOSTATO DI ALTA-BASSA FIAMMA HIGH-LOW FLAME THERMOSTAT THERMOSTAT GRANDE-PETITE ALLURE THERMOSTATO DE ALTA-BAJA LLAMA	Q	INTERRUTTORE GENERALE CON FUSIBILE MAIN SWITCH WITH FUSE GENERAL CIRCUIT BREAKER INTERRUPTOR GENERAL CON FUSIBLE	STC	TERMOSTATO CALDAIA BOILER THERMOSTAT THERMOSTAT CHAUFFEURE THERMOSTATO CALDERA	Z	FILTRO ANTIDISTURBO ANTI-FLAMMING FILTER FILTRE ANTIPARASITES FILTRO DE PROTECCION ANTI-DISTURBIO	STS	TERMOSTATO DI SICUREZZA SAFETY THERMOSTAT THERMOSTAT DE SECURITE THERMOSTATO DE SEGURIDAD	FU	FUSIBILE FUSE FUSIBLE FUSIBLE	Y1/a	ELETTROVALVOLA NORMALMENTE APERTA NORMALLY OPEN SOLENOID VALVE ELECTROVANNE NORMALEMENT AUVERT ELECTROVALVULA NORMALMENTE ABIERTA	KMR	CONVANTORE RESISTENZE RESISTOR REMOTE CONTROL SWITCH TELEINTÉRIEUR RESISTANCES TELEINTERRUPTOR RESISTENCIAS	Y1/b1	ELETTROVALVOLA OLIO DI PRIMA FIAMMA FIRST STAGE HEAVY OIL SOLENOID VALVE ELECTROVANNE 1° ALLURE ELECTROVALVULA FUEL PESADO DE 1ª LLAMA	MV	MOTORE VENTILATORE MOTOR FAN MOTEUR VENTILATEUR MOTOR VENTILADOR	SARA	INTERRUTTORE RESISTENZE AUSILIARIE AUXILIARY SWITCHES RESISTANCES AUXILIARIES INTERRUPTOR RESISTENCIA AUXILIAR	RA1	RESISTENZA AUSILIARIA AUXILIARY RESISTOR RESISTANCE AUXILIAIRE RESISTENCIA AUXILIARIA	KT	TEMPORIZZATORE TIMER TEMPORISSEUR TEMPORIZADOR	RP	RESISTENZA POMPA PUMP RESISTOR RESISTANCE POMPE RESISTENCIA BOMBA	ST	TERMOSTATO THERMOSTAT THERMOSTAT THERMOSTATO	TV	TRASFORMATORE IGNITION TRANSFORMER TRANSFORMATEUR ALLUMAGE TRANSFORMADOR	STSR	TERMOSTATO DI SICUREZZA RESISTENZE RESISTOR SAFETY THERMOSTAT THERMOSTAT DE SECURITE RESISTANCES THERMOSTATO DE SEGURIDAD RESISTENCIAS	R0	RESISTENZA DELLA TESTA DI COMBUSTIONE FIDING HEAD AUXILIARY RESISTOR RESISTENZA AUSILIARE TÊTE DE COMBUSTION RESISTENCIA AUXILIAR CABEZA DE COMBUSTION	FMV	RELE TERMICO MOTORE VENTILATORE MOTOR THERMAL RELAY (FAN MOTOR) RELAIS THERMIQUE MOTEUR VENTILATEUR RELE TERMICO MOTOR VENTILADOR	R1	RESISTENZA DI LAVORO WORKING RESISTOR	KA	RELE RELAY RELAIS RELE	R2	RESISTENZA DI TRAVAIL WORKING RESISTOR	Y1/b2	ELETTROVALVOLA OLIO DI SECONDA FIAMMA SECOND STAGE HEAVY OIL SOLENOID VALVE ELECTROVANNE 2° ALLURE ELECTROVALVULA FUEL PESADO DE 2ª LLAMA	R3	RESISTENZA DE TRABAJO WORKING RESISTOR	SAB	INTERRUTTORE ALTA-BASSA FIAMMA HIGH-LOW SWITCH INTERRUPTOR GRANDE-PETITE ALLURE INTERRUPTOR DE ALTA-BAJA LLAMA	HLF	LAMPADA DI FUNZIONAMENTO WORKING LAMP LAMP DE FONCTIONNEMENT ESPA DE FUNCIONAMIENTO	HLBT	LAMPADA DI BLOCCO TERMICO THERMAL LOCK-OUT LAMP LAMPE DE THERMAL DE SECURITE ESPA DE BLOQUEO RELE TERMICO	HLR	LAMPADA RESISTENZE RESISTOR LAMP THERMION RESISTENCES INDICADOR RESISTENCIAS			KWV	CONVANTORE MOTORE VENTILATORE REMOTE CONTROL SWITCH (FAN MOTOR) CONVACTEUR MOTEUR VENTILATEUR TELEINTERRUPTOR MOTOR VENTILATOR			SAL	INTERRUTTORE DI LINEA WORKING SWITCH INTERRUPTEUR DE LIGNE INTERRUPTOR DE LINEA			STL	TERMOSTATO DI LAVORO WORKING THERMOSTAT THERMOSTAT TRAVAIL THERMOSTATO DE TRABAJO		
B	FOTORESISTENZA PHOTO-RESISTOR PHOTO-RESISTANCE FOTORESISTENCIA	STAB	TERMOSTATO DI ALTA-BASSA FIAMMA HIGH-LOW FLAME THERMOSTAT THERMOSTAT GRANDE-PETITE ALLURE THERMOSTATO DE ALTA-BAJA LLAMA																																																																																				
Q	INTERRUTTORE GENERALE CON FUSIBILE MAIN SWITCH WITH FUSE GENERAL CIRCUIT BREAKER INTERRUPTOR GENERAL CON FUSIBLE	STC	TERMOSTATO CALDAIA BOILER THERMOSTAT THERMOSTAT CHAUFFEURE THERMOSTATO CALDERA																																																																																				
Z	FILTRO ANTIDISTURBO ANTI-FLAMMING FILTER FILTRE ANTIPARASITES FILTRO DE PROTECCION ANTI-DISTURBIO	STS	TERMOSTATO DI SICUREZZA SAFETY THERMOSTAT THERMOSTAT DE SECURITE THERMOSTATO DE SEGURIDAD																																																																																				
FU	FUSIBILE FUSE FUSIBLE FUSIBLE	Y1/a	ELETTROVALVOLA NORMALMENTE APERTA NORMALLY OPEN SOLENOID VALVE ELECTROVANNE NORMALEMENT AUVERT ELECTROVALVULA NORMALMENTE ABIERTA																																																																																				
KMR	CONVANTORE RESISTENZE RESISTOR REMOTE CONTROL SWITCH TELEINTÉRIEUR RESISTANCES TELEINTERRUPTOR RESISTENCIAS	Y1/b1	ELETTROVALVOLA OLIO DI PRIMA FIAMMA FIRST STAGE HEAVY OIL SOLENOID VALVE ELECTROVANNE 1° ALLURE ELECTROVALVULA FUEL PESADO DE 1ª LLAMA																																																																																				
MV	MOTORE VENTILATORE MOTOR FAN MOTEUR VENTILATEUR MOTOR VENTILADOR	SARA	INTERRUTTORE RESISTENZE AUSILIARIE AUXILIARY SWITCHES RESISTANCES AUXILIARIES INTERRUPTOR RESISTENCIA AUXILIAR																																																																																				
RA1	RESISTENZA AUSILIARIA AUXILIARY RESISTOR RESISTANCE AUXILIAIRE RESISTENCIA AUXILIARIA	KT	TEMPORIZZATORE TIMER TEMPORISSEUR TEMPORIZADOR																																																																																				
RP	RESISTENZA POMPA PUMP RESISTOR RESISTANCE POMPE RESISTENCIA BOMBA	ST	TERMOSTATO THERMOSTAT THERMOSTAT THERMOSTATO																																																																																				
TV	TRASFORMATORE IGNITION TRANSFORMER TRANSFORMATEUR ALLUMAGE TRANSFORMADOR	STSR	TERMOSTATO DI SICUREZZA RESISTENZE RESISTOR SAFETY THERMOSTAT THERMOSTAT DE SECURITE RESISTANCES THERMOSTATO DE SEGURIDAD RESISTENCIAS																																																																																				
R0	RESISTENZA DELLA TESTA DI COMBUSTIONE FIDING HEAD AUXILIARY RESISTOR RESISTENZA AUSILIARE TÊTE DE COMBUSTION RESISTENCIA AUXILIAR CABEZA DE COMBUSTION	FMV	RELE TERMICO MOTORE VENTILATORE MOTOR THERMAL RELAY (FAN MOTOR) RELAIS THERMIQUE MOTEUR VENTILATEUR RELE TERMICO MOTOR VENTILADOR																																																																																				
R1	RESISTENZA DI LAVORO WORKING RESISTOR	KA	RELE RELAY RELAIS RELE																																																																																				
R2	RESISTENZA DI TRAVAIL WORKING RESISTOR	Y1/b2	ELETTROVALVOLA OLIO DI SECONDA FIAMMA SECOND STAGE HEAVY OIL SOLENOID VALVE ELECTROVANNE 2° ALLURE ELECTROVALVULA FUEL PESADO DE 2ª LLAMA																																																																																				
R3	RESISTENZA DE TRABAJO WORKING RESISTOR	SAB	INTERRUTTORE ALTA-BASSA FIAMMA HIGH-LOW SWITCH INTERRUPTOR GRANDE-PETITE ALLURE INTERRUPTOR DE ALTA-BAJA LLAMA																																																																																				
HLF	LAMPADA DI FUNZIONAMENTO WORKING LAMP LAMP DE FONCTIONNEMENT ESPA DE FUNCIONAMIENTO	HLBT	LAMPADA DI BLOCCO TERMICO THERMAL LOCK-OUT LAMP LAMPE DE THERMAL DE SECURITE ESPA DE BLOQUEO RELE TERMICO																																																																																				
HLR	LAMPADA RESISTENZE RESISTOR LAMP THERMION RESISTENCES INDICADOR RESISTENCIAS																																																																																						
KWV	CONVANTORE MOTORE VENTILATORE REMOTE CONTROL SWITCH (FAN MOTOR) CONVACTEUR MOTEUR VENTILATEUR TELEINTERRUPTOR MOTOR VENTILATOR																																																																																						
SAL	INTERRUTTORE DI LINEA WORKING SWITCH INTERRUPTEUR DE LIGNE INTERRUPTOR DE LINEA																																																																																						
STL	TERMOSTATO DI LAVORO WORKING THERMOSTAT THERMOSTAT TRAVAIL THERMOSTATO DE TRABAJO																																																																																						
CONTROL BOX LANDIS LMO 44 LEAKAGE CONTROL		SERVOMOTOR SCHNEIDER STA 4,5 FLAME SENSOR B		Ecoflam Bruciatori S.p.A. R&D DEPARTMENT		DESCRIPTION MAXIFLAM D 30 AB-D 50 AB ECON FIRST CREATION RBA12PM037 ECON MODIFICATION		CODE 420110092400 MODIFICATION DESCRIPTION		DESIGNER A. RIZZORONI CONTROLLER A. RIGONI		SIGNATURE A. Rizzoroni		SHEET 2 TOT. SHEET 2																																																																									



Overview - Spare parts list / Panoramica - Parti di ricambio / Vue d'ensemble - Pièces de rechange / Descripción - Piezas de recambio /  
Обзор - Запчасти

**MAXFLAM 30 AB**  
**MAXFLAM 50 AB**



Overview - Spare parts list / Panoramica - Parti di ricambio / Vue d'ensemble - Pièces de rechange / Descripción - Piezas de recambio /  
Обзор - Запчасти

N° DESCRIPTION	DESCRIZIONE	DESIGNATION	code	code
1 PUMP	POMPA	SUNTEC E 4NC 10695	65322954	MAXFLAM 30 AB
2 HEATING ELEMENT PUMP	RESISTENZA	50 W	65323072	65322954
3 FILTER	FILTRO	70104-03	65324806	-
4 HOSES	FLESSIBILI	70501703 GR	65324103	-
5 COIL	BOBINA	TN18X1500	65323182	-
6 VALVE	ELETTROVALVOLA	Parker JB18	65323781	-
7 MANOMETER	MANOMETRO	Parker SCEM120 BAR JB18	65323628	-
8 CAPACITOR	CONDENSATORE	CEWAL R1/4 D	65324105	-
9 MOTOR	MOTORE	740 W	65322834	-
		1100 W	-	-
10 CONTROL BOX BASE	ZOCOLO	SOCLE DE COFFRET	65320992	65325323
11 CONTROL BOX	APPARECCHIATURA DI CONTROLLO	SIEMENS	65320092	65320092
12 RELAY BASE	ZOCOLO RELE'	SIEMENS LMO44.255C2	65320024	65320024
13 RELAY	RELE'	9474SMA (R.5534)	65323150	65323150
14 REMOTE CONTROL SWITCH	CONTATTORE RESISTENZE	FINDER 5534	65323140	65323140
15 REMOTE CONTROL SWITCH MOTOR	CONTATTORE MOTORE	AEG LS05.10	65323132	65323132
16 MOTOR THERMAL RELAY	RELE' TERMICO MOTORE	AEG LS05.10	65323132	65323132
		AEG 2.2-3.2A	65323122	-
		LOVATO RF9 3-5A	-	65323100
17 AIR DAMPING FILTER	FILTRO ANTIDISTURBO	FILTRE ANTIPARASITE	65323170	65323170
18 THERMOMETER	TERMOMETRO	IMIT 0-200	65323093	65323093
19 MAIN SWITCH	INTERRUTTORE BIPOLARE CON LED VERDE	INTERRUPTEUR DE LIGNE	65323064	65323064
20 SWITCH	DEVIATORE	cod.4010011509	65323065	65323065
21 LAMP	LAMPADA	ELJN-SC4 Electrospring	65323065	65323065
22 IGNITION TRANSFORMER	TRASFORMATORE	ELJN-SC4 Electrospring	65322053	65322053
23 PHOTORESISTOR	FOTORESISTENZA	CELLULE	65323235	65323235
24 BOX SUPPORT	SUPPORTO CASSETTA	SIEMENS QRB1A-A060B70A2	65320076	65320076
25 BOX	CASSETTA	SUPPORTO BOITIER	65325198	65325198
26 FAN	VENTOLA	BOTTIER	65320477	65320477
27 AIR WAISTBAND	FASCIA	TURBINE	65325272	65325272
28 COVER AIR INLET	CASSETTO	CEINTURE AIR	65325445	-
29 COUPLING FAN HUB	GIUNTO PER MOZZO VENTOLA	BOITE D'AIR	65325281	65325282
30 COUPLING (FAN)	GIUNTO VENTOLA	JOINT POUR MOYEU VENTILATEUR	65325308	65325308
31 COUPLING	GIUNTO GOMMA	JOINT DU VENTILATEUR	65324205	65324205
32 COUPLING (PUMP)	GIUNTO POMPA	JOINT DE CAOUTCHOUC	65324200	65324200
33 THERMOSTAT	TERMOSTATO	JOINT DE LA POMPE	65324204	65324204
34 FILTER	FILTRO	TERMOSTAT	65323147	65323147
35 HEATER	RESISTENZE	FILTRE	65325059	65325059
36 OIL TANK	BARIOTTO	FAG 900025	65324206	65324206
37 HEATER	RESISTENZE	RECHAUFFAGE	65325283	65325283
38 CABLE	CAVO	RESISTANCES	65323072	65323072
39 COIL	BOBINA	CABLE	65324863	65324863
40 OIL VALVE	ELETTROVALVOLA	BOBINE	65323781	65323781
41 FIRING HEAD	TESTA DI COMBUSTIONE	YANNE	65323629	65323629
		Parker SCEM120 8AR JB	65325890	65325890
42 ELECTRODES	ELETTRODI	TE TE DE COMBUSTION	65325952	65325952
43 ROD NOZZLE HOLDER	GRUPPO ASTA SPILLO	ELECTRODE D'ALLUMAGE	65325284	65325284
44 NOZZLE HOLDER	SUPPORTO UGELLO	TIGE PORTE GICLÉUR	65325285	65325285
45 DIFFUSER HOLDER	GROCIERA DIFFUSORE	PORTIE GICLÉUR	65073960	65073960
46 DIFFUSER	DIFFUSORE	DIFFUSER HOLDER	65325892	65325892
47 BLAST TUBE	BOCCAGLIO	DEFLECTEUR	65325949	65325949
		GUEULARD	65325948	65325948
48 AIR CYLINDER	FASCIA	VERIN AIR	65325951	65325951
49 GASKET	GUARNIZIONE	JOINT	65325316	65325316
50 GASKET	GUARNIZIONE	JOINT	65324701	65324701
51 IN FRONT OF HEAD HEATER	RESISTENZA TESTA DAVANTI	IN FRONT OF HEAD HEATER	65325317	65325317
52 BEHIND HEAD HEATER	RESISTENZA TESTA DIETRO	BEHIND HEAD HEATER	65324208	65324208
53 AIR DAMPER MOTOR	MOTORIDUTTORE	SERVOMOTEUR	65324207	65324207
54 COVER	COPRICHIO	COUVERGLE	65325269	65325269
55 TIMER	TEMPORIZZATORE	TEMPORISATEUR	65325268	65325268
56 THERMOSTAT	TERMOSTATO	TEMPORISATEUR	65325897	65325897
57 INNER ASSEMBLY	GRUPPO TESTA	TERMOSTAT	65325309	65325309
		2455RC-9098-506	65325968	65325970
		TC	65325969	65325971
		TL	-	-

TC = Testa corta / Short Head / Tête courte / Cabeza corta / КОРОТКАЯ ОГНЕВАЯ ГОЛОВКА TL = Testa lunga / Long Head / Tête longue / Cabeza larga / ДЛИННАЯ ОГНЕВАЯ ГОЛОВКА

## Overview - Spare parts list / Panoramica - Parti di ricambio / Vue d'ensemble - Pièces de rechange / Descripción - Piezas de recambio / Обзор - Запчасти

N° DESCRIPCIÓN	НАИМЕНОВАНИЕ	MAX-FLAM 30 AB code	MAX-FLAM 50 AB code
1 BOMBA	НАСОС	65322954	65322954
2 RESISTENCIAS	НАГРЕВАТЕЛЬНЫЙ ЭЛЕМЕНТ	SUNITEC E 4NC-10695 50 W	65323072
3 FILTRO	ФИЛЬТР	70104-03	65324806
4 LATIGUILLOS	ГИБКИЕ ШЛАНГИ	70601/03 GR	65324103
5 BOBINA	КАТУШКА	TN 18X1500	65323182
6 VALVULA	ЭЛЕКТРОКЛАПАН	Parker JB 18	65323781
7 MANOMETRO	МАНОМЕТР	Parker SCEM 120 8AR JB 18	65323628
8 CAPACITOR	КОНДЕНСАТОР	CEWAL R1/4 D	65324105
9 MOTOR	ДВИГАТЕЛЬ	740 W	-
		1100 W	65322834
10 BASE DEL EQUIPO	МОНТАЖНАЯ ПЛАСТИНА АППАРАТУРЫ УПРАВЛЕНИЯ	SIEMENS	65325323
11 EQUIPO CONTROL LLAMA	КОНТРОЛЬНАЯ АППАРАТУРА	SIEMENS LMO44 255C2	65320092
12 BASE DEL RELE	МОНТАЖНАЯ ПЛАСТИНА РЕЛЕ	9474SMA (R.5534)	65320024
13 RELE	РЕЛЕ	FINDER 5534	65323150
14 CONTACTOR RESISTENCIAS	ПУСКАТЕЛЬ ТЭНов	AEG LS05.10	65323140
15 EMPALME MOTOR VENTILADOR	ПУСКАТЕЛЬ ВВРАВНИВАЮЩИХ ТЭНов	AEG LS05.10	65323132
16 RELE TERMICO MOTOR	ТЕПЛОВОЕ РЕЛЕ ДВИГАТЕЛЯ	AEG 2-3.2A	65323132
		LOVATO RF9 3-SA	65323100
17 FILTRO ANTI-TRASORNO	ФИЛЬТР ПОДАВЛЕНИЯ ПОМЕХ	65323170	65323170
18 TERMOMETRO	ТЕРМОМЕТР	IMT 0-200	65323093
19 INTERRUPTOR DE LINEA	ВЫКЛЮЧАТЕЛЬ 2-ПОЗИЦИОННЫЙ С СВЕТОДИОДОМ ЗЕЛ. ЦВЕТА	cod.4010011509	65323064
20 INTERRUPTOR	ПЕРЕКЛЮЧАТЕЛЬ РЕЖИМОВ МОЩНОСТИ	cod.3600000001	65323065
21 ESPIA	ИНДИКАТОРНАЯ ЛАМПОЧКА	EL/N-SCA Electrospring	65322053
22 TRANSFORMADOR	ТРАНСФОРМАТОР	65323235	65323235
23 FOTORESISTENCIA	ФОТОРЕЗИСТОР	65320076	65320076
24 SOPORTE CAJETIN	ОПОРА КОРОВКИ	65325198	65325198
25 CAJETIN	КОРОБКА	65320477	65320477
26 VENTILADOR	РАБОЧЕЕ КОЛЕСО ВЕНТИЛЯТОРА	200X80	65325272
27 BANDA AIRE	ПОЛОСА	65325545	-
28 CIERRE EN ASPIRACION	ВОЗДУХОЗАБОР	65325282	65325282
29 ACORPLAMIENTO DE EJE VENTILADOR	МУФТА ДЛЯ СТУПИЦЫ ВЕНТИЛЯТОРА	65325308	65325308
30 ACORPLAMIENTO VENTILADOR	ВОЗДУХОЗАБОР	65324205	65324205
31 ACORPLAMIENTO BOMBA	МУФТА РАБОЧЕГО КОЛЕСА ВЕНТИЛЯТОРА	65324200	65324200
32 ACORPLAMIENTO BOMBA	ПРОМЕЖУТОЧНАЯ МУФТА	65324204	65324204
33 TERMOSTATO	ТЕРМОСТАТ	IMT TR2 40/200	65323147
34 FILTRO	ФИЛЬТР	FAG 90025	65325059
35 RESISTENCIAS	НАГРЕВАТЕЛЬНЫЕ ЭЛЕМЕНТЫ	65324206	65324206
36 PRECALENTADOR	БАЧОК-ПОДОГРЕВАТЕЛЬ	65325283	65325283
37 RESISTENCIAS	НАГРЕВАТЕЛЬНЫЙ ЭЛЕМЕНТ	65323072	65323072
38 CABLE	ПРОВОД	65324863	65324863
39 BOBINA	КАТУШКА	Parker JB 18	65323781
40 VALVULA	ЭЛЕКТРОКЛАПАН	Parker SCEM 120 8AR JB	65323629
41 CABEZA DE COMBUSTION	ОГНЕВАЯ ГОЛОВКА	TC	65325890
		TL	65325891
42 ELECTRODO	ЭЛЕКТРОДЫ	65325952	65325952
43 ALFILER PORTACHICLER	ШТОК	65325284	65325284
44 PORTACHICLER	ДЕРЖАТЕЛЬ ФОРСУНКИ	65325285	65325285
45 PORTA DIFUSOR	ДИФУЗОР-ДЕРЖАТЕЛЬ	65073960	65073960
46 DIFUSOR	РАССЕКАТЕЛЬ	65325892	65325892
47 TUVO LLAMA	СТАКАН	65325949	65325949
		TC	65325948
		TL	65325951
48 CILINDRO AIRE	ПОЛОСА ДЛЯ РЕГУЛИРОВКИ ВОЗДУХА	65325316	65325316
49 JUNTA	УПЛОТНИТЕЛЬНАЯ ПРОКЛАДКА	65324701	65324701
50 JUNTA	УПЛОТНИТЕЛЬНАЯ ПРОКЛАДКА	65325317	65325317
51 RESISTENCIAS CABEZA ANTERIOR	Перед головой нагревателя	200 W	65324208
52 RESISTENCIAS CABEZA POSTERIOR	За головой нагревателя	30 W	65324207
53 MOTORREDUCTOR	ЭЛЕКТРОПРИВОД ВОЗДУШНОЙ ЗАСЛОНКИ	SI 4-5 B0.37/6 3N30 L	65325269
54 TAPA	КРЫШКА	65325268	65325268
55 TEMPORIZADOR	таймер	65325897	65325897
56 TERMOSTATO	ТЕРМОСТАТ	LOVATO TM-P	65325309
		2455RC-9098-506	65325970
57 GRUPO CABEZA DE COMBUSTION	ОГНЕВАЯ ГОЛОВКА В БЛОКЕ	TC	65325971
		TL	65325971

TC = Testa corta / Short Head / Tete courte / Cabeza corta / КОРОТКАЯ ОГНЕВАЯ ГОЛОВКА TL = Testa lunga / Long Head / Tete longue / Cabeza larga / ДЛИННАЯ ОГНЕВАЯ ГОЛОВКА

# Ecoflam

## **Ecoflam Bruciatori S.p.A.**

Via Roma, 64 - 31023 Resana (TV) - Italy

Tel. +39 0423 719500

Fax +39 0423 719580

<http://www.ecoflam-burners.com>

e-mail: [export@ecoflam-burners.com](mailto:export@ecoflam-burners.com)

Società soggetta alla direzione e al coordinamento di Ariston Thermo S.p.A.

Via A. Merloni, 45 - 60044 Fabriano (AN) - CF 01026940427

Ecoflam Bruciatori S.p.A. reserves the right to make any adjustments, without prior notice, which is considered necessary or useful to its products, without affecting their main features

Ecoflam Bruciatori S.p.A. si riserva il diritto di apportare ai prodotti le modifiche che riterrà necessarie o utili, senza pregiudicarne le caratteristiche principali.

La maison Ecoflam Bruciatori S.p.A. se réserve le droit d'apporter les modifications qu'elle jugera nécessaires ou utiles à ses produits sans pour autant nuire à leurs caractéristiques principales

Ecoflam Bruciatori S.p.A. se reserva el derecho a introducir en sus productos todas las modificaciones que considere necesarias o utiles, sin perjudicar sus características

"Ecoflam Bruciatori S.p.A." оставляет за собой право вносить в конструкцию оборудования любые необходимые изменения без особого предупреждения